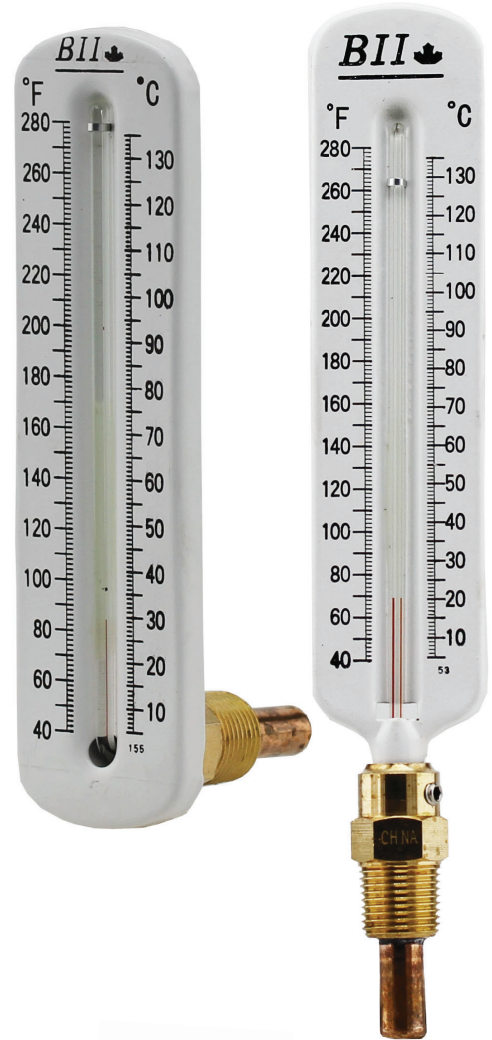


# INTRODUCTION TO TRIDICATORS, THERMOWELLS & THERMOMETERS

Tridicators, bi-metal thermometers, thermowells and hot water thermometers are commonly used in hydronic heating, plumbing and industrial systems. Tridicators monitor pressure, temperature and system altitude in boilers and pressurized hot water applications. Bi-metal thermometers provide reliable, direct temperature readings in pipes, tanks and equipment. Thermowells protect temperature instruments from pressure, flow and corrosive media while allowing for easy maintenance. Hot water thermometers are used to measure water temperature in heating and plumbing systems, ensuring safe and efficient operation.



**User Responsibility Statement:** It is the user's sole responsibility to determine the product's suitability for its intended use. For full details, visit Boshart Industries [Reference Documents](#) for our User Safety Responsibility Statement and other important documents.



25 Whaley Avenue, PO Box 310, Milverton, ON CANADA N0K 1M0

Tel: 800-561-3164

VISIT US ONLINE AT [BOSHART.COM](http://BOSHART.COM)



# THERMOWELLS

## APPLICATIONS:

A thermowell is a protective fitting installed in a pipe or vessel to house a temperature sensor, such as a thermometer or tridicator. It allows the sensor to measure temperature while being shielded from direct contact with the process fluid, protecting it from pressure, flow and corrosion, and making it possible to remove or replace the sensor without shutting down the system. Must be used with bi-metal and hot water thermometers.

## FEATURES:

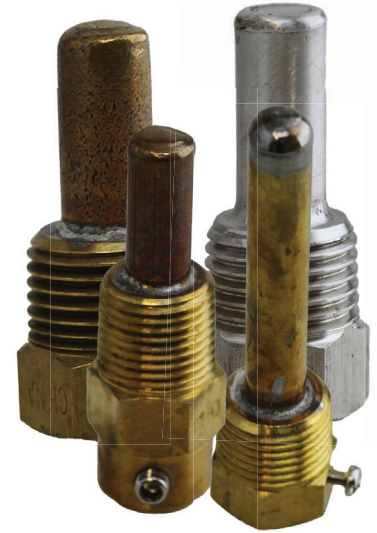
- Made from robust brass or stainless steel for use in harsh environments
- Hot water thermometer probe is hot formed from H62 leaded brass
- Allow sensors to be removed and replaced without having to drain or depressurize the system
- Available in various types and lengths to suit different installation needs

## SPECIFICATIONS:

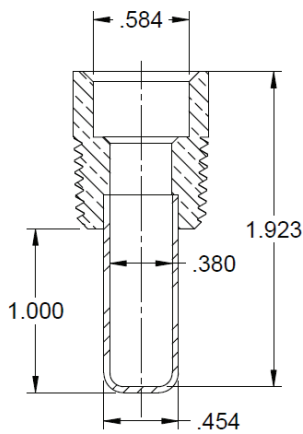
- ANSI/ASME B40.1 Pressure Gauges and Gauge Attachments

## RATINGS:

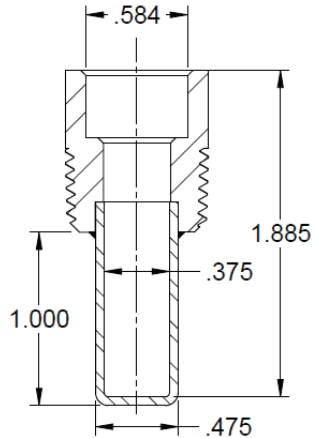
- Temperature Range: 32°F - 250°F (0°C - 120°C)
- Max Pressure Rating: 87 PSI (600 kPa)



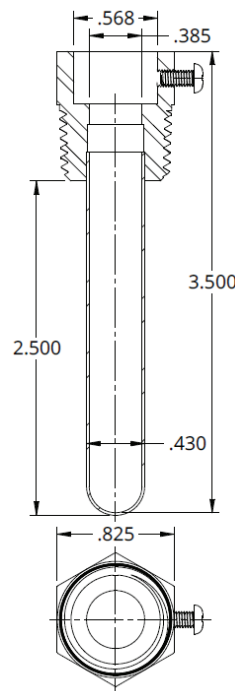
SPECIFICATIONS		
Material	Probe - H62 Leaded Brass	Body - C3604 Leaded Brass
Copper (Cu)	75.26%	57.31%
Zinc (Zn)	24.62%	40.15%
Lead (Pb)	0.03%	1.42%
Iron (Fe)	0.04%	0.38%
Tin (Sn)	0.03%	0.39%



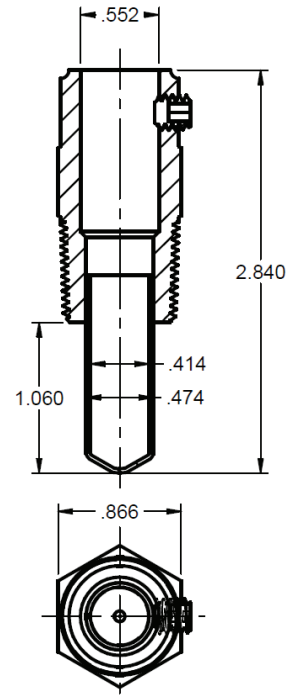
TW25BR-05MPTX1-31/32  
for the  
TW25-CB2-250-25



TW25SS-05MPTX1-31/32  
for the  
TW25-CB2-250-SS25



TW30BR-05X3-15/32  
for the  
TW30-CB2-250-25



THW8BR-05MPTX3-1/8  
for the  
THW8-A2-250  
and  
THW8-S2-250

± 2% Accuracy

**BOSHART**  
**INDUSTRIES**

25 Whaley Avenue, PO Box 310, Milverton, ON CANADA N0K 1M0  
Tel: 800-561-3164

VISIT US ONLINE AT [BOSHART.COM](http://BOSHART.COM)

For more information on installation, adjustment, repair & operation, visit Boshart Knowledge Base at [SUPPORT.BOSHART.COM](http://SUPPORT.BOSHART.COM)

