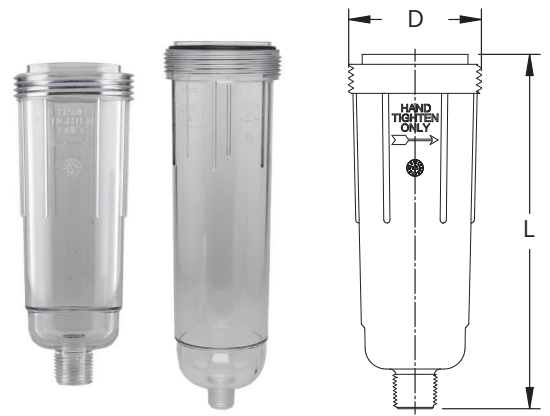


# REPLACEMENT PARTS & ACCESSORIES:

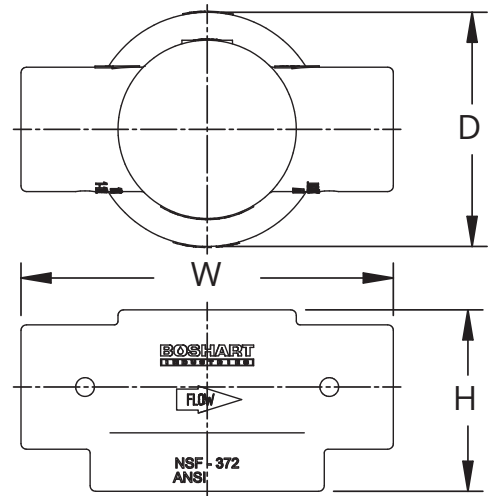
## Filter Bowl

Part No.	Description	L		D	
		in	mm	in	mm
14SF-FB10	For 1" filter	6.70	170.18	2.51	63.75
14SF-FB10XS	For 1" separator	9.35	237.49	2.51	63.75
14SF-FB15	For 1-1/2" filter & separator	9.97	253.24	2.83	71.88
14SF-FB20	For 2" filter & separator	11.15	283.21	3.41	86.61



## Filter Head

Part No.	Description	D		H	
		in	mm	in	mm
14SF-FH10-BII	For 1" filter and separator	3.12	79.25	2.42	61.47
14SF-FH15-BII	For 1-1/2" filter & separator	3.38	85.85	3.25	82.55
14SF-FH20-BII	For 2" filter & separator	3.98	101.09	4.66	118.36



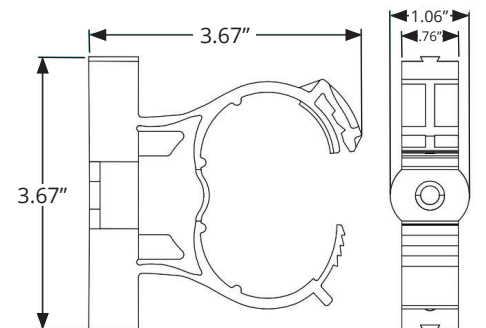
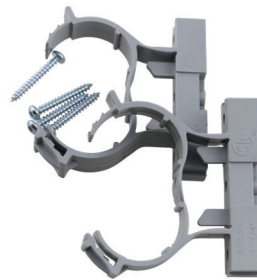
14SF-FH10-BII



14SF-FH10-BII  
&  
14SF-FH20-BII

## Clamp Kit

Part No.	Description
14SF-MCK10	For 1" filter & separator - comes with 2 clamps and hardware



**BOSHART**  
**INDUSTRIES**

25 Whaley Avenue, PO Box 310, Milverton, ON CANADA N0K 1M0  
Tel: 800-561-3164

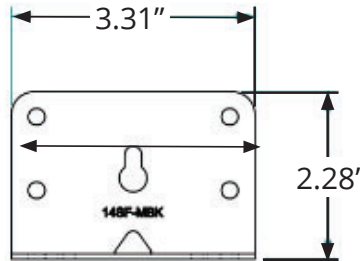
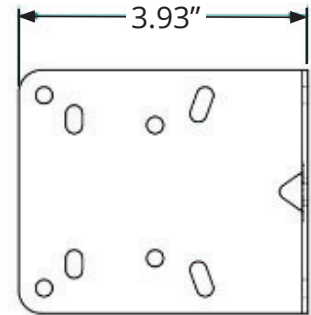
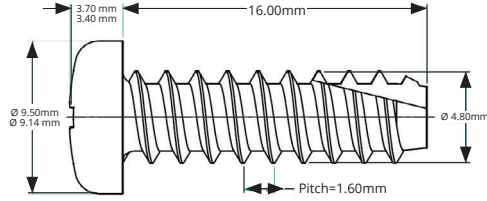
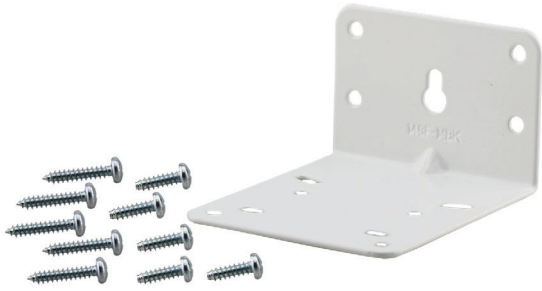
VISIT US ONLINE AT [BOSHART.COM](http://BOSHART.COM)

For more information on installation, adjustment, repair & operation, visit Boshart Knowledge Base at [SUPPORT.BOSHART.COM](http://SUPPORT.BOSHART.COM)



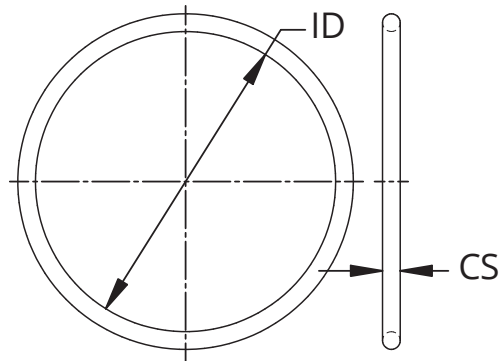
## Mounting Bracket

Part No.	Description
14SF-MBK	For 1-1/2" & 2" filter & separator - bracket with hardware



## O-Ring Kit

Part No.	Description	Dimensions
14SF-ORK10	1" - includes AS568-120 & AS568-226	AS568-120 - 0.987" ID x 0.103" CS (25.07mm ID x 2.62mm CS) AS568-226 - 1.984" ID x 0.139" CS (50.39mm ID x 3.53mm CS)
14SF-ORK15	1-1/2" - includes AS568-216 & AS568-229	AS568-216 - 1.109" ID x 0.139" CS (28.17mm ID x 3.53mm CS) AS568-229 - 2.359" ID x 0.139" CS (59.92mm ID x 3.53mm CS)
14SF-ORK20	2" - includes AS568-220 & AS568-232	AS568-220 - 1.359" ID x 0.139" CS (34.52mm ID x 3.53mm CS) AS568-232 - 2.734" ID x 0.139" CS (69.44mm ID x 3.53mm CS)



25 Whaley Avenue, PO Box 310, Milverton, ON CANADA N0K 1M0  
Tel: 800-561-3164

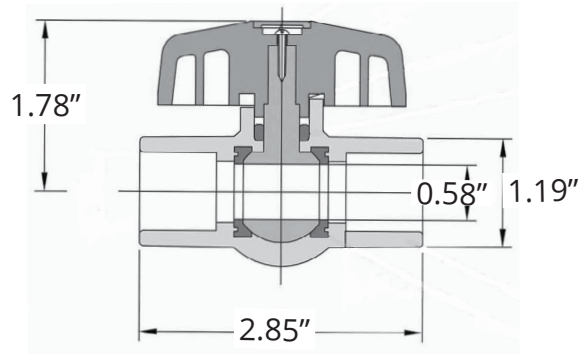
VISIT US ONLINE AT [BOSHART.COM](http://BOSHART.COM)

For more information on installation, adjustment, repair & operation, visit Boshart Knowledge Base at [SUPPORT.BOSHART.COM](http://SUPPORT.BOSHART.COM)



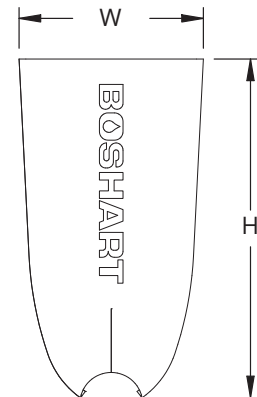
## Purve Valve

Part No.	Description
0929-05	1/2" PVC Ball Valve



## UV Cover

- Boshart UV Covers are commonly used in irrigation, well water, agricultural, and industrial filtration applications. They are designed to protect spin-out filters from UV exposure, weather, and physical damage while helping to inhibit algae growth caused by sunlight. Ideal for filters installed outdoors, in direct sunlight, or in algae-prone applications, these covers extend the lifespan of the filter body and help maintain water quality and system performance. Made from durable neoprene, they are installed by slipping over the clear filter bowl without the need for tools.



Part No.	Description	H		W	
		in	mm	in	mm
14SF-FB10-UVCG	1" Spin-Out Filter Neoprene UV Cover	6.28	159.51	3.42	86.87
	Fits 14SFHK-10, 14SFHK-10SMxxx, 14SFHK-M10, 14SFHK-M10SMxxx				
14SF-FB10XS-UVCG	1" Spin-Out Separator (Extended Bowl) Neoprene UV Cover	8.67	220.22	3.20	81.28
	Fits 14SFHK-S10, 14SFHK-S10SMxxx, 14SFHK-MS10, 14SFHK-MS10SMxxx				
14SF-FB15-UVCG	1-1/2" Spin-Out Filter/Separator Neoprene UV Cover	9.17	232.92	3.66	92.96
	Fits 14SFHK-15, 14SFHK-15SMxxx				
14SF-FB20-UVCG	2" Spin-Out Filter/Separator Neoprene UV Cover	10.20	259.08	4.65	118.11
	Fits 14SFHK-20, 14SFHK-20SMxxx				



25 Whaley Avenue, PO Box 310, Milverton, ON CANADA N0K 1M0  
Tel: 800-561-3164

VISIT US ONLINE AT BOSHART.COM

For more information on installation, adjustment, repair & operation, visit Boshart Knowledge Base at SUPPORT.BOSHART.COM

