

# 90-XMLK PRESSURE SENSORS & CONNECTORS

## FEATURES:

- Response time is <2 ms
- Accuracy is  $\pm 1\%$  of measuring range
- Analog output 4-20 mA or 0-10 V, which is proportional to the measuring range
- Available with various types of electrical connectors and fluid connectors

## SPECIFICATIONS:

- IP 67 and Nema type 4 degree of protection

## RATINGS:

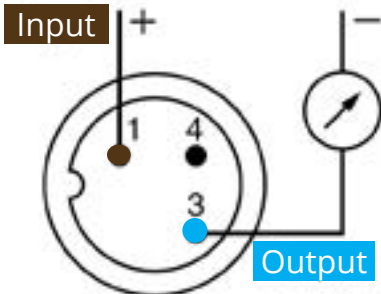
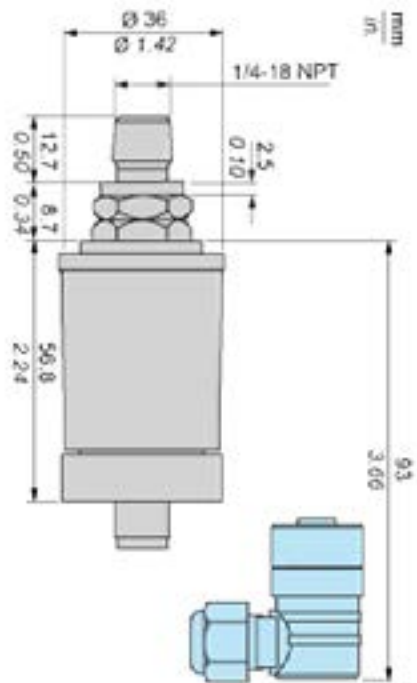
- Working Temperature Range: 32°F to 176°F (0°C to 80°C)

## CERTIFICATION:

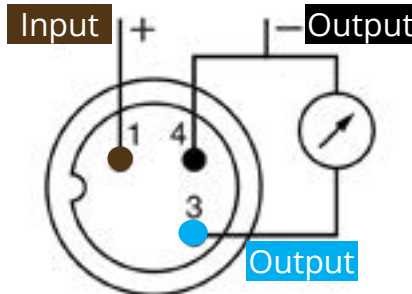
- UL 508; (UL Standard for Safety Industrial Control Equipment)
- CSA 22.2 No. 14-18; (Industrial Control Equipment)
- RoHS compliant with the exception of III-6(c)
- Comply with REACH regulation N° 1907/2006 for the declaration of Substances of Very High Concern (SVHC), authorization (Annex XIV) and restriction (Annex XVII)



MATERIAL LIST		
No.	Part Name	Material
1	Body	Polyamide 6 (PA6)
2	Fluid Entry	AISI 303 Stainless Steel
3	Pressure Measuring Cell	Ceramic
4	Gasket	Nitrile Butadiene Rubber (NBR)



2-Wire Technique (4-20 mA)



3-Wire Technique (0-10 V)

DIMENSIONS								
Part No.	Fluid Connection	Rated Supply Voltage	Analog Output Function	# of Wires	Pressure Range		Weight	
					PSI	bar	lbs	grams
90-XMLK100P2D23	1/4" MPT	24 V	4-20 mA	2	0-100 PSI	0-6.9	0.24	110.00
90-XMLK150P2D23					0-150 PSI	0-10.3		
90-XMLK200P2D23					0-200 PSI	0-13.8		
90-XMLK300P2D23					0-300 PSI	0-20.7		
90-XMLK150P2D73			0-10 V	3	0-150 PSI	0-10.3		

**User Responsibility Statement:** It is the user's sole responsibility to determine the product's suitability for its intended use. For full details, visit Boshart Industries [Reference Documents](#) for our User Safety Responsibility Statement and other important documents.

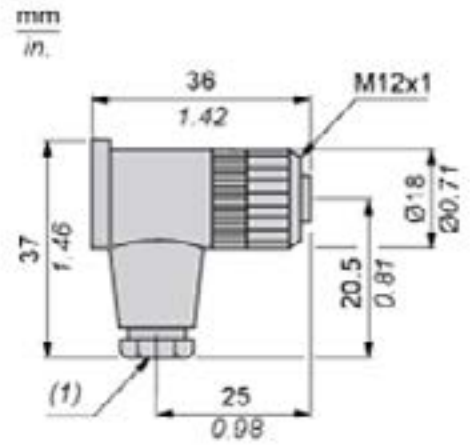
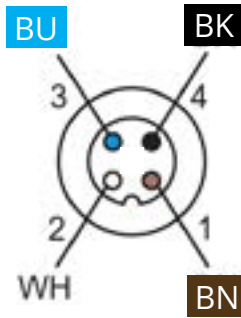


25 Whaley Avenue, PO Box 310, Milverton  
ON CANADA N0K 1M0  
Tel: 800-561-3164

VISIT US ONLINE AT [BOSHART.COM](http://BOSHART.COM)



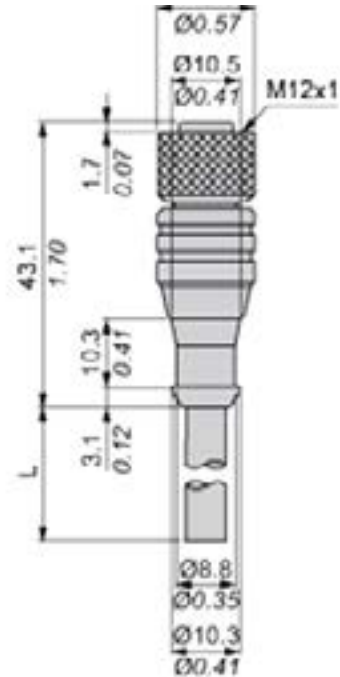
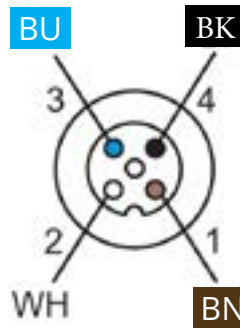
### Screw Terminal M12 Connector



Part No.	Description	Connection	Weight	
			lbs	grams
90-XZCC12FCM40B	Elbow	FPT	0.04	18.14

### Straight Pre-Wired M12 Connector

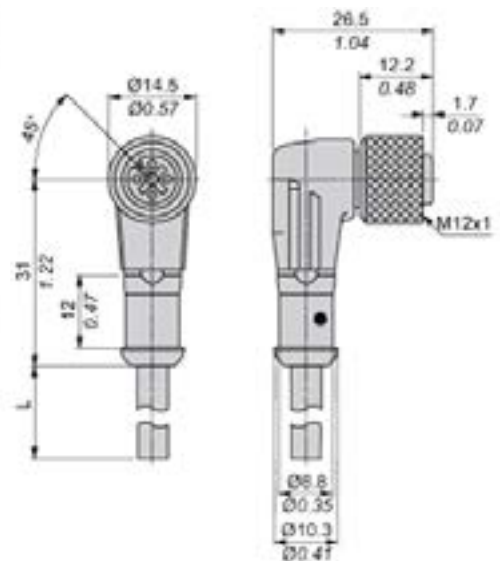
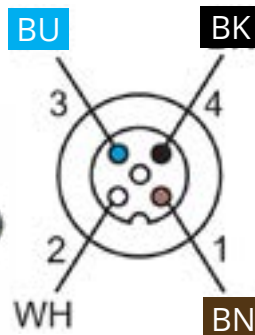
- PUR Cable for severe industrial environments
- Halogen free
- High degree of protection (IP67 and IP69K)
- 5 pin, 3-wire



Part No.	Description	Connection	Weight	
			lbs	grams
90-XZCP1141L2	2 m (6.56')	FPT	0.20	90.72
90-XZCP1141L5	5 m (16.4')		0.42	190.51
90-XZCP1141L10	10 m (32.8')		0.82	371.95

### Elbow Pre-Wired M12 Connector

- PUR Cable for severe industrial environments
- Halogen free
- High degree of protection (IP67 and IP69K)
- 5 pin, 3-wire



Part No.	Description	Connection	Weight	
			lbs	grams
90-XZCP1241L2	2 m (6.56')	FPT	0.20	90.72
90-XZCP1241L5	5 m (16.4')		0.42	190.51
90-XZCP1241L10	10 m (32.8')		0.82	371.95



25 Whaley Avenue, PO Box 310, Milverton  
 ON CANADA N0K 1M0  
 Tel: 800-561-3164

VISIT US ONLINE AT BOSHART.COM

