

SSHB52 SERIES - STAINLESS STEEL HOSE BIBB

APPLICATIONS:

- Exterior water access for hoses in residential, commercial and industrial plumbing
- General outdoor water supply points
- Potable water systems requiring lead free, corrosion resistant valves

FEATURES:

- 304 Stainless Steel body and internal components for corrosion resistance
- Angled outlet with garden hose thread (GHT) for easy hose attachment
- T-handle actuator provides comfortable turning under load

SPECIFICATIONS:

- Threads conform to ANSI/ASME B1.20.1 (Pipe Threads General Purpose Inch)
- 3/4" GHT outlet conforms to ASME B1.20.7 (Garden Hose Threads)
- Stem packing material: Dual O-ring Rubber (NBR)
- Seat material: PTFE
- 304 Stainless Steel handle
- Standard Port
- Solid Stainless Steel balls

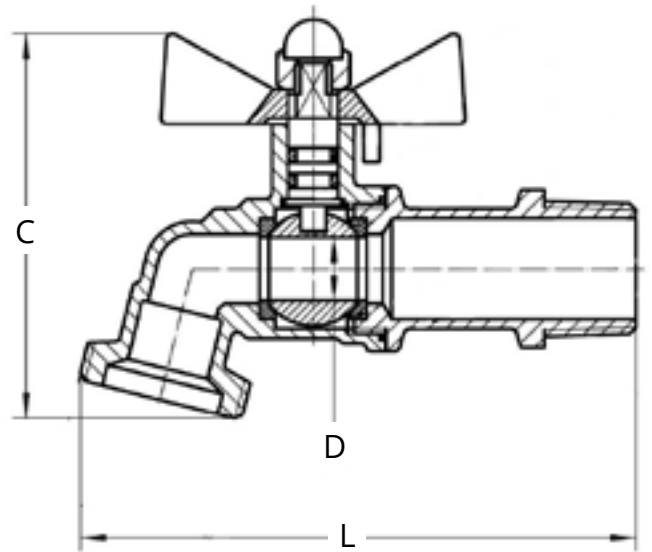
CERTIFICATIONS:

- NSF/ANSI Standard 372 Certified (Drinking Water System Components - Lead Content)
 - SS- (Stainless Steel alloys do not contain any lead 0.00% Pb)



RATINGS:

- Max Pressure Rating: 200 PSI (200 CWP)
- Max Temperature Rating: 248°F (120°C)



MATERIAL LIST

Part Name	Material
Bonnet	304 Stainless Steel
Gasket	Polytetrafluoroethylene (PTFE)
Ball Seat	Polytetrafluoroethylene (PTFE)
Ball	304 Stainless Steel
Body	304 Stainless Steel
Stem	304 Stainless Steel
O-Ring	Nitrile Butadiene Rubber (NBR)
Handle	304 Stainless Steel
Nut	304 Stainless Steel

DIMENSIONS

Part No.	Description	D		L		C		Weight	
		inches	mm	inches	mm	inches	mm	lbs	grams
SSHB52-05	1/2" MPT	0.40	10.00	2.40	61.00	3.50	88.00	0.35	160
SSHB52-07	3/4" MPT	0.40	10.00	2.40	61.00	3.60	92.00	0.40	180

User Responsibility Statement: It is the user's sole responsibility to determine the product's suitability for its intended use. For full details, visit Boshart Industries [Reference Documents](#) for our User Safety Responsibility Statement and other important documents.



25 Whaley Avenue, PO Box 310, Milverton, ON CANADA N0K 1M0
Tel: 800-561-3164

VISIT US ONLINE AT BOSHART.COM

