

STAINLESS STEEL CLAMPS 2-SSC & SSC SERIES

BOSHART
INDUSTRIES

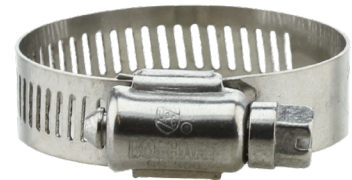
Product Booklet



2-SSC & SSC Series Clamps Introduction to Clamps Page 2



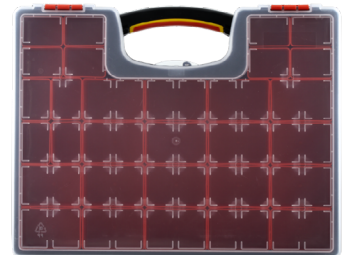
2-SSC Series Boshart Clamps Pages 3-5



SSC Series BREEZE Clamps Pages 6-8



28-CB(D)(S) Series Contractor Bins Page 9



Installation Instructions Page 10



2-SSC & SSC STAINLESS STEEL CLAMPS

Gear clamps (also called worm gear hose clamps) are metal bands with a screw mechanism that tighten the band around a hose, pipe, or fitting. When you turn the screw, it engages the slots on the band and pulls it tighter, creating a firm hold and seal. They're commonly used in plumbing, automotive, water well, HVAC and general hose-to-pipe connections because they're adjustable, reusable, and provide consistent clamping force.



CLAMP SIZE SELECTION GUIDE	
Polyethylene Pipe Size	Clamp Size
1/2"	SAE #08
3/4"	SAE #12
1"	SAE #16
1-1/4"	SAE #20
1-1/2"	SAE #24
2"	SAE #32
3"	SAE #48
4"	SAE #72

CAUTION: To be used as a guide only, the outside diameter of polyethylene pipe may vary between brands and between low (LDPE), medium (MDPE) and high (HDPE) density piping.

CLAMP SELECTION GUIDE	
Clamp Series	Corrosion Resistance
2-SSC87 & SSC87	Best
2-SSC77 & SSC77	Better
2-SSC67 & SSC67	Good



25 Whaley Avenue, PO Box 310, Milverton
ON CANADA N0K 1M0
Tel: 800-561-3164
VISIT US ONLINE AT BOSHART.COM

For more information on installation, adjustment, repair & operation, visit Boshart Knowledge Base at SUPPORT.BOSHART.COM



2-SSC SERIES STAINLESS STEEL CLAMPS

APPLICATIONS/ FEATURES:

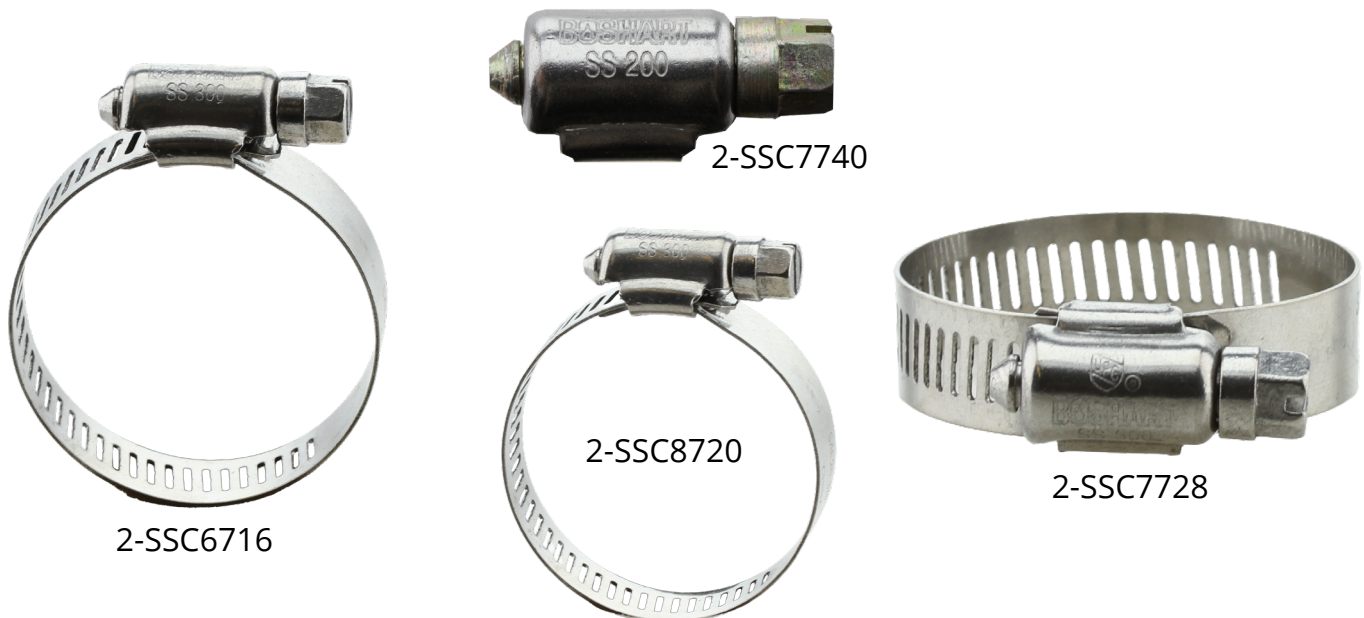
- **2-SSC67xx** series clamps offer no nickel content and can't be used where non-magnetic material is required. Suitable for plumbing in areas where corrosion is only a low to moderate risk, like garden or irrigation hoses. In any doubt upgrade your selection to the 2-SSC87 series.
- **2-SSC77xx** series clamps combine the high nickel content stainless steel and plating of the carbon screw, allowing this clamp to be used in above ground outdoor and indoor applications where corrosion is not a significant issue, such as dryer vents. This clamp can be used for all standard clamp applications.
- **2-SSC87xx** series of marine grade clamps contains a high nickel content providing strong corrosion resistance for buried waterlines and well pump installation, and is suitable for outdoor use with no shielding.

SPECIFICATION:

- Dimensions and screw threads for Standard size gear clamps conform to ANSI/SAE J1670 Type F. This standard only covers clamp sizes 6 through 104. Min/Max ranges for other sizes are not included.
- Materials conform to AISI grades.
- 2-SSC77 series conform to ASTM A240/A240M-22a - Standard Specification for Chromium and Chromium-Nickel Stainless Steel Plate, Sheet, and Strip for Pressure Vessels and for General Applications.
- Stainless Steel Band & Housing.
- Hex Screw with deep slots for quick installation.
- Band in Stainless Steel with perforations for smoother worm-drive operation.
- One piece housing design, mechanically locked to band.
- .025" band thickness.

CERTIFICATIONS:

- cUPC certified (2-SSC67xxx and 2-SSC87xxx series, 1/2" Wide band clamps only)



User Responsibility Statement: It is the user's sole responsibility to determine the product's suitability for its intended use. For full details, visit Boshart Industries [Reference Documents](#) for our User Safety Responsibility Statement and other important documents.

BOSHART 25 Whaley Avenue, PO Box 310, Milverton
ON CANADA N0K 1M0
Tel: 800-561-3164
INDUSTRIES VISIT US ONLINE AT [BOSHART.COM](#)

For more information on installation,
adjustment, repair & operation, visit
Boshart Knowledge Base at
[SUPPORT.BOSHART.COM](#)





2-SSCxxxx clamps, packaged in bags



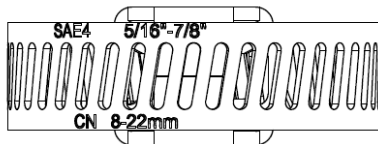
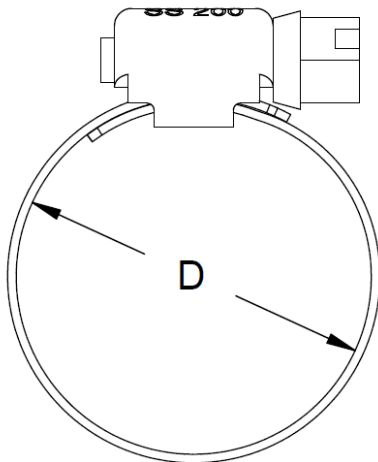
2-SSCxxxx clamps, packaged in boxes



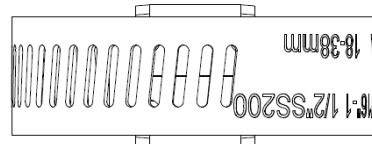
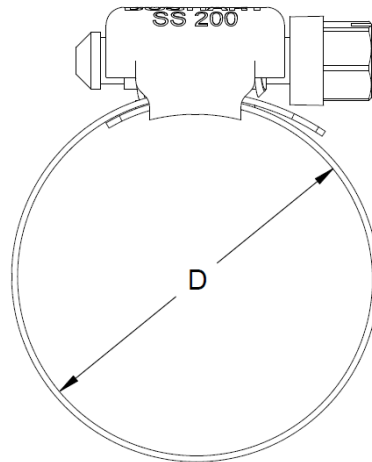
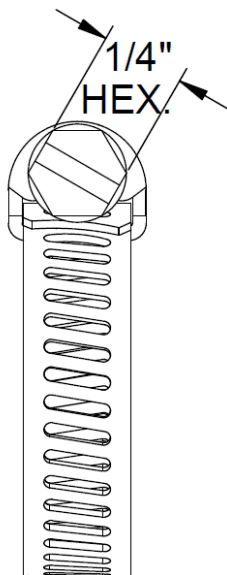
2-SSCBxxxx clamps, packaged in bulk

Material			
Part	2-SSC77xxxx	2-SSC67xxxx	2-SSC87xxxx
Band	Stainless Steel -201	Stainless Steel -201	Stainless Steel -301
Housing	Stainless Steel -201	Stainless Steel -201	Stainless Steel -301
Screw	Yellow Dichromate Plated Carbon Steel	Stainless Steel -201	Stainless Steel -304

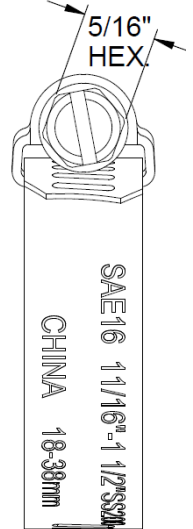
2-SSC67 and 2-SSC77 series are not recommended for direct burial or any corrosive environments such as down a well.



2-SSC Mini Clamps



2-SSC Standard Clamps



25 Whaley Avenue, PO Box 310, Milverton
ON CANADA N0K 1M0
Tel: 800-561-3164
VISIT US ONLINE AT BOSHART.COM

For more information on installation, adjustment, repair & operation, visit Boshart Knowledge Base at SUPPORT.BOSHART.COM



Boshart (BII) Clamps							2-SSC77**	2-SSC67	2-SSC87
SAE Size*	Screw Head	Band Width	D (Closed)		D (Open)		201 Grade Stainless Steel Band and Housing/ Zinc plated carbon steel screw	201 Grade Stainless Steel Band and Housing/SS screw	301 Grade Stainless Steel Band and Housing/ 304 SS Screw
			inches	mm	inches	mm			

*Only clamp sizes 6 through 104 are regulated by the SAE J1670 standard

**Material for 2-SSC77 series clamps (carbon screw) is not regulated by the SAE J1670 standard

Mini/Narrow Band Clamps, Three-piece design



4	1/4"	5/16"	1/4"	6	5/8"	16	2-SSC7704	2-SSC6704	2-SSC8704
5	1/4"	5/16"	5/16"	8	7/8"	22	2-SSC7705	2-SSC6705	2-SSC8705

Standard Clamps, Three-piece design



SAE 6	5/16"	1/2"	3/8"	10	7/8"	22	2-SSC7706	2-SSC6706	2-SSC8706
SAE 8	5/16"	1/2"	7/16"	11	1"	25	2-SSC7708	2-SSC6708	2-SSC8708
SAE 10	5/16"	1/2"	1/2"	13	1-1/16"	27	2-SSC7710	2-SSC6710	2-SSC8710
SAE 12	5/16"	1/2"	1/2"	13	1-1/4"	32	2-SSC7712	2-SSC6712	2-SSC8712
SAE 16	5/16"	1/2"	11/16"	18	1-1/2"	38	2-SSC7716	2-SSC6716	2-SSC8716
SAE 20	5/16"	1/2"	3/4"	19	1-3/4"	44	2-SSC7720	2-SSC6720	2-SSC8720
SAE 24	5/16"	1/2"	1"	25	2"	51	2-SSC7724	2-SSC6724	2-SSC8724
SAE 28	5/16"	1/2"	1-1/4"	32	2-1/4"	57	2-SSC7728	2-SSC6728	2-SSC8728
SAE 32	5/16"	1/2"	1-1/2"	38	2-1/2"	63	2-SSC7732	2-SSC6732	2-SSC8732
SAE 36	5/16"	1/2"	1-3/4"	44	2-3/4"	70	2-SSC7736	2-SSC6736	2-SSC8736
SAE 40	5/16"	1/2"	2"	51	3"	76	2-SSC7740	2-SSC6740	2-SSC8740
SAE 44	5/16"	1/2"	2-1/4"	57	3-1/4"	82	2-SSC7744	2-SSC6744	2-SSC8744
SAE 48	5/16"	1/2"	2-1/2"	64	3-1/2"	89	2-SSC7748	2-SSC6748	2-SSC8748
SAE 52	5/16"	1/2"	2-3/4"	70	3-3/4"	95	2-SSC7752	2-SSC6752	2-SSC8752
SAE 56	5/16"	1/2"	3"	76	4"	101	2-SSC7756	2-SSC6756	2-SSC8756
SAE 64	5/16"	1/2"	2-1/2"	64	4-1/2"	114	2-SSC7764	2-SSC6764	2-SSC8764
SAE 72	5/16"	1/2"	3"	76	5"	127	2-SSC7772	2-SSC6772	2-SSC8772
SAE 80	5/16"	1/2"	3-1/2"	89	5-1/2"	140	2-SSC7780	2-SSC6780	2-SSC8780
SAE 88	5/16"	1/2"	4"	102	6"	152	2-SSC7788	2-SSC6788	2-SSC8788
SAE 96	5/16"	1/2"	4-1/2"	114	6-1/2"	165	2-SSC7796	2-SSC6796	2-SSC8796
SAE 104	5/16"	1/2"	5"	127	7"	178	2-SSC77104	2-SSC67104	2-SSC87104
116	5/16"	1/2"	5-3/4"	146	7-3/4"	197	2-SSC77116	2-SSC67116	2-SSC87116
128	5/16"	1/2"	6-1/2"	165	8-1/2"	216	2-SSC77128	2-SSC67128	2-SSC87128
140	5/16"	1/2"	7-1/4"	184	9-1/4"	235	2-SSC77140	2-SSC67140	2-SSC87140
152	5/16"	1/2"	8"	203	10"	254	2-SSC77152	2-SSC67152	2-SSC87152
164	5/16"	1/2"	8-3/4"	216	10-3/4"	273	N/A	N/A	2-SSC87164
188	5/16"	1/2"	10-1/2"	267	12-1/4"	311	2-SSC77188	2-SSC67188	2-SSC87188
224	5/16"	1/2"	12-1/2"	318	14-1/2"	368	2-SSC77224	2-SSC67224	2-SSC87224
248	5/16"	1/2"	14"	356	16"	406	2-SSC77248	2-SSC67248	2-SSC87248



25 Whaley Avenue, PO Box 310, Milverton
ON CANADA N0K 1M0
Tel: 800-561-3164
VISIT US ONLINE AT BOSHART.COM

For more information on installation, adjustment, repair & operation, visit Boshart Knowledge Base at SUPPORT.BOSHART.COM



SSC SERIES STAINLESS STEEL CLAMPS

APPLICATIONS/ FEATURES:

- **SSC67xx series** clamps offer no nickel content and can't be used where non-magnetic material is required. Suitable for plumbing in areas where corrosion is only a low to moderate risk, like garden or irrigation hoses. In any doubt upgrade your selection to the SSC87 series.
- **SSC77xx series** clamps combine the high nickel content stainless steel and plating of the carbon screw, allowing this clamp to be used in above ground outdoor and indoor applications where corrosion is not a significant issue, such as dryer vents. This clamp can be used for all standard clamp applications.
- **SSC87xx series** of marine grade clamps contains a high nickel content providing strong corrosion resistance for buried waterlines and well pump installation, and is suitable for outdoor use with no shielding.

SPECIFICATIONS:

- **Dimensions and threads conform to SAE J1670 Type F
- Materials conform to AISI grades
- Stainless Steel Band & Housing
- Hex Screw with deep slots for quick installation
- Band in 300 series Stainless Steel with perforations for smoother worm-drive operation
- Standard clamps offer a four-piece design for strength and stability

MADE 
in the 
USA 

PACKAGING:

- SSCxxxx clamps, such as SSC8720, are packaged in bags of 10
- SSCXxxxx clamps, such as SSCX8720, are packaged in boxes
- SSCBxxxx clamps, such as SSCB8720, are packaged in bulk



User Responsibility Statement: It is the user's sole responsibility to determine the product's suitability for its intended use. For full details, visit Boshart Industries [Reference Documents](#) for our User Safety Responsibility Statement and other important documents.

BOSHART 25 Whaley Avenue, PO Box 310, Milverton
ON CANADA N0K 1M0
Tel: 800-561-3164
INDUSTRIES VISIT US ONLINE AT BOSHART.COM

For more information on installation,
adjustment, repair & operation, visit
Boshart Knowledge Base at
SUPPORT.BOSHART.COM





SSCxxxx clamps,
packaged in bags



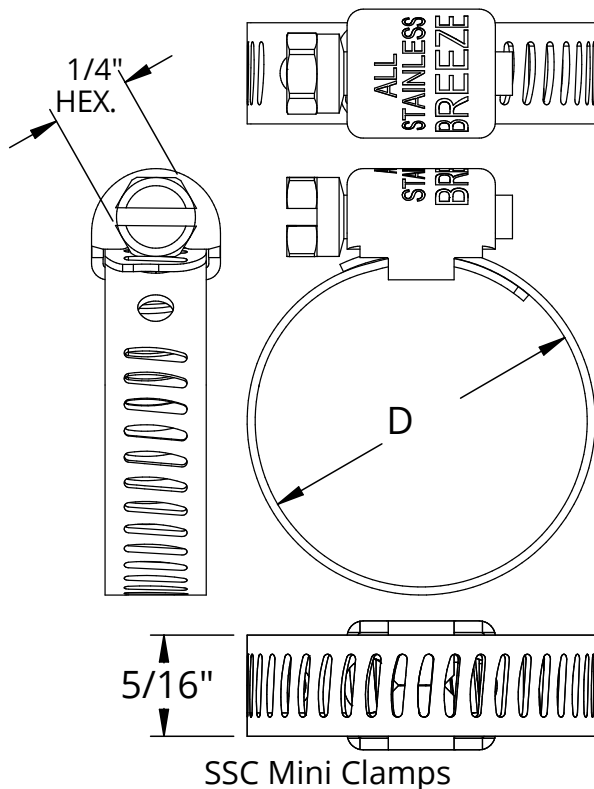
SSCXxxxx clamps,
packaged in boxes



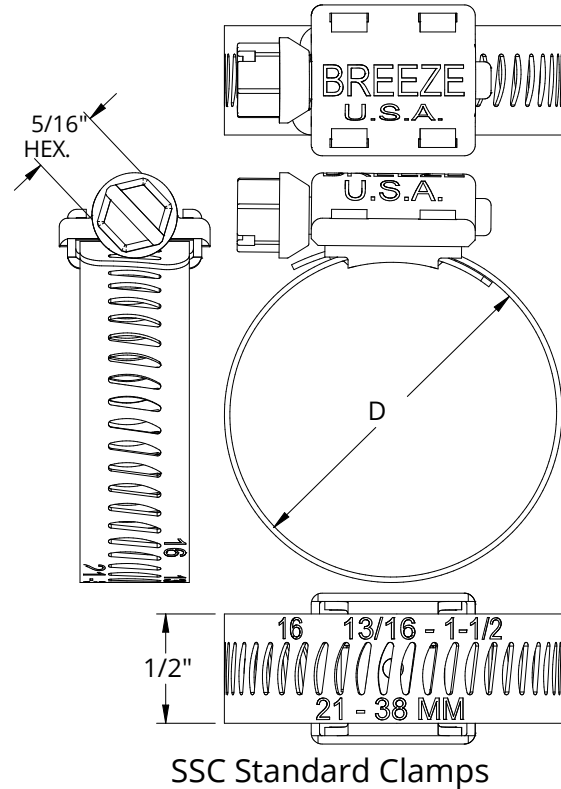
SSCBxxxx clamps,
packaged in bulk

MATERIAL			
Component	SSC77xxxx	SSC67xxxx	SSC87xxxx
Band	Stainless Steel -301 Series	Stainless Steel -301 Series	Stainless Steel -301 Series
Housing	Stainless Steel -301 Series	Stainless Steel -301 Series	Stainless Steel -301 Series
Screw	Zinc Plated Carbon Steel	Stainless Steel -410 Series	Stainless Steel -305 Series

SSC67 and SSC77 series are not recommended for direct burial or any corrosive environments such as down a well.



SSC Mini Clamps










SSC Standard Clamps



25 Whaley Avenue, PO Box 310, Milverton
ON CANADA NOK 1M0
Tel: 800-561-3164
VISIT US ONLINE AT BOSHART.COM

For more information on installation, adjustment, repair & operation, visit Boshart Knowledge Base at SUPPORT.BOSHART.COM



BREEZE® Power-seal® clamps							SSC77	SSC67	SSC87
Size	Screw Head	Band Width	A (Closed)		A (Open)		300 Grade Stainless Steel Band & Housing / Zinc plated steel screw	300 Grade Stainless Steel Band & Housing/ 410 SS screw	PREMIUM All 300 Stainless Steel Band, Housing & Screw
			in	mm	in	mm			
Mini/Narrow Band Clamps, Three-piece design									
4	1/4"	5/16"	7/32	5.6	5/8	16	SSC7704	SSC6704	SSC8704
5	1/4"	5/16"	5/16	8	11/16	17	SSC7705	SSC6705	SSC8705
Standard Clamps, Four-piece design									
6	5/16"	1/2"	7/16	11	25/32	20	SSC7706	SSC6706	**SSC8706
8	5/16"	1/2"	1/2	13	29/32	23	SSC7708	SSC6708	**SSC8708
10	5/16"	1/2"	9/16	14	1-1/16	27	SSC7710	SSC6710	**SSC8710
12	5/16"	1/2"	11/16	17	1-1/4	32	SSC7712	SSC6712	**SSC8712
16	5/16"	1/2"	13/16	21	1-1/2	38	SSC7716	SSC6716	**SSC8716
20	5/16"	1/2"	13/16	21	1-3/4	44	SSC7720	SSC6720	**SSC8720
24	5/16"	1/2"	1-1/16	27	2	51	SSC7724	SSC6724	**SSC8724
28	5/16"	1/2"	1-5/16	33	2-1/4	57	SSC7728	SSC6728	**SSC8728
32	5/16"	1/2"	1-9/16	40	2-1/2	64	SSC7732	SSC6732	**SSC8732
36	5/16"	1/2"	1-13/16	46	2-3/4	70	SSC7736	SSC6736	**SSC8736
40	5/16"	1/2"	2-1/16	52	3	76	SSC7740	SSC6740	**SSC8740
44	5/16"	1/2"	2-5/16	59	3-1/4	83	SSC7744	SSC6744	**SSC8744
48	5/16"	1/2"	2-9/16	65	3-1/2	89	SSC7748	SSC6748	**SSC8748
52	5/16"	1/2"	2-13/16	71	3-3/4	95	SSC7752	SSC6752	**SSC8752
56	5/16"	1/2"	3-1/16	78	4	102	SSC7756	SSC6756	**SSC8756
60	5/16"	1/2"	3-5/16	84	4-1/4	108	N/A	SSC6760	**SSC8760
64	5/16"	1/2"	3-9/16	91	4-1/2	114	SSC7764	SSC6764	**SSC8764
72	5/16"	1/2"	1-7/8	48	5	127	SSC7772	SSC6772	**SSC8772
80	5/16"	1/2"	2-1/2	64	5-1/2	140	SSC7780	SSC6780	**SSC8780
88	5/16"	1/2"	3-1/8	79	6	152	SSC7788	SSC6788	**SSC8788
96	5/16"	1/2"	3-5/8	92	6-1/2	165	SSC7796	SSC6796	**SSC8796
104	5/16"	1/2"	4-1/8	105	7	178	SSC77104	SSC67104	**SSC87104
128	5/16"	1/2"	5-5/8	143	8-1/2	216	SSC77128	SSC67128	SSC87128
152	5/16"	1/2"	7-1/8	181	10	254	SSC77152	SSC67152	SSC87152
188	5/16"	1/2"	9-3/8	238	12-1/4	311	SSC77188	SSC67188	SSC87188
212	5/16"	1/2"	10-7/8	276	13-3/4	349	SSC77212	SSC67212	SSC87212
224	5/16"	1/2"	11-5/8	295	14-1/2	368	SSC77224	SSC67224	SSC87224



How to Install a Worm Gear Clamp

Tools needed:

- Flat Head screwdriver
 - OR**
 - 1/4" hex-head nut driver for a 5/16" wide narrow band mini clamp
 - 5/16" hex-head nut driver for standard clamps
- you may want to use a 60 in lb slip-clutch T-wrench

Tools Required

1/4" Nut Driver for #4 & #5 Mini Clamps

5/16" Nut Driver for SAE #6 and Larger Clamps

60 Inch Pound T Handle Torque Driver



1. Select the correct type of insert fitting.

Ensure correct fitting type: polyethylene (PE) pipe requires insert fittings compatible with ASTM D2239 Standard. Whereas hose requires insert fittings with a slightly smaller barb diameter. Hose fittings are commonly referred to as king or combination nipples, or hose menders.

1. Select the Correct Clamp Size

Using the clamp range chart to select a clamp that will fit the outside diameter of the poly pipe or hose you are using. **To avoid having an excessive tail piece protruding from the housing, select a clamp that is 1/2" over the pipe diameter.

2. Prepare the Clamp

If necessary, open the clamp by turning the screw counter clockwise until the band can slide over the pipe or hose.

3. Position the Poly Pipe (PE) or Hose

Push the pipe or hose fully onto the fitting.

Poly Pipe:

Slightly undersized I.D; heat the end (hot water or torch) before installation to make pliable so it can expand when the fitting is inserted.

Hose:

Pliable material—no heating required. Clamp compresses hose into serrations for a secure seal.

4. Position the Clamp

For standard barbed fittings: place clamp 1/4" from the end (up to 1-1/4" fittings) or 3/8" from the end (1-1/2" and larger) (FIG A).

For recessed fittings: center the clamp in the recessed area of the insert fitting that has no barbs (FIG B).

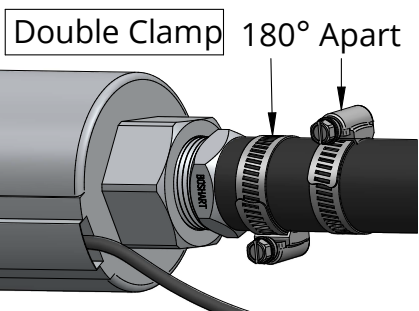
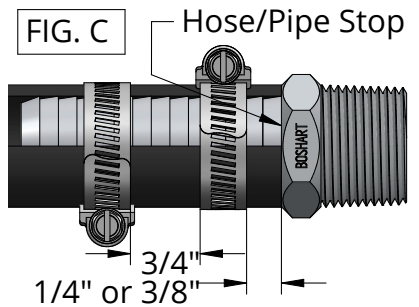
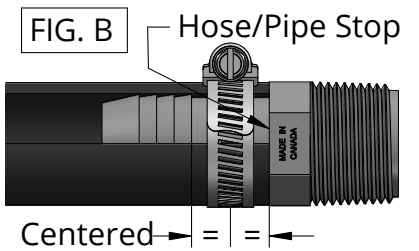
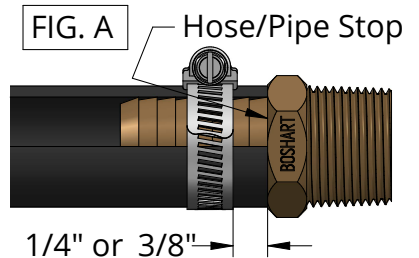
For extra-long inserts: For high-pressure or heavy-load applications **Double Clamping is recommended**, install a second clamp spaced about 3/4" apart. The housing/screw should be oriented at 180° (FIG C).

5. Tighten the Clamp

Turn the screw clockwise until snug and ensure a tight, leak-free seal.

• Mini Clamps (#4-#5): 10-12 in·lb (1.1-1.4 Nm)

• Standard Clamps (#6+): 35-45 in·lb (3.96-4.52 Nm) is typically sufficient torque for a water tight seal. **Tips:** Use a torque-limited driver (e.g., "T" nut driver with 60 in·lb (6.78 Nm) slip clutch) to prevent overtightening.



BOSHART
INDUSTRIES

25 Whaley Avenue, PO Box 310, Milverton
ON CANADA N0K 1M0
Tel: 800-561-3164

VISIT US ONLINE AT BOSHART.COM

For more information on installation, adjustment, repair & operation, visit Boshart Knowledge Base at SUPPORT.BOSHART.COM

