

BC SERIES - BRASS COMPRESSION FITTINGS

APPLICATIONS:

- Applicable for use with copper, brass, aluminum, plastic, CPVC, and PEX tubing. Plastic tubing requires insert. Not recommended for steel tubing.
- The use of long nuts in applications where vibrations exist is recommended for extra resistance.
- Suitable for use in low to medium pressure applications including grease, oil, non-potable water, vacuum, and air lines within the operating temperature range. Not recommended for gaseous media.
- **Not for use in direct burial applications.**

WARNING: Do not use compression fittings for gas connections of any kind including natural gas (NG) and liquid propane (LP). Do not use BC series leaded compression fittings for potable water applications. For potable water applications refer to Boshart's part series BC-NL (No Lead Brass Compression Fittings).

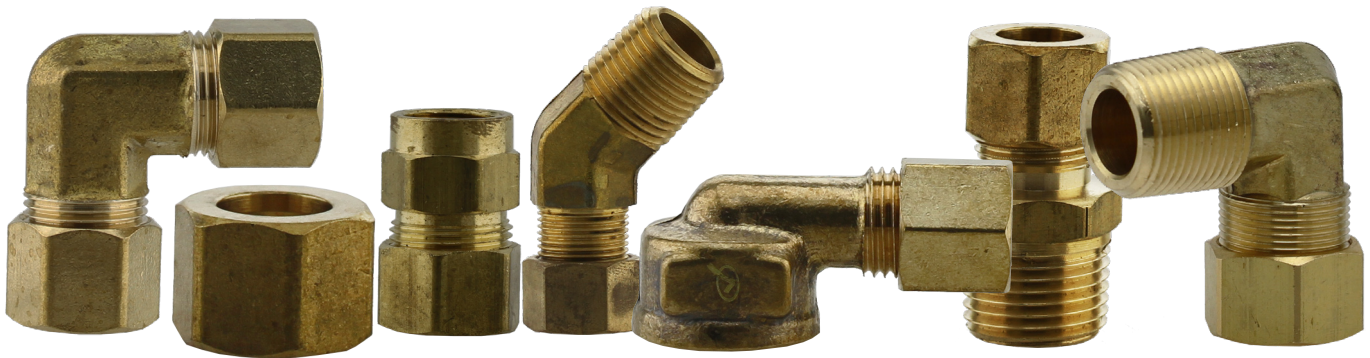
SPECIFICATIONS:

- Made from C37700 forged brass.
- Pipe threads conform to ANSI/ASME B1.20.1 (Standard Specification for Pipe Threads, General Purpose, Inch)
- Screw threads conform to ANSI/ASME B1.1 (Standard Specification for Unified Inch Screw Threads)

Material Composition C37700 Forged Brass		
Element	% min	% max
Cu	58.0	61.0
Pb	1.5	2.5
Zn	0	Rem
Fe	0	0.30

RATINGS:

- Operating temperature range: -65-250 °F (-54-121 °C)
- The maximum working pressure and temperature of the tubing used must be taken into consideration as it may be the limiting factor of the system. Always refer to the tubing specifications from the manufacturer.



Working Pressure of Brass Compression Fittings at 73 °F (22.7 °C)										
Tube OD	1/8"	3/16"	1/4"	5/16"	3/8"	7/16"	1/2"	5/8"	3/4"	7/8"
Thread Size-B	5/16-24	3/8-24	7/16-24	1/2-24	9/16-24	5/8-24	11/16-20	13/16-18	1-18	1-1/8-18
Working Pressure (PSI)	400	400	300	300	200	200	200	150	100	75

Working pressures in the chart above should be used as a guide only. The maximum working pressure and temperature of the tubing used must be taken into consideration as it may be the limiting factor of the system. Always refer to the tubing specifications from the manufacturer.

Always refer to and install all compression fittings in accordance with applicable national and local plumbing and building codes. It is the sole responsibility of the end user to ensure the product meets all codes and regulations for the application in which the product will be used.

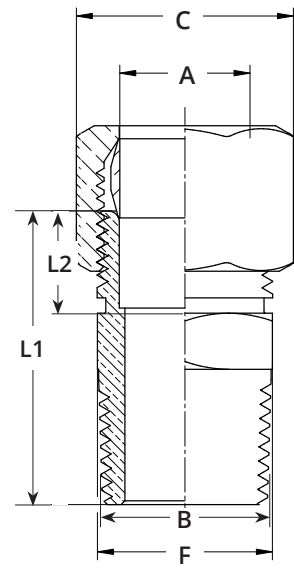
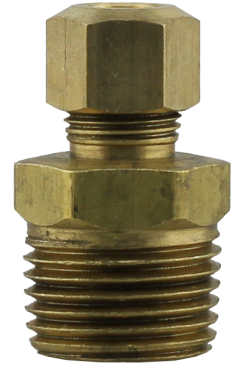


25 Whaley Avenue, PO Box 310, Milverton, ON CANADA N0K 1M0
Tel: 800-561-3164

boshart.com ♦ blog.boshart.com

BC-68 SERIES - COMP x MPT COUPLING

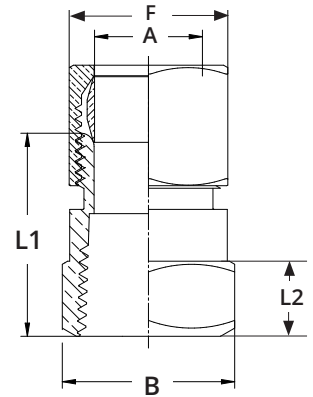
DIMENSIONS											
Part No.	Size (Comp x MPT) (A x B)	L1		L2		A		F		C	
		in	mm	in	mm	in	mm	in	mm	in	mm
BC-68-0202	1/8" x 1/8" MPT	0.846	21.50	0.256	6.50	0.130	3.30	0.437	11.11	0.375	9.53
BC-68-0302	3/16" x 1/8" MPT	0.906	23.00	0.295	7.50	0.192	4.88	0.437	11.11	0.437	11.11
BC-68-0304	3/16" x 1/4" MPT	0.945	24.00	0.295	7.50	0.192	4.88	0.562	14.28	0.437	11.11
BC-68-0402	1/4" x 1/8" MPT	0.965	21.97	0.312	7.92	0.255	6.48	0.437	11.11	0.500	12.70
BC-68-0404	1/4" x 1/4" MPT	0.939	23.85	0.312	7.92	0.255	6.48	0.562	14.28	0.500	12.70
BC-68-0406	1/4" x 3/8" MPT	1.030	26.16	0.315	8.00	0.255	6.48	0.687	17.46	0.500	12.70
BC-68-0408	1/4" x 1/2" MPT	1.060	26.92	0.305	7.75	0.255	6.48	0.875	22.22	0.500	12.70
BC-68-0502	5/16" x 1/8" MPT	0.945	24.00	0.354	9.00	0.318	8.08	0.500	12.70	0.562	14.28
BC-68-0504	5/16" x 1/4" MPT	1.004	25.50	0.354	9.00	0.318	8.08	0.562	14.28	0.562	14.28
BC-68-0506	5/16" x 3/8" MPT	1.037	26.34	0.340	8.64	0.318	8.08	0.687	17.46	0.562	14.28
BC-68-0508	5/16" x 1/2" MPT	1.142	29.00	0.354	9.00	0.318	8.08	0.875	22.22	0.562	14.28
BC-68-0602	3/8" x 1/8" MPT	0.945	24.00	0.360	9.14	0.382	9.70	0.562	14.28	0.625	15.88
BC-68-0604	3/8" x 1/4" MPT	1.000	25.40	0.370	9.40	0.382	9.70	0.562	14.28	0.625	15.88
BC-68-0606	3/8" x 3/8" MPT	1.060	26.92	0.360	9.14	0.382	9.70	0.687	17.46	0.625	15.88
BC-68-0608	3/8" x 1/2" MPT	1.150	29.21	0.360	9.14	0.382	9.70	0.875	22.22	0.625	15.88
BC-68-0612	3/8" x 3/4" MPT	1.220	31.00	0.362	9.20	0.382	9.70	1.063	26.99	0.625	15.88
BC-68-0706	7/16" x 3/8" MPT	1.170	29.72	0.360	9.14	0.444	11.28	0.680	17.23	0.687	17.46
BC-68-0804	1/2" x 1/4" MPT	1.059	26.90	0.402	10.20	0.507	12.88	0.687	17.46	0.750	19.05
BC-68-0806	1/2" x 3/8" MPT	1.140	28.96	0.400	10.16	0.507	12.88	0.687	17.46	0.750	19.05
BC-68-0808	1/2" x 1/2" MPT	1.193	30.30	0.400	10.16	0.507	12.88	0.875	22.22	0.750	19.05
BC-68-0812	1/2" x 3/4" MPT	1.260	32.00	0.402	10.20	0.507	12.88	1.063	26.99	0.750	19.05
BC-68-1006	5/8" x 3/8" MPT	1.130	28.70	0.413	10.50	0.632	16.05	0.875	22.22	0.875	22.22
BC-68-1008	5/8" x 1/2" MPT	1.235	31.37	0.413	10.50	0.632	16.05	0.875	22.22	0.875	22.22
BC-68-1012	5/8" x 3/4" MPT	1.315	33.40	0.445	11.30	0.632	16.05	1.063	26.99	0.875	22.22
BC-68-1208	3/4" x 1/2" MPT	1.594	40.50	0.551	14.00	0.758	19.25	1.000	25.40	1.125	28.58
BC-68-1212	3/4" x 3/4" MPT	1.390	35.30	0.512	13.00	0.758	19.25	1.063	26.99	1.125	28.58
BC-68-1408	7/8" x 1/2" MPT	1.260	32.00	0.425	10.80	0.883	22.42	1.125	28.58	1.250	31.75
BC-68-1412	7/8" x 3/4" MPT	1.300	33.02	0.425	10.80	0.883	22.42	1.125	28.58	1.250	31.75
BC-68-1416	7/8" x 1" MPT	1.476	37.50	0.425	10.80	0.883	22.42	1.375	34.92	1.250	31.75



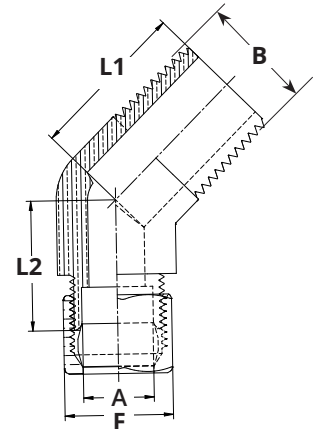
BC-66 SERIES - COMP x FPT COUPLING



DIMENSIONS									
Part No.	Size (Comp x FPT) (A x B)	L1		L2		A		F	
		in	mm	in	mm	in	mm	in	mm
BC-66-0402	1/4" x 1/8" FPT	0.827	21.00	0.315	8.00	0.255	6.48	0.500	12.70
BC-66-0404	1/4" x 1/4" FPT	0.827	21.00	0.315	8.00	0.255	6.48	0.500	12.70
BC-66-0504	5/16" x 1/4" FPT	0.866	22.00	0.315	8.00	0.318	8.08	0.562	14.28
BC-66-0506	5/16" x 3/8" FPT	0.886	22.50	0.315	8.00	0.318	8.08	0.562	14.28
BC-66-0602	3/8" x 1/8" FPT	0.854	21.70	0.236	6.00	0.382	9.70	0.625	15.88
BC-66-0604	3/8" x 1/4" FPT	0.886	22.50	0.315	8.00	0.382	9.70	0.625	15.88
BC-66-0606	3/8" x 3/8" FPT	0.891	22.64	0.311	7.91	0.382	9.70	0.625	15.88
BC-66-0608	3/8" x 1/2" FPT	1.006	25.55	0.381	9.68	0.382	9.70	0.625	15.88
BC-66-0806	1/2" x 3/8" FPT	0.965	24.50	0.315	8.00	0.507	12.88	0.750	19.05
BC-66-1006	5/8" x 3/8" FPT	1.063	27.00	0.375	9.53	0.632	16.05	0.875	22.22
BC-66-1008	5/8" x 1/2" FPT	1.060	26.92	0.375	9.53	0.632	16.05	0.875	22.22
BC-66-1012	5/8" x 3/4" FPT	1.240	31.50	0.807	20.50	0.632	16.05	0.875	22.22
BC-66-1412	7/8" x 3/4" FPT	1.245	31.62	0.800	20.32	0.883	22.42	1.250	31.75



BC-74 SERIES - COMP x MPT 45° ELBOW



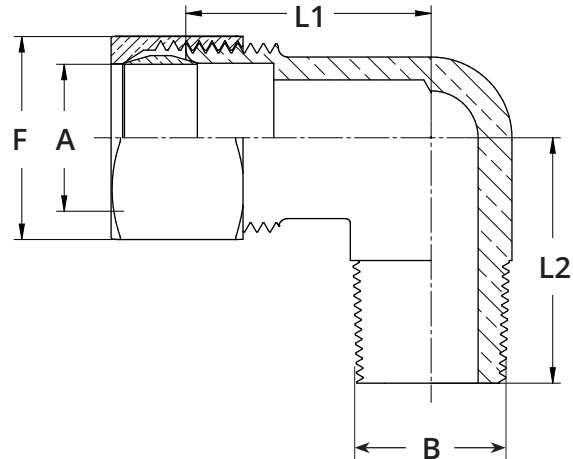
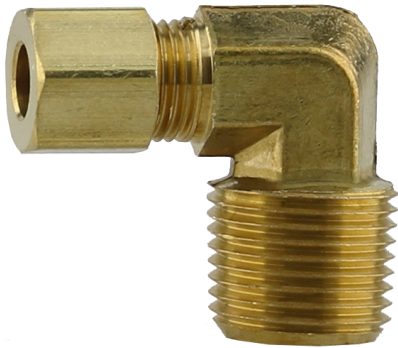
DIMENSIONS									
Part No.	Size (Comp x MPT) (A x B)	L2		L1		F		A	
		in	mm	in	mm	in	mm	in	mm
BC-74-0404	1/4" x 1/4" MPT	0.59	14.99	0.84	21.34	0.500	12.70	0.255	6.48
BC-74-0606	3/8" x 3/8" MPT	0.75	19.05	0.95	24.13	0.625	15.88	0.382	9.70
BC-74-0808	1/2" x 1/2" MPT	0.94	23.88	1.14	28.96	0.750	19.05	0.507	12.88

BOSHART
INDUSTRIES

25 Whaley Avenue, PO Box 310, Milverton, ON CANADA N0K 1M0
Tel: 800-561-3164

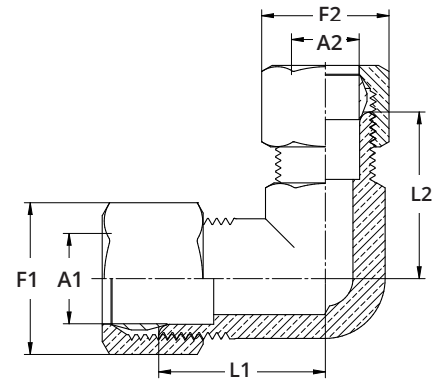
boshart.com ♦ blog.boshart.com

BC-69 SERIES - COMP x MPT 90° ELBOW



DIMENSIONS									
Part No.	Size (Comp x MPT) (A x B)	L1		L2		A		F	
		in	mm	in	mm	in	mm	in	mm
BC-69-0202	1/8" x 1/8" MPT	0.598	15.20	0.669	17.00	0.130	3.30	0.375	9.53
BC-69-0302	3/16" x 1/8" MPT	0.600	15.24	0.690	17.53	0.192	4.88	0.437	11.11
BC-69-0304	3/16" x 1/4" MPT	0.640	16.26	0.930	23.62	0.192	4.88	0.437	11.11
BC-69-0402	1/4" x 1/8" MPT	0.605	15.37	0.737	18.72	0.255	6.48	0.500	12.70
BC-69-0404	1/4" x 1/4" MPT	0.625	15.88	0.858	21.80	0.255	6.48	0.500	12.70
BC-69-0406	1/4" x 3/8" MPT	0.685	17.40	0.925	23.50	0.255	6.48	0.500	12.70
BC-69-0502	5/16" x 1/8" MPT	0.610	15.50	0.750	19.05	0.318	8.08	0.562	14.28
BC-69-0504	5/16" x 1/4" MPT	0.610	15.50	0.750	19.05	0.318	8.08	0.562	14.28
BC-69-0506	5/16" x 3/8" MPT	0.748	19.00	0.925	23.50	0.318	8.08	0.562	14.28
BC-69-0602	3/8" x 1/8" MPT	0.735	18.66	0.825	20.95	0.382	9.70	0.625	15.88
BC-69-0604	3/8" x 1/4" MPT	0.735	18.60	0.827	21.00	0.382	9.70	0.625	15.88
BC-69-0606	3/8" x 3/8" MPT	0.807	20.50	0.925	23.50	0.382	9.70	0.625	15.88
BC-69-0608	3/8" x 1/2" MPT	0.906	23.00	1.118	28.40	0.382	9.70	0.625	15.88
BC-69-0612	3/8" x 3/4" MPT	1.030	26.16	1.190	30.23	0.382	9.70	0.625	15.88
BC-69-0808	1/2" x 1/2" MPT	0.950	24.13	1.125	28.58	0.507	12.88	0.750	19.05
BC-69-1006	5/8" x 3/8" MPT	1.063	27.00	1.161	29.50	0.632	16.05	0.875	22.22
BC-69-1008	5/8" x 1/2" MPT	1.102	28.00	1.299	33.00	0.632	16.05	0.875	22.22
BC-69-1212	3/4" x 3/4" MPT	1.181	30.00	1.429	36.30	0.758	19.25	1.125	28.58

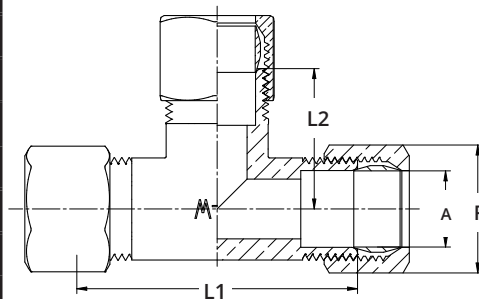
BC-65 SERIES - COMP 90° ELBOW



DIMENSIONS													
Part No.	Size (Comp x Comp) (A1 x A2)	L1		L2		A1		A2		F1		F2	
		in	mm	in	mm	in	mm	in	mm	in	mm	in	mm
BC-65-02	1/8" x 1/8"	0.622	15.80	0.622	15.80	0.130	3.30	0.130	3.30	0.375	9.53	0.375	9.53
BC-65-03	3/16" x 3/16"	0.663	16.85	0.663	16.85	0.192	4.88	0.192	4.88	0.437	11.11	0.437	11.11
BC-65-04	1/4" x 1/4"	0.595	15.11	0.595	15.11	0.255	6.48	0.255	6.48	0.500	12.70	0.500	12.70
BC-65-05	5/16" x 5/16"	0.665	16.89	0.665	16.89	0.318	8.08	0.318	8.08	0.562	14.28	0.562	14.28
BC-65-06	3/8" x 3/8"	0.735	18.67	0.735	18.67	0.382	9.70	0.382	9.70	0.625	15.88	0.625	15.88
BC-65-08	1/2" x 1/2"	0.921	23.40	0.921	23.40	0.507	12.88	0.507	12.88	0.750	19.05	0.750	19.05
BC-65-10	5/8" x 5/8"	1.047	26.59	1.047	26.59	0.632	16.05	0.632	16.05	0.875	22.22	0.875	22.22
BC-65-14	7/8" x 7/8"	1.380	35.05	1.380	35.05	0.883	22.42	0.883	22.42	1.250	31.75	1.250	31.75
BC-65R-0806	1/2" x 3/8"	0.801	20.35	0.815	20.70	0.507	12.88	0.382	9.70	0.750	19.05	0.625	15.88
BC-65R-1006	5/8" x 3/8"	1.010	25.65	0.979	24.87	0.632	16.05	0.382	9.70	0.875	22.22	0.625	15.88
BC-65R-1008	5/8" x 1/2"	1.102	28.00	1.299	33.00	0.632	16.05	0.507	12.88	0.875	22.22	0.750	19.05

BC-64 SERIES - COMP TEE

DIMENSIONS									
Part No.	Size (Comp) (A)	L1		L2		A		F	
		in	mm	in	mm	in	mm	in	mm
BC-64-02	1/8"	1.218	30.93	0.609	15.47	0.130	3.30	0.375	9.53
BC-64-03	3/16"	1.180	29.97	0.590	14.99	0.192	4.88	0.437	11.11
BC-64-04	1/4"	1.240	31.50	0.620	15.75	0.255	6.48	0.500	12.70
BC-64-05	5/16"	1.450	36.84	0.725	18.42	0.318	8.08	0.562	14.28
BC-64-06	3/8"	1.468	37.29	0.738	18.75	0.382	9.70	0.625	15.88
BC-64-08	1/2"	1.880	47.76	0.940	23.88	0.507	12.88	0.750	19.05
BC-64-10	5/8"	2.120	53.84	1.060	26.92	0.632	16.05	0.875	22.22
BC-64-14	7/8"	2.520	64.00	1.260	32.00	0.883	22.42	1.250	31.75

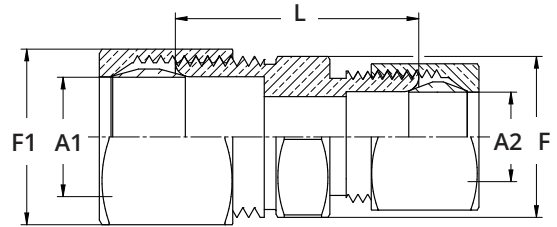
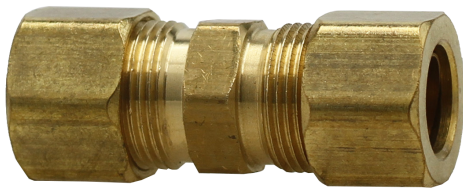


BOSHART
INDUSTRIES

25 Whaley Avenue, PO Box 310, Milverton, ON CANADA N0K 1M0
Tel: 800-561-3164

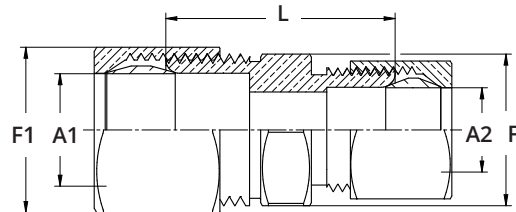
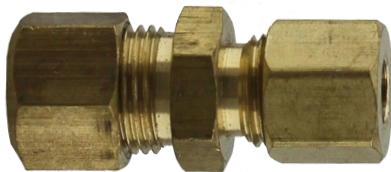
boshart.com blog.boshart.com

BC-62 SERIES - COMP UNION COUPLING



DIMENSIONS											
Part No.	Size (Comp x Comp) (A1 x A2)	L		A1		A2		F1		F	
		in	mm	in	mm	in	mm	in	mm	in	mm
BC-62-02	1/8" x 1/8"	0.640	16.26	0.130	3.30	0.130	3.30	0.375	9.53	0.313	7.94
BC-62-03	3/16" x 3/16"	0.709	18.00	0.192	4.88	0.192	4.88	0.437	11.11	0.375	9.53
BC-62-04	1/4" x 1/4"	0.790	20.07	0.255	6.48	0.255	6.48	0.500	12.70	0.437	11.11
BC-62-05	5/16" x 5/16"	0.870	22.10	0.318	8.08	0.318	8.08	0.562	14.28	0.500	12.70
BC-62-06	3/8" x 3/8"	0.968	24.58	0.382	9.70	0.382	9.70	0.625	15.88	0.562	14.28
BC-62-07	7/16" x 7/16"	1.039	26.40	0.444	11.28	0.444	11.28	0.687	17.46	0.625	15.88
BC-62-08	1/2" x 1/2"	1.093	27.76	0.507	12.88	0.507	12.88	0.750	19.05	0.687	17.46
BC-62-10	5/8" x 5/8"	1.125	28.58	0.632	16.05	0.632	16.05	0.875	22.22	0.813	20.64
BC-62-12	3/4" x 3/4"	1.260	32.00	0.758	19.25	0.758	19.25	1.125	28.58	1.000	25.40
BC-62-14	7/8" x 7/8"	1.145	29.08	0.883	22.42	0.883	22.42	1.250	31.75	1.125	28.58

BC-62R SERIES - COMP REDUCING UNION COUPLING



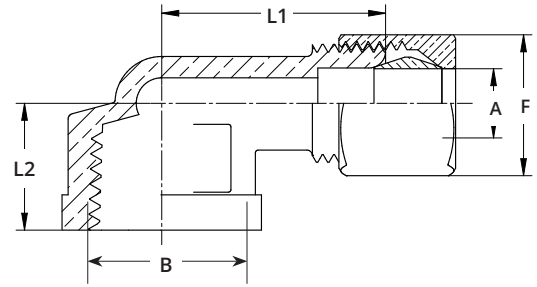
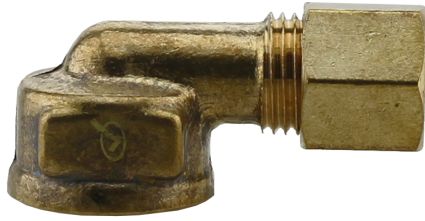
DIMENSIONS											
Part No.	Size (Comp x Comp) (A1 x A2)	L		A1		A2		F1		F	
		in	mm	in	mm	in	mm	in	mm	in	mm
BC-62R-0402	1/4" x 1/8"	0.733	18.62	0.255	6.48	0.130	3.30	0.500	12.70	0.437	11.11
BC-62R-0403	1/4" x 3/16"	0.763	19.37	0.255	6.48	0.192	4.88	0.500	12.70	0.437	11.11
BC-62R-0504	5/16" x 1/4"	0.809	20.56	0.318	8.08	0.255	6.48	0.562	14.28	0.562	14.28
BC-62R-0604	3/8" x 1/4"	0.895	22.73	0.382	9.70	0.255	6.48	0.625	15.88	0.562	14.28
BC-62R-0605	3/8" x 5/16"	0.937	23.81	0.382	9.70	0.318	8.08	0.625	15.88	0.562	14.28
BC-62R-0806	1/2" x 3/8"	1.035	26.29	0.507	12.88	0.382	9.70	0.750	19.05	0.687	17.46
BC-62R-1006	5/8" x 3/8"	1.035	26.29	0.632	16.05	0.382	9.70	0.875	22.22	0.813	20.64
BC-62R-1008	5/8" x 1/2"	1.045	26.54	0.632	16.05	0.507	12.88	0.875	22.22	0.813	20.64

BOSHART
INDUSTRIES

25 Whaley Avenue, PO Box 310, Milverton, ON CANADA N0K 1M0
Tel: 800-561-3164

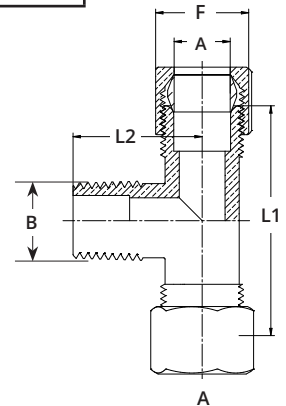
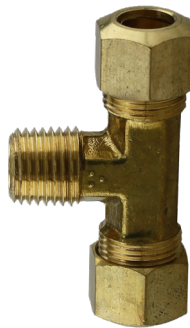
boshart.com ♦ blog.boshart.com

BC-70 SERIES - COMP x FPT 90° ELBOW



DIMENSIONS									
Part No.	Size (Comp x FPT) (A x B)	L1		L2		A		F	
		in	mm	in	mm	in	mm	in	mm
BC-70-0404	1/4" X 1/4" FPT	0.803	20.40	0.453	11.50	0.255	6.48	0.500	12.70

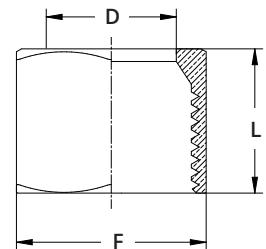
BC-72 SERIES - MALE BRANCH TEE



DIMENSIONS									
Part No.	Size (Comp x Comp x MPT) (A x A x B)	L1		L2		A		F	
		in	mm	in	mm	in	mm	in	mm
BC-72-0604	3/8" x 3/8" x 1/4" MPT	1.468	37.29	0.984	25.00	0.382	9.70	0.625	15.88

BC-61 SERIES - COMPRESSION NUT

DIMENSIONS							
Part No.	Size	L		F		D	
		in	mm	in	mm	in	mm
BC-61-03	3/16"	0.410	10.41	0.437	11.11	0.187	4.76
BC-61-04	1/4"	0.437	11.10	0.500	12.70	0.250	6.35
BC-61-05	5/16"	0.440	11.18	0.562	14.28	0.313	7.94
BC-61-06	3/8"	0.460	11.68	0.625	15.88	0.375	9.52
BC-61-08	1/2"	0.562	14.27	0.750	19.05	0.500	12.70
BC-61-10	5/8"	0.563	14.30	0.875	22.22	0.625	15.88
BC-61-12	3/4"	0.688	17.48	1.125	28.58	0.750	19.05
BC-61-14	7/8"	0.620	15.75	1.250	31.75	0.875	22.22



BOSHART
INDUSTRIES

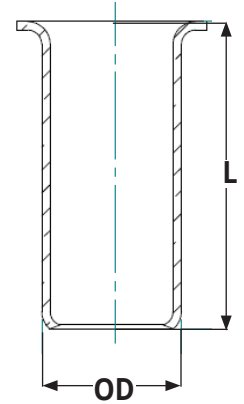
25 Whaley Avenue, PO Box 310, Milverton, ON CANADA N0K 1M0
Tel: 800-561-3164

boshart.com ♦ blog.boshart.com

BC-61PNL SERIES - COMPRESSION STIFFENER INSERT

(For use with Poly tubing)

DIMENSIONS						
Part No.	Fits Poly Tube		OD		L	
	OD	ID	in	mm	in	mm
BC-61P-02NL	1/8"	0.062	0.081	2.057	0.460	11.68
BC-61P-03NL	3/16"	0.138	0.137	3.480	0.450	11.43
BC-61P-04NL	1/4"	0.170	0.164	4.166	0.500	12.70
BC-61P-05NL	5/16"	0.187	0.188	4.780	0.520	13.21
BC-61P-06NL	3/8"	0.250	0.250	6.350	0.550	13.97
BC-61P-08NL	1/2"	0.375	0.370	9.398	0.725	18.42
BC-61P-10NL	5/8"	0.500	0.485	12.32	0.900	22.86



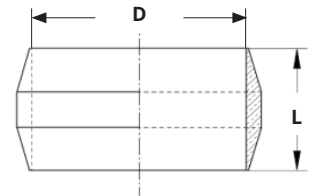
BC-60 SERIES - BRASS STANDARD COMPRESSION SLEEVE FOR COPPER & CPVC

(Made from C3604 Brass)

(BC-60P SLEEVES ARE RECOMMENDED FOR PLASTIC TUBING)

(BC-260 SLEEVES ARE RECOMMENDED FOR NYLON TUBING)

DIMENSIONS					
Part No.	Size	L		D	
		in	mm	in	mm
BC-60-02	1/8"	0.19	4.83	0.130	3.30
BC-60-03	3/16"	0.22	5.59	0.192	4.88
BC-60-04	1/4"	0.25	6.35	0.255	6.48
BC-60-05	5/16"	0.25	6.35	0.318	8.08
BC-60-06	3/8"	0.25	6.35	0.382	9.70
BC-60-07	7/16"	0.31	7.87	0.444	11.28
BC-60-08	1/2"	0.31	7.87	0.507	12.88
BC-60-10	5/8"	0.32	8.13	0.632	16.05
BC-60-12	3/4"	0.44	11.2	0.758	19.25
BC-60-14	7/8"	0.41	10.4	0.883	22.42



**BC-60 series standard sleeve is suitable in low to medium pressure applications for gasoline, grease, oil, water vacuum and air lines. Sleeve can face either direction upon installation.

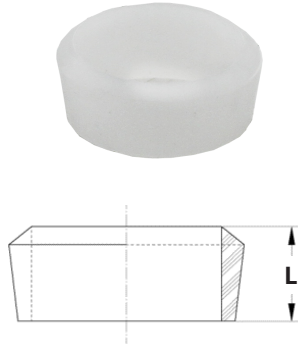
BOSHART
INDUSTRIES

25 Whaley Avenue, PO Box 310, Milverton, ON CANADA N0K 1M0
Tel: 800-561-3164

boshart.com ♦ blog.boshart.com

BC-60P SERIES - PLASTIC (ACETAL) COMPRESSION SLEEVE RECOMMENDED FOR POLY & PEX TUBING

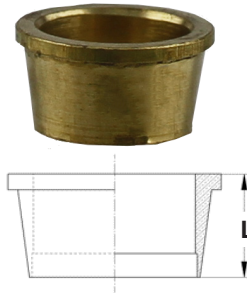
DIMENSIONS			
Part No.	Size	L	
		in	mm
BC-60P-04	1/4"	0.20	5.08
BC-60P-05	5/16"	0.19	4.83
BC-60P-06	3/8"	0.22	5.59
BC-60P-08	1/2"	0.27	6.86
BC-60P-10	5/8"	0.22	5.59



** BC-60P series is for use with poly tubing to provide less risk of damage to tubing. When using with poly tubing, use a BC-61P brass stiffener insert to provide support before making connection. This ensures the tubing wall will not collapse when the sleeve is compressed. Note the orientation of the BC-60P Plastic Sleeve when installing, the smaller end of the taper faces toward the fitting body.

BC-260 SERIES - BRASS COMPRESSION SLEEVE RECOMMENDED FOR NYLON TUBING (Made from CA360 Brass)

DIMENSIONS			
Part No.	Size	L	
		in	mm
BC-260-04	1/4"	0.22	5.59
BC-260-06	3/8"	0.26	6.60
BC-260-08	1/2"	0.35	8.89

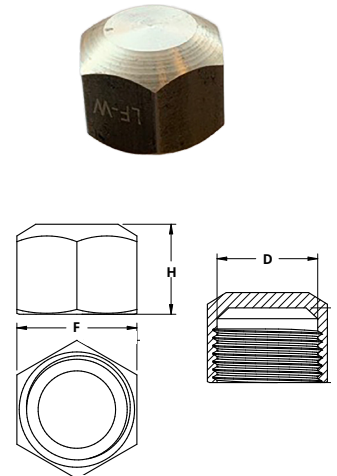


CA360 Brass Alloy Composition	
Element	% min/max
Cu	60.0 - 63.0
Pb	2.5 - 3.0
Zn	Rem
Fe	0.35 max

**BC-260 series In-line Sleeve is used in conjunction with a BC-61 Series compression nut. This sleeve can only go into the fitting body in one direction, the smaller end of the taper faces toward the fitting body when installed. Commonly used with nylon tube to maintain positioning on tube more effectively than plastic sleeves.

BC-61CPNL SERIES - BRASS COMPRESSION CAP No Lead

DIMENSIONS									
Part No.	Size	L (height)		F (flat to flat)		D (diameter)		Weight	
		in	mm	in	mm	in	mm	lb	g
BC-61CP-04NL	1/4"	0.44	11.1	0.50	12.7	0.40	10.1	0.013	6
BC-61CP-06NL	3/8"	0.46	11.6	0.63	15.9	0.52	13.3	0.018	8
BC-61CP-08NL	1/2"	0.57	14.4	0.75	19.1	0.64	16.2	0.031	14
BC-61CP-10NL	5/8"	0.56	14.3	0.87	22.2	0.76	19.3	0.038	17



For more information on installation, adjustment, repair & operation, visit Boshart Knowledge Base at SUPPORT.BOSHART.COM



BOSHART

INDUSTRIES

25 Whaley Avenue, PO Box 310, Milverton, ON CANADA N0K 1M0
Tel: 800-561-3164

boshart.com ♦ blog.boshart.com