

WSP SERIES - PLASTIC WELL SEALS

Typically used in warmer climates where there is no risk of freezing. They are sometimes used inside of a heated pump house in cold climates and that protects the pump pipes from freezing. Boshart's WSP Series Plastic Well Seals provide a sanitary, watertight seal at the top of a well casing where the drop pipe and electrical cable enter the well, when properly installed. These well seals are available to accommodate a range of installation requirements in:

- single hole for submersible/shallow well jet pump
- double hole for deep well jet pump
- blank configurations for sealing a well head

WSP well seals offer excellent durability, manufactured from high-strength, corrosion-resistant materials, for long-term performance. Their lightweight construction allows for easier handling and installation while maintaining reliable sealing performance in residential, agricultural, and light commercial water well applications.

These well seals are suitable for installations of submersible pumps up to and including depths of 600 feet when used with Schedule 80 PVC drop pipe and 400 feet on Schedule 40 steel pipe. A compression style rubber gasket expands when the bolts are tightened during installation to form a tight seal, to prevent surface water, debris, and contaminants from entering the water well.

SPECIFICATION:

- ABS (Acrylonitrile Butadiene Styrene) top and bottom plates
- Zinc plated bolts and flanged nuts - Stainless steel hardware is available upon request (add -SH to the end of the part number - not available in every size)
- Grommet kit is included (See pages 4 & 5 for accessories)
- Offset drop pipe allows for large conduit connection

DROP PIPE HOLE THROUGH RUBBER		
Nominal Drop Pipe Size	Inside Diameter	
	in	mm
1"	1.32	33.53
1-1/4"	1.66	42.16
1-1/2"	1.90	48.26
2"	2.38	60.45



User Responsibility Statement: It is the user's sole responsibility to determine the product's suitability for its intended use. For full details, visit Boshart Industries [Reference Documents](#) for our User Safety Responsibility Statement and other important documents.



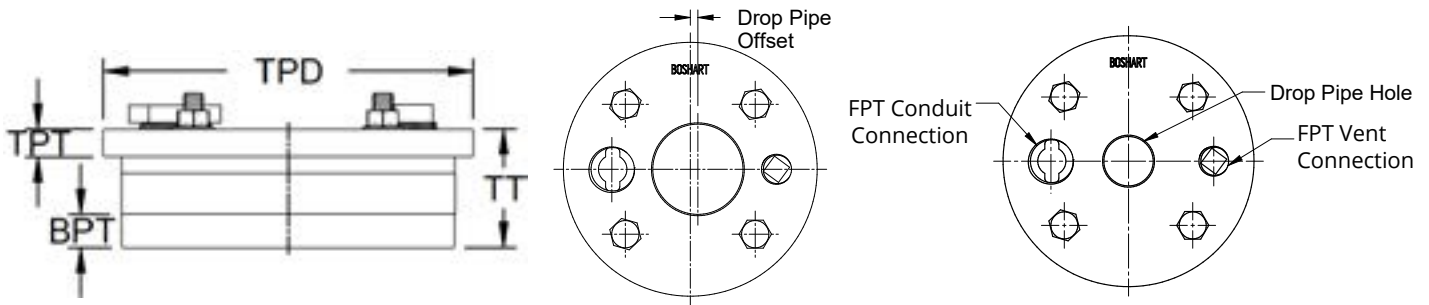
25 Whaley Avenue, PO Box 310, Milverton, ON CANADA N0K 1M0
Tel: 800-561-3164

VISIT US ONLINE AT BOSHART.COM



Single Hole Well Seals

- Single hole are designed for submersible pump applications



DIMENSIONS														
Part No.	Nominal Well Casing Size	Drop Pipe Size	Drop Pipe Offset (in)	Top Plate Thickness (TPT)		Bottom Plate Thickness (BPT)		Total Thickness (TT)		Top Plate Diameter (TPD)		Conduit Conn. (FPT)	Vent Size (FPT)	Grommet Kit Included
				in	mm	in	mm	in	mm	in	mm			
4" WSP Series														
WSP4010	4"	1"	0.50	0.5	12.7	0.6	15.2	2.1	54.1	4.6	115.8	3/4"	1/2"	Yes
WSP4012	4"	1-1/4"	0.50	0.5	12.7	0.6	15.2	2.1	54.1	4.6	115.8	3/4"	1/2"	Yes
WSP4015	4"	1-1/2"	0.50	0.5	12.7	0.6	15.2	2.1	54.1	4.6	115.8	3/4"	1/2"	Yes
WSP4020*	4"	2"	0.50	0.5	12.7	0.6	15.2	2.1	54.1	4.6	115.8	3/4"	1/2"	Yes
4-1/4" WSP Series														
WSP4210	4-1/4"	1"	0.50	0.5	12.7	0.6	15.2	2.1	54.1	4.6	115.8	3/4"	1/2"	Yes
WSP4212	4-1/4"	1-1/4"	0.50	0.5	12.7	0.6	15.2	2.1	54.1	4.6	115.8	3/4"	1/2"	Yes
WSP4215	4-1/4"	1-1/2"	0.50	0.5	12.7	0.6	15.2	2.1	54.1	4.6	115.8	3/4"	1/2"	Yes
WSP4220	4-1/4"	2"	0.50	0.5	12.7	0.6	15.2	2.1	54.1	4.6	115.8	3/4"	1/2"	Yes
5" WSP Series														
WSP5010	5"	1"	0.90	0.5	12.7	0.6	15.2	2.1	54.1	4.6	142.8	1"	1/2"	Yes
WSP5012	5"	1-1/4"	0.90	0.5	12.7	0.6	15.2	2.1	54.1	4.6	142.8	1"	1/2"	Yes
WSP5015	5"	1-1/2"	0.90	0.5	12.7	0.6	15.2	2.1	54.1	4.6	142.8	1"	1/2"	Yes
WSP5020	5"	2"	0.90	0.5	12.7	0.6	15.2	2.1	54.1	4.6	142.8	1"	1/2"	Yes
5-1/4" WSP Series														
WSP5210	5-5/8"	1"	0.90	0.5	12.7	0.6	15.2	2.1	54.1	4.6	142.8	1"	1/2"	Yes
6" WSP Series														
WSP6010	6"	1"	Centered	0.5	12.7	0.6	15.2	2.1	54.1	4.6	169.9	1"	1/2"	Yes
WSP6012	6"	1-1/4"	Centered	0.5	12.7	0.6	15.2	2.1	54.1	4.6	169.9	1"	1/2"	Yes
WSP6015	6"	1-1/2"	0.35	0.5	12.7	0.6	15.2	2.1	54.1	4.6	169.2	1"	1/2"	Yes
WSP6020	6"	2"	0.35	0.5	12.7	0.6	15.2	2.1	54.1	4.6	169.2	1"	1/2"	Yes
6-1/4" WSP Series														
WSP6210	6-1/4"	1"	Centered	0.5	12.7	0.6	15.2	2.1	54.1	4.6	169.9	1"	1/2"	Yes
WSP6212	6-1/4"	1-1/4"	Centered	0.5	12.7	0.6	15.2	2.1	54.1	4.6	169.9	1"	1/2"	Yes
WSP6215	6-1/4"	1-1/2"	0.35	0.5	12.7	0.6	15.2	2.1	54.1	4.6	169.2	1"	1/2"	Yes
WSP6220	6-1/4"	2"	0.35	0.5	12.7	0.6	15.2	2.1	54.1	4.6	169.9	1"	1/2"	Yes

*WSP4020 has raised supports, making it possible to incorporate a 3/4" cable hole



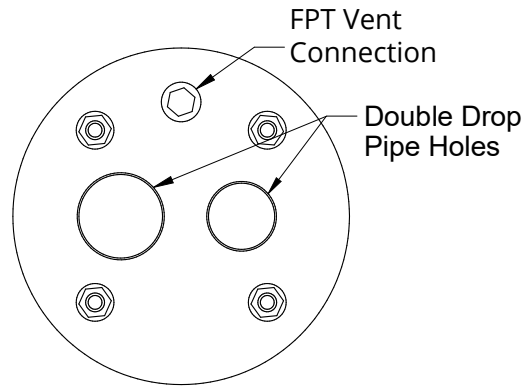
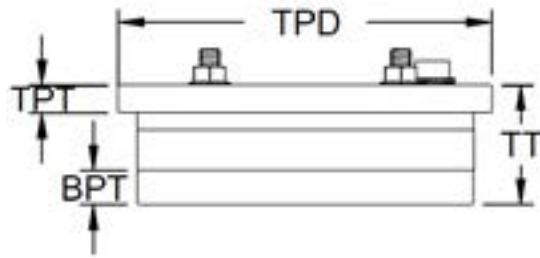
25 Whaley Avenue, PO Box 310, Milverton, ON CANADA N0K 1M0
Tel: 800-561-3164

VISIT US ONLINE AT BOSHART.COM



Double Holes Well Seals

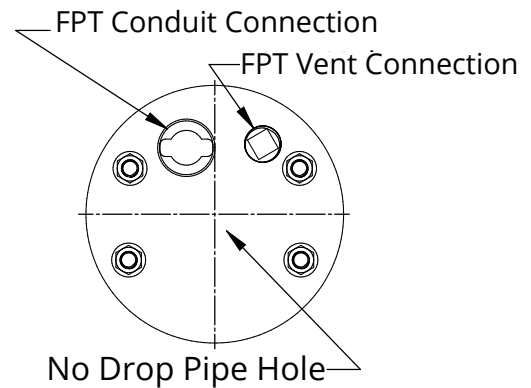
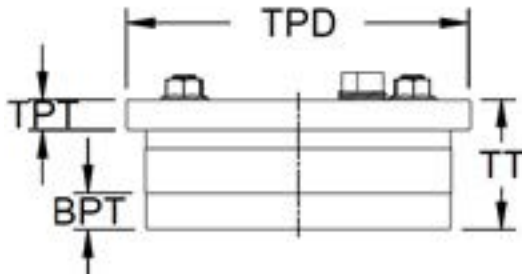
- Designed for jet pump applications



DIMENSIONS													
Part No.	Nominal Well Casing I.D.	Drop Pipe Size	Top Plate Thickness		Bottom Plate Thickness		Total Thickness		Top Plate Diameter		Conduit Conn. (FPT)	Vent Size (FPT)	Grommet Kit Included
			in	mm	in	mm	in	mm	in	mm			
WSP401210	4"	1-1/4" x 1"	0.5	12.7	0.6	15.2	2.1	54.1	4.6	115.8	N/A	1/2"	No
WSP421210	4-1/4"	1-1/4" x 1"	0.5	12.7	0.6	15.2	2.1	54.1	4.6	115.8	N/A	1/2"	No
WSP501210	5"	1-1/4" x 1"	0.5	12.7	0.6	15.2	2.1	54.1	5.6	142.8	N/A	1/2"	No
WSP601210	6"	1-1/4" x 1"	0.5	12.7	0.6	15.2	2.1	54.1	6.7	169.9	N/A	1/2"	No
WSP601212	6"	1-1/4" x 1-1/4"	0.5	12.7	0.6	15.2	2.1	54.1	6.7	169.9	N/A	1/2"	No
WSP621210	6-1/4"	1-1/4" x 1"	0.5	12.7	0.6	15.2	2.1	54.1	6.7	169.9	N/A	1/2"	No
WSP621212	6-1/4"	1-1/4" x 1-1/4"	0.5	12.7	0.6	15.2	2.1	54.1	6.7	169.9	N/A	1/2"	No

Blank Well Seals

- Supplied with a plug for the conduit connection



DIMENSIONS														
Part No.	Nominal Well Casing I.D.	Drop Pipe Size	Drop Pipe Offset (in)	Top Plate Thickness		Bottom Plate Thickness		Total Thickness		Top Plate Length		Conduit Conn. (FPT)	Vent Size (FPT)	Grommet Kit Included
				in	mm	in	mm	in	mm	in	mm			
WSP40	4"	Blank	N/A	0.5	12.7	0.6	15.2	2.1	54.1	4.6	115.8	3/4"	1/2"	Yes
WSP42	4-1/4"	Blank	N/A	0.5	12.7	0.6	15.2	2.1	54.1	4.6	115.8	3/4"	1/2"	Yes
WSP50	5"	Blank	N/A	0.5	12.7	0.6	15.2	2.1	54.1	5.6	142.8	1"	1/2"	Yes
WSP52	5-1/4"	Blank	N/A	0.5	12.7	0.6	15.2	2.1	54.1	5.6	142.8	1"	1/2"	Yes
WSP60	6"	Blank	N/A	0.5	12.7	0.6	15.2	2.1	54.1	6.7	169.9	1"	1/2"	Yes
WSP62	6-1/4"	Blank	N/A	0.5	12.7	0.6	15.2	2.1	54.1	6.7	169.9	1"	1/2"	Yes



25 Whaley Avenue, PO Box 310, Milverton, ON CANADA N0K 1M0
Tel: 800-561-3164

VISIT US ONLINE AT BOSHART.COM



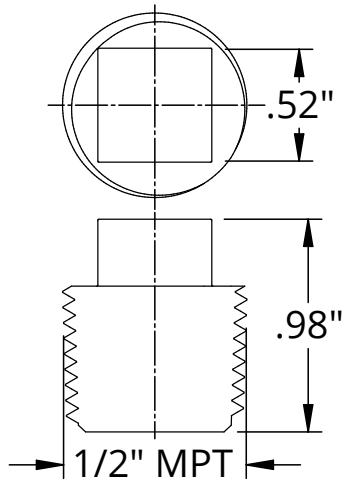
REPLACEMENT PARTS

WS-GK Series - Grommet Kits

FEATURES

- Includes a bushing, washer, round gasket and slotted gasket
- It is recommended that silicone sealant is applied to fill the conduit bushing above the washer and grommet kit after cables are installed
- Round hole grommet is for 3-4 twisted cables
- Slotted hole is for flat jacketed cable
- For use with submersible pumps

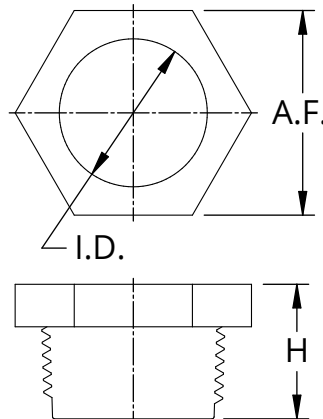
PVC Vent Plug



GROMMET KITS	
Part No.	Size
WS-GK-07	3/4"
WS-GK-10	1"

PVC Conduit Bushing

PVC CONDUIT BUSHING						
Size (MPT)	Inside Diameter (I.D.)		(A.F.)		Height (H)	
	in	mm	in	mm	in	mm
3/4"	0.83	21.08	1.17	29.72	0.95	24.13
1"	1.05	26.67	1.45	36.83	0.95	24.13



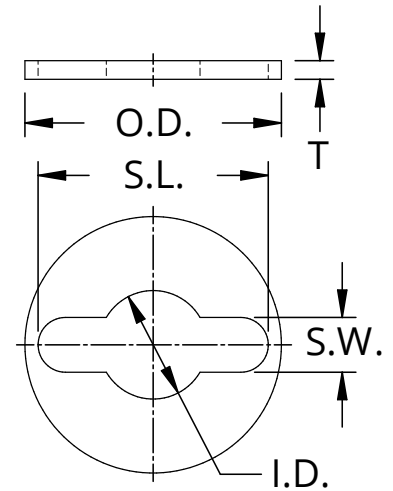
25 Whaley Avenue, PO Box 310, Milverton, ON CANADA N0K 1M0
Tel: 800-561-3164

VISIT US ONLINE AT BOSHART.COM



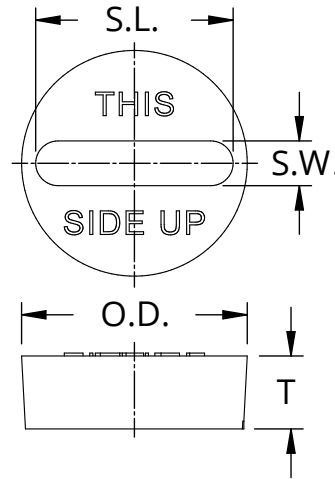
PVC Washer

DIMENSIONS										
Size	Inside Diameter (I.D.)		Outside Diameter (O.D.)		Slot Length (S.L.)		Slot Width (S.W.)		Thickness (T)	
	in	mm	in	mm	in	mm	in	mm	in	mm
3/4"	0.50	12.70	0.93	23.62	0.82	20.83	0.25	6.35	0.09	2.29
1"	0.50	12.70	1.17	29.72	1.05	26.67	0.25	6.35	0.09	2.29



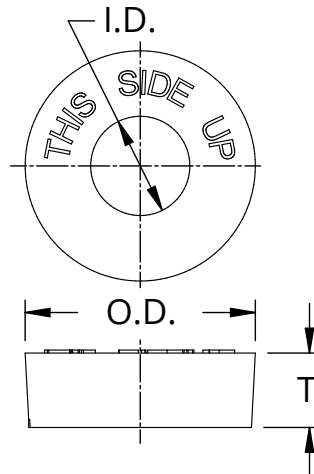
Slotted Rubber Grommet

SLOTTED RUBBER GROMMETS								
Size	Outside Diameter (O.D.)		Slot Length (S.L.)		Slot Width (S.W.)		Thickness (T)	
	in	mm	in	mm	in	mm	in	mm
3/4"	0.92	23.37	0.77	19.56	0.24	6.10	0.39	9.91
1"	1.16	29.46	1.02	25.91	0.24	6.10	0.39	9.91



Round Rubber Grommet

ROUND RUBBER GROMMETS						
Size	Inside Diameter (I.D.)		Outside Diameter (O.D.)		Thickness (T)	
	in	mm	in	mm	in	mm
3/4"	0.50	12.70	0.92	23.37	0.39	9.91
1"	0.50	12.70	1.16	29.46	0.39	9.91



BOSHART
INDUSTRIES

25 Whaley Avenue, PO Box 310, Milverton, ON CANADA N0K 1M0
Tel: 800-561-3164

VISIT US ONLINE AT BOSHART.COM



WS-V05(-G) Series - Steel & PVC Well Seal Vents

APPLICATIONS:

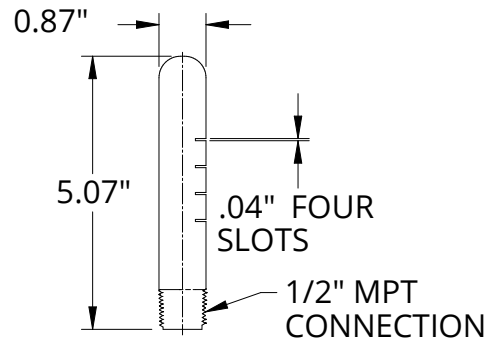
- These air vents are threaded into the well seal air vent connection for water well ventilation, allowing air into the well during the pumping phase and to release air as the static level of the water rises between pumping cycles
- Air vents must be plumbed to ensure the intake screen of the vent will never be submersed in water if the well pit were to get flooded with surface water in heavy rain or flood condition

FEATURES:

- Vents have four 0.04" (1.016 mm) slots on each side
- Slots make vermin proof

SPECIFICATIONS:

- WS-V05: 1/2" MPT Black PVC, 0.059 lbs (26.76 grams)



WS-V05(-G) Series - Steel & PVC Well Seal Vents

APPLICATIONS:

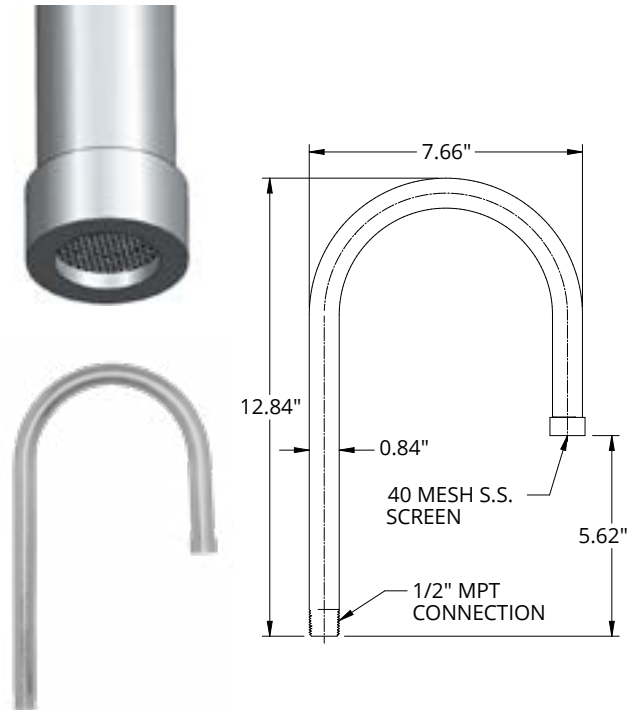
- These air vents are threaded into the well seal air vent connection for water well ventilation, allowing air into the well during the pumping phase and to release air as the static level of the water rises between pumping cycles
- Air vents must be plumbed to ensure the intake screen of the vent will never be submersed in water if the well pit were to get flooded with surface water in heavy rain or flood condition

FEATURES:

- Steel: 40 mesh - equivalent to 0.015" (0.381 mm) slot size of PVC slotted well screen / points, 36% open area, 1/64" (0.397 mm) openings
- Screen makes vermin proof

SPECIFICATIONS:

- WS-V05-G: 1/2" MPT Zinc Plated Steel tube, 1.520 lbs (689.5 grams)



25 Whaley Avenue, PO Box 310, Milverton, ON CANADA N0K 1M0
Tel: 800-561-3164

VISIT US ONLINE AT BOSHART.COM



Installation Instructions

1. Ensure the well casing is cut off level and that the inside of the well casing is clean and free of debris (approx. 3" down from top edge)
2. Loosen the compression bolts to ensure they are not applying any compression to the rubber gasket
3. Insert the last section of drop pipe through the well seal, against the drop pipe coupling
4. Insert the pump cable through the wire hole
5. As you lower the drop pipe, insert the well seal into the top of the casing until the top plate rests directly on the well casing
6. Align any cable or pipe openings as required for the installation
7. Evenly tighten all the compression bolts until they are snug
8. Further tighten bolts in a crisscross/star pattern to apply even pressure
 - First Round: 3 ft.lb
 - Second Round: 6 ft-lb
 - Third Round: 9 ft-lb
 - Final Round: 10-12 ft-lb

CAUTION: Never tighten one bolt to full torque at a time. Doing so can cause uneven compression and result in damage to the top and bottom plates.

9. Install the grommet kit using the slotted rubber gasket for flat jacketed pump cable and the rounded for twisted cable as shown (FIG 2.). With grommet kit installed, fill gap between the pump cable and grommet bushing with silicone to ensure a water tight seal (this is extremely important when using twisted pump cable as the grommet gasket cannot seal the gaps between the separate wires)
10. Vent opening should be raised to ensure the maximum flood risk level

Well Seal Removal

WARNING: Never loosen nuts off so far as to disengage the bolts, as it will result in the bolts falling down the well and possibly getting wedged between the well casing and the submersible pump, making it difficult to pull the pump for replacement.

FIG. 1

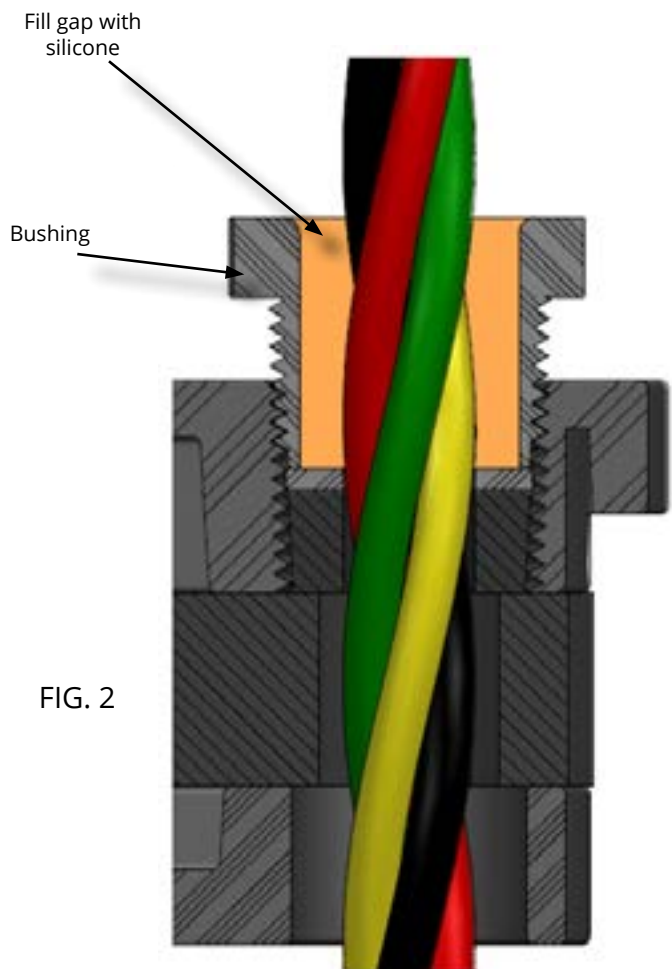
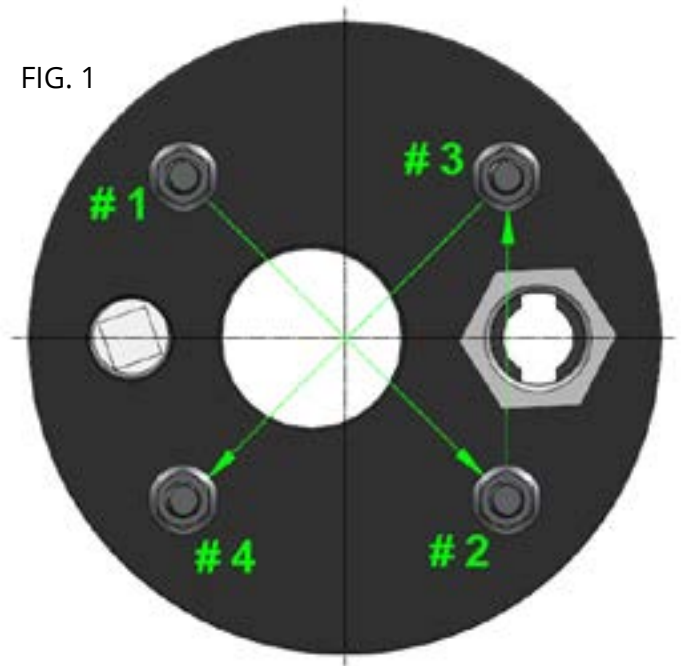


FIG. 2



25 Whaley Avenue, PO Box 310, Milverton, ON CANADA N0K 1M0
Tel: 800-561-3164

VISIT US ONLINE AT BOSHART.COM

