

# PA-XXX-CTNL SERIES NO LEAD CONCRETE TILE / SEPTIC TANK PITLESS ADAPTERS

## APPLICATION:

- Easy installation of pitless adapters thru thick concrete tile well casings
- Installation of grinder pumps in concrete holding / septic tank



## FEATURES:

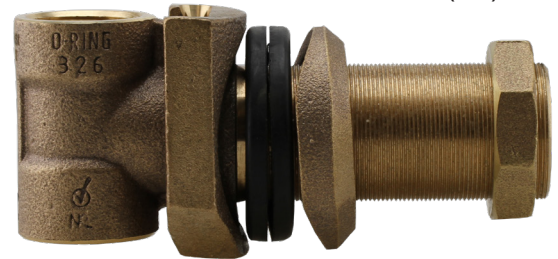
- Heavy duty no lead bronze castings
- Thick gaskets ensure positive seal
- Chamfered slide for easy installation of elbow
- Replacement O-Rings are available and listed below



Listed PAS-97 (2017)

## SPECIFICATIONS:

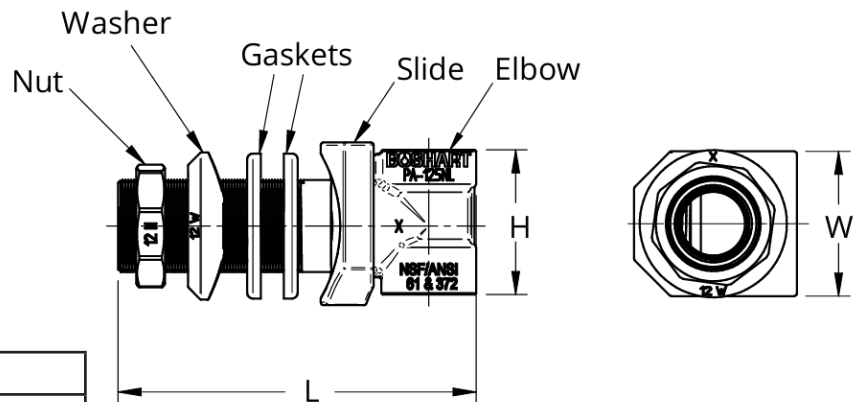
- Threads conform to ANSI/ASME B1.20.1
- Fits concrete tile 12" min. diameter and larger and flat wall concrete tanks
- Concrete thickness range - 0.930" min. to 2.936" max



## CERTIFICATIONS:

- NSF/ANSI Standard 61 Certified (Drinking Water System Components - Health Effects)
- NSF/ANSI Standard 372 Certified (Drinking Water System Components - Lead Content)
- Water Systems Council listed PAS-97 (2017)

MATERIAL LIST	
Name	Materials
Elbow	C89833 or C89844 NL Bronze
Slide	C89833 or C89844 NL Bronze
O-ring	Nitrile Butadiene Rubber (NBR)
Gaskets	Nitrile Butadiene Rubber (NBR)
Washer	C83600 Bronze
Nut	C83600 Bronze



REPLACEMENT O-RINGS			
Part No.	Size	Standard	Part Number
PA-100-CTNL	1	AS568-324	09-PA-100-OR-324
PA-125-CTNL	1-1/4	AS568-326	09-PA-125-OR-326

DIMENSIONS												
Part No.	Drop Pipe Size	Concrete Tile Size Range	Hole Saw Size	Working Load	H		L		W		Weight	
	Inches	Inches	Inches		lbs	in	mm	in	mm	in	mm	lb
PA-100-CTNL	1	12 - 48	1-3/4	2000	2.75	69.85	7.20	182.88	2.95	74.93	3.98	1805
PA-125-CTNL	1-1/4	12 - 48	2-1/8	2000	3.15	80.01	7.75	196.85	3.55	90.17	6.50	2948

**BOSHART**  
INDUSTRIES  
25 Whaley Avenue, PO Box 310, Milverton  
ON CANADA N0K 1M0  
Tel: 800-561-3164  
VISIT US ONLINE AT BOSHART.COM

