

# CLASS 150 BLACK & GALVANIZED MALLEABLE IRON PIPE FITTINGS

## MATERIAL SPECIFICATIONS:

- ANSI/ASTM A197 Cupola Malleable Iron Castings (Standard Specification for Cupola Malleable Iron)
- ASTM A153 Zinc Coating (Standard Specification for Zinc Coating (Hot-Dip) on Iron and Steel Hardware)
- Rated at 150 PSI for saturated steam

## DIMENSIONAL SPECIFICATIONS:

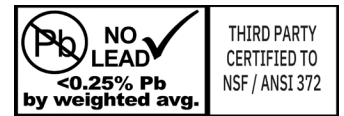
- ANSI/ASME B16.3 Threaded Fittings (Standard Specification for Malleable Iron Threaded Fittings: Classes 150 and 300)
- ANSI/ASME B16.14 Threaded Plugs, Bushings & Locknuts (Standard Specification for Ferrous Pipe Plugs, Bushings, and Locknuts with Pipe Threads)
- ANSI/ASME B16.39 Threaded Unions (Standard Specification for Malleable Iron Threaded Pipe Unions: Classes 150, 250, and 300)

## THREAD SPECIFICATIONS:

- ANSI/ASME B1.20.1 Pipe Threads (Standard Specification for Pipe Threads, General Purpose, Inch)

## CERTIFICATIONS:

- UL Manufactured\*\*
  - FM Standard 1920 (Approval Standard for Pipe Couplings and Fittings for Aboveground Fire Protection Systems)\*\*
  - NSF/ANSI 61 Certified (Drinking Water System Components - Health Effects)\*
  - NSF/ANSI 372 Certified (Drinking Water System Components - Lead Content)\*
- \* FOR GALVANIZED SERIES ONLY



2-BLLY & 2-GLY LATERAL WYE'S AND 2-GRBE RETURN BEND ELBOWS ARE NOT INCLUDED IN THE ABOVE LISTED CERTIFICATIONS.

*CRN registered in select Canadian provinces. Provincial CRN numbers available upon request.*



**User Responsibility Statement:** It is the user's sole responsibility to determine the product's suitability for its intended use. For full details, visit Boshart Industries [Reference Documents](#) for our User Safety Responsibility Statement and other important documents.

**BOSHART**  
**INDUSTRIES**

25 Whaley Avenue, PO Box 310  
Milverton, ON CANADA NOK 1M0  
Tel: 800-561-3164

VISIT US ONLINE AT [BOSHART.COM](http://BOSHART.COM)

For more information on installation, adjustment, repair & operation, visit Boshart Knowledge Base at [SUPPORT.BOSHART.COM](http://SUPPORT.BOSHART.COM)



**ANSI/ASME B16.3 Pressure-Temperature Ratings for Malleable Iron Threaded Fittings - Class 150**

Temperature		Working Pressure	
°C	°F	PSI	kPa
-28.9 to 65.5	-20 to 150	300	2068
93	200	265	1827
121	250	225	1551
148	300	185	1275
176	350	150**	1034

Material List	
Name	Percent of Composition
Cupola Malleable Iron	
Iron (Fe)	≥ 94.0
Carbon (C)	2.9 - 3.1
Silicone (Si)	1.35 - 1.6
Manganese (Mn)	0.4 - 0.6
Phosphorus (P)	< 0.1
Sulfur (S)	< 0.2

\*\*Permissible for service temperature up to 366 °F (185.5 °C), reflecting the temperature of saturated steam at 150 PSIG (10.34 bar).

1. Ratings are independent of the contained fluid and are maximum non-shock pressures at the tabulated temperatures. Intermediate ratings may be obtained by interpolation.
2. The temperature shown for the corresponding pressure rating shall be the material temperature of the pressure retaining structure. It may be assumed that the material temperature is the same as the fluid temperature.
3. Piping loads, stresses, and moments are not taken into account.



**BOSHART**  
**INDUSTRIES**

25 Whaley Avenue, PO Box 310  
Milverton, ON CANADA NOK 1M0  
Tel: 800-561-3164  
VISIT US ONLINE AT [BOSHART.COM](http://BOSHART.COM)

For more information on installation,  
adjustment, repair & operation, visit  
Boshart Knowledge Base at  
[SUPPORT.BOSHART.COM](http://SUPPORT.BOSHART.COM)



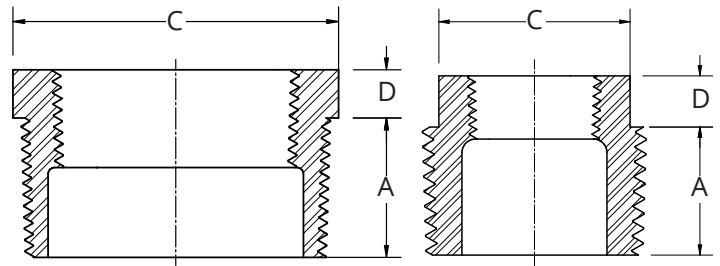
## Bushing - MPT x FPT



Outside Head



Inside Head



† Inside Head

Products will meet or exceed these minimum dimensions as defined by the manufacturing standard.

Black	Galvanized	Size	A		D		C		Weight	
			in	mm	in	mm	in	mm	lbs	grams
2-BLB-0201	2-GB-0201	1/4" x 1/8"	0.44	10.4	0.14	3.56	0.64	16.3	0.02	10
2-BLB-0301	2-GB-0301	3/8" x 1/8"	0.48	12.2	0.16	4.06	0.68	17.3	0.05	22
2-BLB-0302	2-GB-0302	3/8" x 1/4"	0.48	12.2	0.16	4.06	0.68	17.3	0.04	17
2-BLB-0501	2-GB-0501	1/2" x 1/8"	0.56	14.2	0.19	4.83	0.87	22.1	0.08	38
2-BLB-0502	2-GB-0502	1/2" x 1/4"	0.56	14.2	0.19	4.83	0.87	22.1	0.08	35
2-BLB-0503	2-GB-0503	1/2" x 3/8"	0.56	14.2	0.19	4.83	0.87	22.1	0.07	31
2-BLB-0701	2-GB-0701	3/4" x 1/8"	0.63	16.0	0.22	5.59	1.15	29.2	0.14	65
2-BLB-0702	2-GB-0702	3/4" x 1/4"	0.63	16.0	0.22	5.59	1.15	29.2	0.13	57
2-BLB-0703	2-GB-0703	3/4" x 3/8"	0.63	16.0	0.22	5.59	1.15	29.2	0.13	56
2-BLB-0705	2-GB-0705	3/4" x 1/2"	0.63	16.0	0.22	5.59	1.15	29.2	0.10	45
2-BLB-1001 †	2-GB-1001 †	1" x 1/8"	0.75	19.1	0.30	7.62	1.12	28.5	0.21	97
2-BLB-1002 †	2-GB-1002 †	1" x 1/4"	0.75	19.1	0.30	7.62	1.12	28.5	0.22	98
2-BLB-1003 †	2-GB-1003 †	1" x 3/8"	0.75	19.1	0.30	7.62	1.12	28.5	0.19	85
2-BLB-1005	2-GB-1005	1" x 1/2"	0.75	19.1	0.25	6.35	1.42	36.1	0.21	95
2-BLB-1007	2-GB-1007	1" x 3/4"	0.75	19.	0.25	6.35	1.42	36.1	0.17	75
2-BLB-1202 †	2-GB-1202 †	1-1/4" x 1/4"	0.80	20.3	0.34	8.64	1.12	28.5	0.30	134
2-BLB-1203 †	2-GB-1203 †	1-1/4" x 3/8"	0.80	20.3	0.34	8.64	1.12	28.5	0.29	129
2-BLB-1205 †	2-GB-1205 †	1-1/4" x 1/2"	0.80	20.3	0.34	8.64	1.34	34.0	0.29	133
2-BLB-1207	2-GB-1207	1-1/4" x 3/4"	0.80	20.3	0.28	7.11	1.76	44.7	0.34	155
2-BLB-1210	2-GB-1210	1-1/4" x 1"	0.80	20.3	0.28	7.11	1.76	44.7	0.29	130
2-BLB-1501 †	N/A	1-1/2" x 1/8"	0.83	21.1	0.37	9.40	1.12	28.5	0.47	214
2-BLB-1502 †	2-GB-1502 †	1-1/2" x 1/4"	0.83	21.1	0.37	9.40	1.12	28.5	0.40	183
2-BLB-1503 †	2-GB-1503 †	1-1/2" x 3/8"	0.83	21.1	0.37	9.40	1.12	28.5	0.39	175
2-BLB-1505 †	2-GB-1505 †	1-1/2" x 1/2"	0.83	21.1	0.37	9.40	1.34	34.0	0.37	170
2-BLB-1507 †	2-GB-1507 †	1-1/2" x 3/4"	0.83	21.1	0.37	9.40	1.63	41.4	0.40	180
2-BLB-1510	2-GB-1510	1-1/2" x 1"	0.83	21.1	0.31	7.87	2.00	50.8	0.45	206
2-BLB-1512	2-GB-1512	1-1/2" x 1-1/4"	0.83	21.1	0.31	7.87	2.00	50.8	0.32	144



25 Whaley Avenue, PO Box 310  
 Milverton, ON CANADA NOK 1M0  
 Tel: 800-561-3164  
**VISIT US ONLINE AT BOSHART.COM**

For more information on installation, adjustment, repair & operation, visit Boshart Knowledge Base at [SUPPORT.BOSHART.COM](http://SUPPORT.BOSHART.COM)



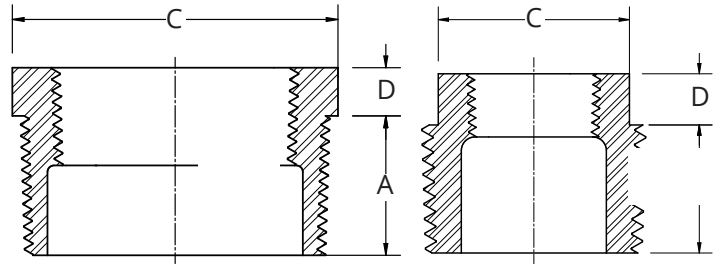
# Bushing - MPT x FPT



Outside Head

Inside Head

† Inside Head



Products will meet or exceed these minimum dimensions as defined by the manufacturing standard.

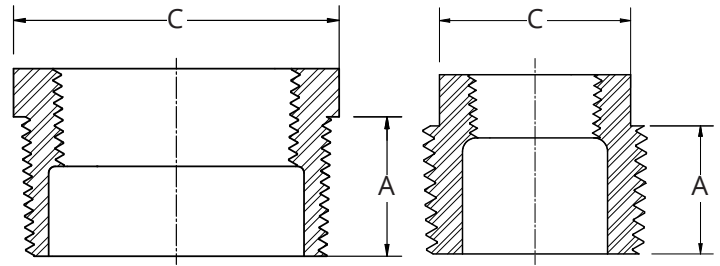
Black	Galvanized	Size	A		D		C		Weight	
			in	mm	in	mm	in	mm	lbs	grams
2-BLB-2002 †	2-GB-2002 †	2" x 1/4"	0.88	22.4	0.41	10.4	1.12	28.5	0.58	262
2-BLB-2003 †	2-GB-2003 †	2" x 3/8"	0.88	22.4	0.41	10.4	1.12	28.5	0.57	256
2-BLB-2005 †	2-GB-2005 †	2" x 1/2"	0.88	22.4	0.41	10.4	1.34	34.0	0.50	226
2-BLB-2007 †	2-GB-2007 †	2" x 3/4"	0.88	22.4	0.41	10.4	1.63	41.4	0.63	286
2-BLB-2010 †	2-GB-2010 †	2" x 1"	0.88	22.4	0.41	10.4	1.95	49.5	0.66	300
2-BLB-2012	2-GB-2012	2" x 1-1/4"	0.88	22.4	0.34	8.6	2.48	63.0	0.74	335
2-BLB-2015	2-GB-2015	2" x 1-1/2"	0.88	22.4	0.34	8.6	2.48	63.0	0.59	266
2-BLB-2505 †	2-GB-2505 †	2-1/2" x 1/2"	1.07	27.2	0.44	10.4	1.34	34.0	0.95	430
2-BLB-2507 †	2-GB-2507 †	2-1/2" x 3/4"	1.07	27.2	0.44	11.2	1.63	41.4	0.93	421
2-BLB-2510 †	2-GB-2510 †	2-1/2" x 1"	1.07	27.2	0.44	10.4	1.95	49.5	0.96	434
2-BLB-2512 †	2-GB-2512 †	2-1/2" x 1-1/4"	1.07	27.2	0.44	10.4	2.39	60.7	1.01	460
2-BLB-2515	2-GB-2515	2-1/2" x 1-1/2"	1.07	27.2	0.44	10.4	2.68	68.1	1.13	511
2-BLB-2520	2-GB-2520	2-1/2" x 2"	1.07	27.2	0.37	9.40	2.98	75.7	0.97	440
2-BLB-3005 †	2-GB-3005 †	3" x 1/2"	1.13	28.7	0.48	12.2	1.34	34.0	1.34	608
2-BLB-3007 †	N/A	3" x 3/4"	1.13	28.7	0.48	12.2	1.63	41.4	1.40	635
2-BLB-3010 †	2-GB-3010 †	3" x 1"	1.13	28.7	0.48	12.2	1.95	49.5	1.44	653
2-BLB-3012 †	2-GB-3012 †	3" x 1-1/4"	1.13	28.7	0.48	12.2	2.39	60.7	1.41	640
2-BLB-3015 †	2-GB-3015 †	3" x 1-1/2"	1.13	28.7	0.48	12.2	2.68	68.1	1.61	730
2-BLB-3020	2-GB-3020	3" x 2"	1.13	28.7	0.48	12.2	3.28	83.3	2.17	983
2-BLB-3025	2-GB-3025	3" x 2-1/2"	1.13	28.7	0.40	10.2	3.86	98.0	1.64	746
2-BLB-3520 †	N/A	3-1/2" x 2"	1.18	30.0	0.52	13.2	3.28	83.3	1.83	830
2-BLB-3530	N/A	3-1/2" x 3"	1.18	30.0	0.43	10.9	4.62	117.4	1.99	904
2-BLB-4007 †	N/A	4" x 3/4"	1.22	31.0	0.78	19.8	2.00	50.8	3.23	1465
2-BLB-4010 †	2-GB-4010 †	4" x 1"	1.22	31.0	0.60	15.2	1.95	49.5	3.79	1720
2-BLB-4012 †	2-GB-4012 †	4" x 1-1/4"	1.22	31.0	0.60	15.2	2.39	60.7	2.50	1135
2-BLB-4015 †	2-GB-4015 †	4" x 1-1/2"	1.22	31.0	0.60	15.2	2.68	68.1	2.46	1118
2-BLB-4020 †	2-GB-4020 †	4" x 2"	1.22	31.0	0.60	15.2	3.28	83.3	3.10	1405
2-BLB-4025 †	2-GB-4025 †	4" x 2-1/2"	1.22	31.0	0.60	15.2	3.86	98.0	3.35	1519
2-BLB-4030	2-GB-4030	4" x 3"	1.22	31.0	0.50	12.7	4.62	117.4	3.54	1604



25 Whaley Avenue, PO Box 310  
 Milverton, ON CANADA NOK 1M0  
 Tel: 800-561-3164  
**VISIT US ONLINE AT BOSHART.COM**

For more information on installation, adjustment, repair & operation, visit Boshart Knowledge Base at [SUPPORT.BOSHART.COM](http://SUPPORT.BOSHART.COM)

## Bushing - MPT x FPT



† Inside Head

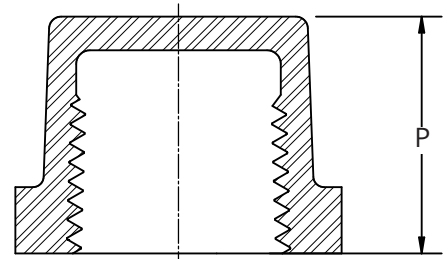
Products will meet or exceed these minimum dimensions as defined by the manufacturing standard.

Black	Galvanized	Size	A		D		C		Weight	
			in	mm	in	mm	in	mm	lbs	grams
2-BLB-5020 †	N/A	5" x 2"	1.31	33.3	0.60	15.2	3.28	83.3	3.53	1601
2-BLB-5030 †	2-GB-5030 †	5" x 3"	1.31	33.3	0.60	15.2	4.62	117.4	4.28	1941
2-BLB-5040	2-GB-5040	5" x 4"	1.31	33.3	0.50	12.7	5.79	147.1	4.78	2168
2-BLB-6030 †	2-GB-6030 †	6" x 3"	1.40	35.6	0.75	19.1	4.62	117.4	7.07	3207
2-BLB-6040 †	2-GB-6040 †	6" x 4"	1.40	35.6	0.75	19.1	5.79	147.1	7.10	3222
2-BLB-6050	2-GB-6050	6" x 5"	1.40	35.6	0.63	16.0	7.05	179.1	7.20	3267

## Cap - FPT

Products will meet or exceed these minimum dimensions as defined by the manufacturing standard.

Black	Galvanized	Size	P		Weight	
			in	mm	lbs	grams
2-BLCA-01	2-GCA-01	1/8"	0.53	13.5	0.03	15
2-BLCA-02	2-GCA-02	1/4"	0.63	16.0	0.06	25
2-BLCA-03	2-GCA-03	3/8"	0.74	18.8	0.08	36
2-BLCA-05	2-GCA-05	1/2"	0.87	22.1	0.11	52
2-BLCA-07	2-GCA-07	3/4"	0.97	24.6	0.17	78
2-BLCA-10	2-GCA-10	1"	1.16	29.5	0.31	139
2-BLCA-12	2-GCA-12	1-1/4"	1.28	32.5	0.46	210
2-BLCA-15	2-GCA-15	1-1/2"	1.33	33.8	0.55	250
2-BLCA-20	2-GCA-20	2"	1.45	36.8	0.82	373
2-BLCA-25	2-GCA-25	2-1/2"	1.70	43.2	1.55	701
2-BLCA-30	2-GCA-30	3"	1.80	45.7	2.39	1084
2-BLCA-40	2-GCA-40	4"	2.08	52.8	3.81	1726
2-BLCA-50	2-GCA-50	5"	2.32	58.9	5.77	2615
2-BLCA-60	2-GCA-60	6"	2.55	64.8	9.09	4122



25 Whaley Avenue, PO Box 310  
 Milverton, ON CANADA NOK 1M0  
 Tel: 800-561-3164

VISIT US ONLINE AT BOSHART.COM

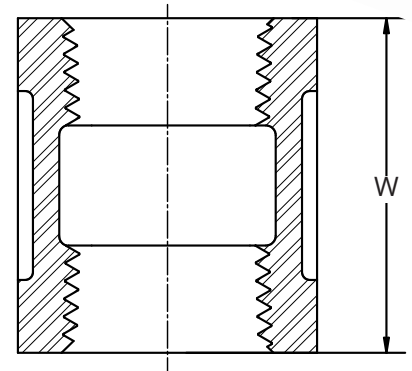
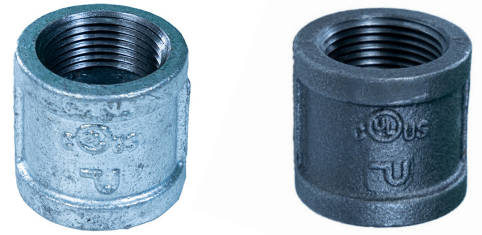
For more information on installation, adjustment, repair & operation, visit Boshart Knowledge Base at SUPPORT.BOSHART.COM



## Coupling - FPT

Products will meet or exceed these minimum dimensions as defined by the manufacturing standard.

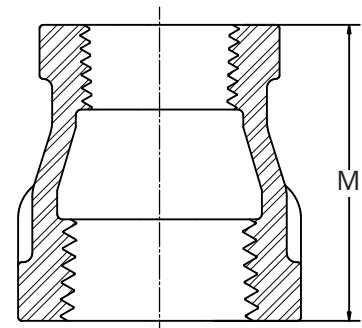
Black	Galvanized	Size	W		Weight	
			in	mm	lbs	grams
2-BLC-01	2-GC-01	1/8"	0.95	24.2	0.05	23
2-BLC-02	2-GC-02	1/4"	1.06	26.9	0.09	39
2-BLC-03	2-GC-03	3/8"	1.16	29.5	0.14	62
2-BLC-05	2-GC-05	1/2"	1.34	34.0	0.19	85
2-BLC-07	2-GC-07	3/4"	1.52	38.6	0.27	121
2-BLC-10	2-GC-10	1"	1.67	42.4	0.43	193
2-BLC-12	2-GC-12	1-1/4"	1.93	49.0	0.64	291
2-BLC-15	2-GC-15	1-1/2"	2.15	54.6	0.84	382
2-BLC-20	2-GC-20	2"	2.53	64.3	1.45	656
2-BLC-25	2-GC-25	2-1/2"	2.88	73.2	2.49	1130
2-BLC-30	2-GC-30	3"	3.18	80.8	3.49	1584
2-BLC-40	2-GC-40	4"	3.69	93.7	6.04	2738
2-BLC-50	2-GC-50	5"	3.74	95.0	8.84	4010
2-BLC-60	2-GC-60	6"	4.13	105.0	13.48	6113



## Reducing Coupling - FPT

Products will meet or exceed these minimum dimensions as defined by the manufacturing standard.

Black	Galvanized	Size	M		Weight	
			in	mm	lbs	grams
2-BLRC-0201	2-GRC-0201	1/4" x 1/8"	1.00	25.4	0.07	32
2-BLRC-0301	2-GRC-0301	3/8" x 1/8"	1.13	28.7	0.09	42
2-BLRC-0302	2-GRC-0302	3/8" x 1/4"	1.13	28.7	0.11	50
2-BLRC-0501	2-GRC-0501	1/2" x 1/8"	1.25	31.8	0.14	65
2-BLRC-0502	2-GRC-0502	1/2" x 1/4"	1.25	31.8	0.14	63
2-BLRC-0503	2-GRC-0503	1/2" x 3/8"	1.25	31.8	0.16	71
2-BLRC-0701	2-GRC-0701	3/4" x 1/8"	1.44	36.6	0.21	93
2-BLRC-0702	2-GRC-0702	3/4" x 1/4"	1.44	36.6	0.22	100
2-BLRC-0703	2-GRC-0703	3/4" x 3/8"	1.44	36.6	0.21	96
2-BLRC-0705	2-GRC-0705	3/4" x 1/2"	1.44	36.6	0.24	108
2-BLRC-1002	2-GRC-1002	1" x 1/4"	1.69	42.9	0.32	146
2-BLRC-1003	2-GRC-1003	1" x 3/8"	1.69	42.9	0.37	170
2-BLRC-1005	2-GRC-1005	1" x 1/2"	1.69	42.9	0.30	138
2-BLRC-1007	2-GRC-1007	1" x 3/4"	1.69	42.9	0.37	167
2-BLRC-1203	2-GRC-1203	1-1/4" x 3/8"	2.06	52.3	0.84	381
2-BLRC-1205	2-GRC-1205	1-1/4" x 1/2"	2.06	52.3	0.55	249
2-BLRC-1207	2-GRC-1207	1-1/4" x 3/4"	2.06	52.3	0.61	277



**BOSHART**  
**INDUSTRIES**

25 Whaley Avenue, PO Box 310  
Milverton, ON CANADA NOK 1M0  
Tel: 800-561-3164

VISIT US ONLINE AT BOSHART.COM

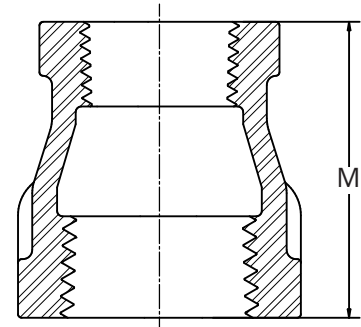
For more information on installation,  
adjustment, repair & operation, visit  
Boshart Knowledge Base at  
SUPPORT.BOSHART.COM



# Reducing Coupling - FPT

Products will meet or exceed these minimum dimensions as defined by the manufacturing standard.

Black	Galvanized	Size	M		Weight	
			in	mm	lbs	grams
2-BLRC-1210	2-GRC-1210	1-1/4" x 1"	2.03	51.6	0.62	281
2-BLRC-1503	N/A	1-1/2" x 3/8"	2.31	58.7	0.6	300
2-BLRC-1505	2-GRC-1505	1-1/2" x 1/2"	2.31	58.7	0.71	320
2-BLRC-1507	2-GRC-1507	1-1/2" x 3/4"	2.31	58.7	0.75	338
2-BLRC-1510	2-GRC-1510	1-1/2" x 1"	2.31	58.7	0.78	353
2-BLRC-1512	2-GRC-1512	1-1/2" x 1-1/4"	2.31	58.7	0.87	395
2-BLRC-2003	N/A	2" x 3/8"	2.81	71.4	1.03	467
2-BLRC-2005	2-GRC-2005	2" x 1/2"	2.81	71.4	1.14	517
2-BLRC-2007	2-GRC-2007	2" x 3/4"	2.81	71.4	1.15	523
2-BLRC-2010	2-GRC-2010	2" x 1"	2.81	71.4	1.18	535
2-BLRC-2012	2-GRC-2012	2" x 1-1/4"	2.81	71.4	1.18	533
2-BLRC-2015	2-GRC-2015	2" x 1-1/2"	2.81	71.4	1.35	614
N/A	2-GRC-2505	2-1/2" x 1/2"	3.25	82.6	1.71	778
2-BLRC-2507	2-GRC-2507	2-1/2" x 3/4"	3.25	82.6	2.34	1060
2-BLRC-2510	2-GRC-2510	2-1/2" x 1"	3.25	82.6	1.79	810
2-BLRC-2512	2-GRC-2512	2-1/2" x 1-1/4"	3.25	82.6	2.20	1000
2-BLRC-2515	2-GRC-2515	2-1/2" x 1-1/2"	3.25	82.6	2.09	947
2-BLRC-2520	2-GRC-2520	2-1/2" x 2"	3.25	82.6	2.26	1025
2-BLRC-3007	N/A	3" x 3/4"	3.69	93.7	2.82	1280
2-BLRC-3010	2-GRC-3010	3" x 1"	3.69	93.7	3.04	1377
2-BLRC-3012	2-GRC-3012	3" x 1-1/4"	3.69	93.7	3.15	1430
2-BLRC-3015	2-GRC-3015	3" x 1-1/2"	3.69	93.7	3.27	1481
2-BLRC-3020	2-GRC-3020	3" x 2"	3.69	93.7	3.25	1475
2-BLRC-3025	2-GRC-3025	3" x 2-1/2"	3.69	93.7	3.64	1650
2-BLRC-4010	N/A	4" x 1"	4.38	111.3	4.19	1900
2-BLRC-4012	N/A	4" x 1-1/4"	4.38	111.3	5.29	2399
2-BLRC-4015	2-GRC-4015	4" x 1-1/2"	4.38	111.3	5.43	2465
2-BLRC-4020	2-GRC-4020	4" x 2"	4.38	111.3	5.35	2425
2-BLRC-4025	2-GRC-4025	4" x 2-1/2"	4.38	111.3	5.69	2580
2-BLRC-4030	2-GRC-4030	4" x 3"	4.38	111.3	5.90	2677
2-BLRC-5040	2-GRC-5040	5" x 4"	4.56	115.8	9.91	4493
2-BLRC-6030	2-GRC-6030	6" x 3"	4.25	108.0	13.69	6210
2-BLRC-6040	2-GRC-6040	6" x 4"	4.13	105.0	13.18	5975



25 Whaley Avenue, PO Box 310  
 Milverton, ON CANADA NOK 1M0  
 Tel: 800-561-3164  
**VISIT US ONLINE AT BOSHART.COM**

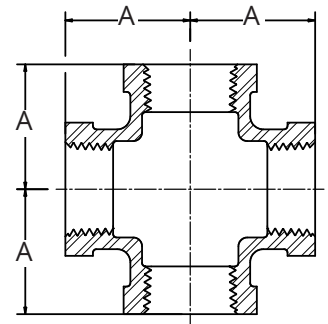
For more information on installation, adjustment, repair & operation, visit Boshart Knowledge Base at [SUPPORT.BOSHART.COM](https://support.boshart.com)



## Cross - FPT

Products will meet or exceed these minimum dimensions as defined by the manufacturing standard.

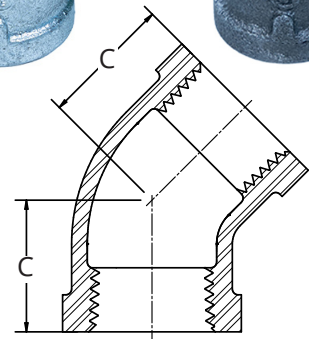
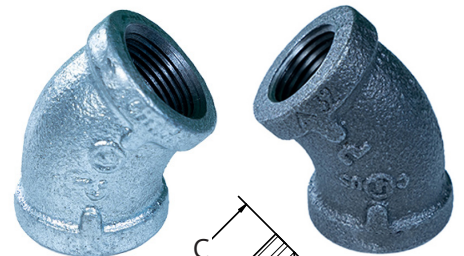
Black	Galvanized	Size	A		Weight	
			in	mm	lbs	grams
2-BLCR-01	2-GCR-01	1/8"	0.69	17.5	0.11	49
2-BLCR-02	2-GCR-02	1/4"	0.81	20.6	0.18	79
2-BLCR-03	2-GCR-03	3/8"	0.95	24.1	0.26	116
2-BLCR-05	2-GCR-05	1/2"	1.12	28.5	0.41	186
2-BLCR-07	2-GCR-07	3/4"	1.31	33.3	0.60	271
2-BLCR-10	2-GCR-10	1"	1.50	38.1	0.99	447
2-BLCR-12	2-GCR-12	1-1/4"	1.75	44.5	1.44	655
2-BLCR-15	2-GCR-15	1-1/2"	1.94	49.3	1.84	834
2-BLCR-20	2-GCR-20	2"	2.25	57.2	2.88	1308
2-BLCR-25	2-GCR-25	2-1/2"	2.70	68.6	5.41	2455
2-BLCR-30	2-GCR-30	3"	3.08	78.2	7.35	3335
2-BLCR-40	2-GCR-40	4"	3.79	96.3	12.74	5778



## 45° Elbow - FPT

Products will meet or exceed these minimum dimensions as defined by the manufacturing standard.

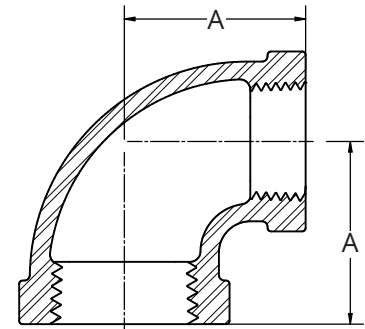
Black	Galvanized	Size	C		Weight	
			in	mm	lbs	grams
2-BLE4-01	2-GE4-01	1/8"	N/A	N/A	0.07	30
2-BLE4-02	2-GE4-02	1/4"	0.73	18.5	0.10	46
2-BLE4-03	2-GE4-03	3/8"	0.80	20.3	0.14	61
2-BLE4-05	2-GE4-05	1/2"	0.88	22.4	0.22	101
2-BLE4-07	2-GE4-07	3/4"	0.98	24.9	0.32	147
2-BLE4-10	2-GE4-10	1"	1.12	28.5	0.54	244
2-BLE4-12	2-GE4-12	1-1/4"	1.29	32.8	0.75	342
2-BLE4-15	2-GE4-15	1-1/2"	1.43	36.3	1.01	460
2-BLE4-20	2-GE4-20	2"	1.68	42.7	1.61	728
2-BLE4-25	2-GE4-25	2-1/2"	1.95	49.5	2.87	1300
2-BLE4-30	2-GE4-30	3"	2.17	55.1	4.48	2033
2-BLE4-40	2-GE4-40	4"	2.61	66.3	7.42	3500
2-BLE4-60	2-GE4-60	6"	3.46	87.9	10.69	4850



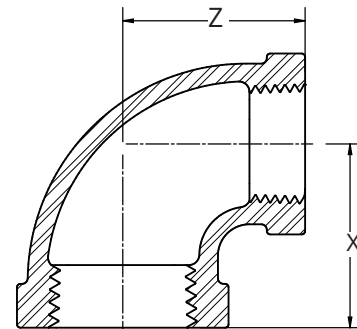
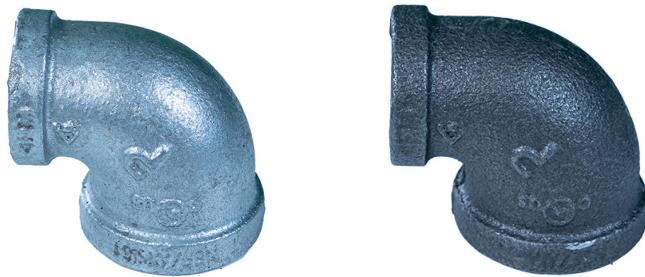
## 90° Elbow - FPT

Products will meet or exceed these minimum dimensions as defined by the manufacturing standard.

Black	Galvanized	Size	A		Weight	
			in	mm	lbs	grams
2-BLE-01	2-GE-01	1/8"	0.69	17.5	0.07	31
2-BLE-02	2-GE-02	1/4"	0.81	20.6	0.11	50
2-BLE-03	2-GE-03	3/8"	0.95	24.1	0.16	70
2-BLE-05	2-GE-05	1/2"	1.12	28.5	0.22	100
2-BLE-07	2-GE-07	3/4"	1.31	33.3	0.39	179
2-BLE-10	2-GE-10	1"	1.50	38.1	0.61	277
2-BLE-12	2-GE-12	1-1/4"	1.75	44.5	0.84	383
2-BLE-15	2-GE-15	1-1/2"	1.94	49.3	1.10	497
2-BLE-20	2-GE-20	2"	2.25	57.2	1.71	778
2-BLE-25	2-GE-25	2-1/2"	2.70	68.6	3.17	1438
2-BLE-30	2-GE-30	3"	3.08	78.2	4.87	2210
2-BLE-40	2-GE-40	4"	3.79	96.3	8.21	3723
2-BLE-50	2-GE-50	5"	4.50	114.3	15.45	7006
2-BLE-60	2-GE-60	6"	5.13	130.3	20.41	9256



## Reducing 90° Elbow - FPT



Products will meet or exceed these minimum dimensions as defined by the manufacturing standard.

Black	Galvanized	Size	X		Z		Weight	
			in	mm	in	mm	lbs	grams
2-BLRE-0201	2-GRE-0201	1/4" x 1/8"	0.74	18.8	0.76	19.3	0.09	42
2-BLRE-0301	N/A	3/8" x 1/8"	0.88	22.4	0.90	22.9	0.11	49
2-BLRE-0302	2-GRE-0302	3/8" x 1/4"	0.81	20.5	0.85	21.6	0.15	66
2-BLRE-0501	N/A	1/2" x 1/8"	0.87	22.0	0.91	23.0	0.15	69
2-BLRE-0502	2-GRE-0502	1/2" x 1/4"	0.97	24.6	0.98	24.9	0.19	84
2-BLRE-0503	2-GRE-0503	1/2" x 3/8"	1.04	26.4	1.03	26.2	0.22	101

**BOSHART**  
INDUSTRIES

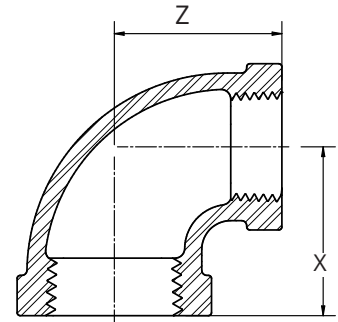
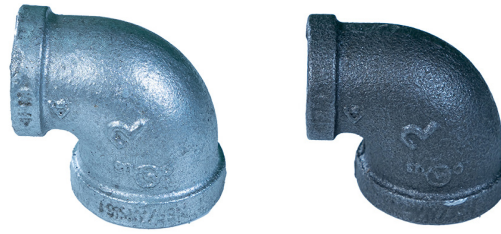
25 Whaley Avenue, PO Box 310  
Milverton, ON CANADA NOK 1M0  
Tel: 800-561-3164

VISIT US ONLINE AT BOSHART.COM

For more information on installation,  
adjustment, repair & operation, visit  
Boshart Knowledge Base at  
SUPPORT.BOSHART.COM



# Reducing 90° Elbow - FPT



Products will meet or exceed these minimum dimensions as defined by the manufacturing standard.

Black	Galva- nized	Size	X		Z		Weight	
			in	mm	in	mm	lbs	grams
2-BLRE-0701	N/A	3/4" x 1/8"	1.02	26.0	1.06	27.0	0.23	104
2-BLRE-0702	2-GRE-0702	3/4" x 1/4"	1.05	26.7	1.08	27.4	0.27	123
2-BLRE-0703	2-GRE-0703	3/4" x 3/8"	1.12	28.5	1.13	28.7	0.28	126
2-BLRE-0705	2-GRE-0705	3/4" x 1/2"	1.20	30.5	1.22	31.0	0.31	140
2-BLRE-1002	N/A	1" x 1/4"	1.06	27.0	1.22	31.0	0.31	139
2-BLRE-1003	2-GRE-1003	1" x 3/8"	1.18	30.0	1.27	32.3	0.40	180
2-BLRE-1005	2-GRE-1005	1" x 1/2"	1.26	32.0	1.40	35.5	0.48	216
2-BLRE-1007	2-GRE-1007	1" x 3/4"	1.37	34.8	1.45	36.8	0.49	223
2-BLRE-1205	2-GRE-1205	1-1/4" x 1/2"	1.34	34.0	1.53	38.9	0.60	273
2-BLRE-1207	2-GRE-1207	1-1/4" x 3/4"	1.45	36.8	1.62	41.2	0.69	312
2-BLRE-1210	2-GRE-1210	1-1/4" x 1"	1.58	40.1	1.67	42.4	0.75	363
2-BLRE-1505	2-GRE-1505	1-1/2" x 1/2"	1.38	35.0	1.63	41.5	0.80	338
2-BLRE-1507	2-GRE-1507	1-1/2" x 3/4"	1.52	38.6	1.75	44.5	0.92	418
2-BLRE-1510	2-GRE-1510	1-1/2" x 1"	1.65	41.9	1.80	45.7	0.98	445
2-BLRE-1512	2-GRE-1512	1-1/2" x 1-1/4"	1.82	46.2	1.88	47.8	1.15	521
2-BLRE-2005	2-GRE-2005	2" x 1/2"	1.48	37.5	1.87	47.5	1.06	481
2-BLRE-2007	2-GRE-2007	2" x 3/4"	1.60	40.6	1.97	50.0	1.24	560
2-BLRE-2010	2-GRE-2010	2" x 1"	1.73	43.9	2.02	51.3	1.17	532
2-BLRE-2012	2-GRE-2012	2" x 1-1/4"	1.90	48.3	2.10	53.3	1.58	715
2-BLRE-2015	2-GRE-2015	2" x 1-1/2"	2.02	51.3	2.16	54.9	1.67	756
2-BLRE-2507	N/A	2-1/2" x 3/4"	1.65	42.0	2.24	57.0	1.94	880
2-BLRE-2510	N/A	2-1/2" x 1"	1.81	46.0	2.31	58.7	2.09	950
2-BLRE-2512	N/A	2-1/2" x 1-1/4"	1.99	50.5	2.36	60.0	2.38	1080
2-BLRE-2515	2-GRE-2515	2-1/2" x 1-1/2"	2.16	54.9	2.51	63.8	2.64	1195
2-BLRE-2520	2-GRE-2520	2-1/2" x 2"	2.39	60.7	2.60	66.0	2.80	1270
2-BLRE-3010	N/A	3" x 1"	2.66	67.6	1.99	50.6	3.17	1440
2-BLRE-3015	2-GRE-3015	3" x 1-1/2"	2.28	58.0	2.83	72.0	3.19	1445
2-BLRE-3020	2-GRE-3020	3" x 2"	2.52	64.0	2.89	73.4	3.80	1724
2-BLRE-3025	2-GRE-3025	3" x 2-1/2"	2.83	71.9	2.30	75.9	4.75	2156
2-BLRE-4020	2-GRE-4020	4" x 2"	2.72	69.0	3.43	87.0	5.05	2289
2-BLRE-4025	2-GRE-4025	4" x 2-1/2"	3.07	78.0	3.54	90.0	5.92	2683
2-BLRE-4030	2-GRE-4030	4" x 3"	3.30	83.8	3.60	91.4	6.78	3075



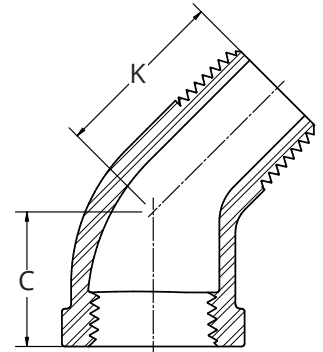
25 Whaley Avenue, PO Box 310  
 Milverton, ON CANADA NOK 1M0  
 Tel: 800-561-3164  
**VISIT US ONLINE AT BOSHART.COM**

For more information on installation, adjustment, repair & operation, visit Boshart Knowledge Base at [SUPPORT.BOSHART.COM](http://SUPPORT.BOSHART.COM)

## 45° Street Elbow - FPT x MPT

Products will meet or exceed these minimum dimensions as defined by the manufacturing standard.

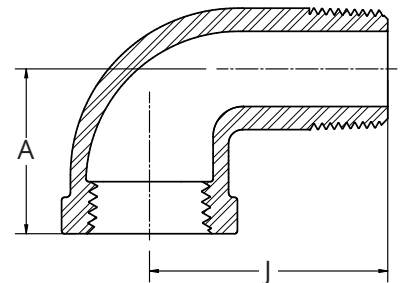
Black	Galvanized	Size	C		K		Weight	
			in	mm	in	mm	lbs	grams
2-BLSE4-01	2-GSE4-01	1/8"	0.63	16.0	0.83	21.0	0.05	23
2-BLSE4-02	2-GSE4-02	1/4"	0.73	18.5	0.94	23.9	0.09	42
2-BLSE4-03	2-GSE4-03	3/8"	0.80	20.3	1.03	26.2	0.13	60
2-BLSE4-05	2-GSE4-05	1/2"	0.88	22.4	1.15	29.2	0.19	87
2-BLSE4-07	2-GSE4-07	3/4"	0.98	24.9	1.29	32.8	0.28	128
2-BLSE4-10	2-GSE4-10	1"	1.12	28.5	1.47	37.3	0.48	216
2-BLSE4-12	2-GSE4-12	1-1/4"	1.29	32.8	1.71	43.4	0.75	341
2-BLSE4-15	2-GSE4-15	1-1/2"	1.73	36.3	1.88	47.8	1.05	478
2-BLSE4-20	2-GSE4-20	2"	1.68	42.7	2.22	56.4	1.73	786
2-BLSE4-25	2-GSE4-25	2-1/2"	1.95	49.5	2.57	65.3	2.79	1265
2-BLSE4-30	2-GSE4-30	3"	2.17	55.1	3.00	76.2	4.49	2038
2-BLSE4-40	2-GSE4-40	4"	2.61	66.3	3.70	94.0	7.23	3503



## 90° Street Elbow - FPT x MPT

Products will meet or exceed these minimum dimensions as defined by the manufacturing standard.

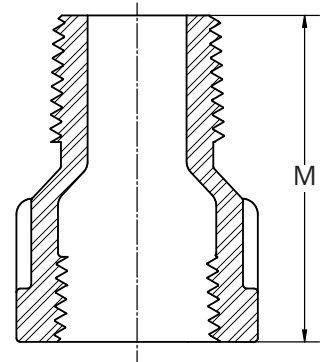
Black	Galvanized	Size	A		J		Weight	
			in	mm	in	mm	lbs	grams
2-BLSE-01	2-GSE-01	1/8"	0.69	17.5	1.00	25.4	0.06	26
2-BLSE-02	2-GSE-02	1/4"	0.81	20.6	1.19	30.2	0.09	41
2-BLSE-03	2-GSE-03	3/8"	0.95	24.1	1.44	36.6	0.15	67
2-BLSE-05	2-GSE-05	1/2"	1.12	28.5	1.62	41.2	0.20	88
2-BLSE-07	2-GSE-07	3/4"	1.31	33.3	1.89	48.0	0.39	178
2-BLSE-10	2-GSE-10	1"	1.50	38.1	2.14	54.4	0.62	279
2-BLSE-12	2-GSE-12	1-1/4"	1.75	44.5	2.25	62.2	0.97	442
2-BLSE-15	2-GSE-15	1-1/2"	1.94	49.3	2.69	68.3	1.36	616
2-BLSE-20	2-GSE-20	2"	2.25	57.2	3.26	82.8	2.01	914
2-BLSE-25	2-GSE-25	2-1/2"	2.70	68.6	3.86	98.0	3.43	1557
2-BLSE-30	2-GSE-30	3"	3.08	78.2	4.51	114.6	5.36	2430
2-BLSE-40	2-GSE-40	4"	3.79	96.3	5.69	144.5	9.35	4240



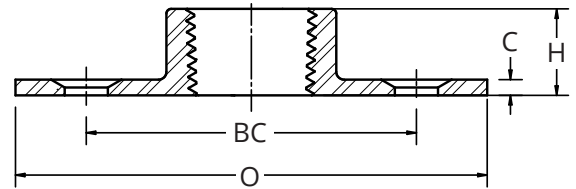
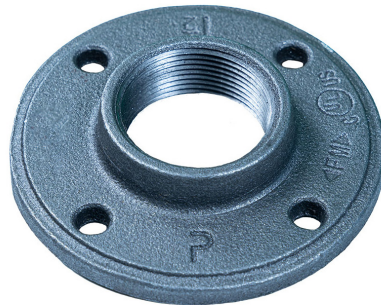
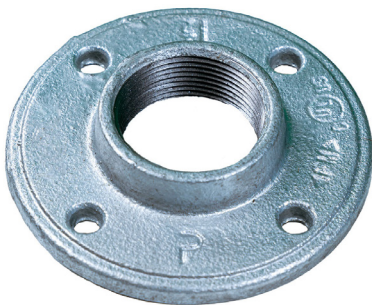
## Extension Piece - FPT x MPT

Products will meet or exceed these minimum dimensions as defined by the manufacturing standard.

Black	Size	M		Weight	
		in	mm	lbs	grams
2-BLXP-05	1/2"	1.57	40.0	0.18	80
2-BLXP-07	3/4"	1.89	48.0	0.28	128
2-BLXP-10	1"	2.17	55.0	0.45	205
2-BLXP-12	1-1/4"	2.36	60.0	0.67	305
2-BLXP-15	1-1/2"	2.56	65.0	0.95	430
2-BLXP-20	2"	2.76	70.0	1.28	581



## Floor Flange - FPT



Products will meet or exceed these minimum dimensions as defined by the manufacturing standard.

Black	Galvanized	Size	O		BC		C		H		Weight	
			in	mm	in	mm	in	mm	in	mm	lbs	grams
2-BLFF-05	2-GFF-05	1/2"	3.5	88.9	0.56	14.3	0.28	7.2	0.50	12.7	0.63	286
2-BLFF-07	2-GFF-07	3/4"	3.5	88.9	0.63	15.9	0.31	7.9	0.63	15.9	0.76	345
2-BLFF-10	2-GFF-10	1"	3.8	101.6	0.69	17.5	0.34	8.7	0.69	17.5	1.01	459
2-BLFF-12	2-GFF-12	1-1/4"	4.2	101.6	0.75	19.1	0.34	8.7	0.75	19.1	1.01	456
2-BLFF-15	2-GFF-15	1-1/2"	4.6	114.3	0.87	22.2	0.37	9.5	0.87	22.2	1.39	630
2-BLFF-20	2-GFF-20	2"	5.2	139.7	1.00	25.4	0.41	10.3	1.00	25.4	2.15	976

**BOSHART**  
INDUSTRIES

25 Whaley Avenue, PO Box 310  
Milverton, ON CANADA NOK 1M0  
Tel: 800-561-3164  
VISIT US ONLINE AT BOSHART.COM

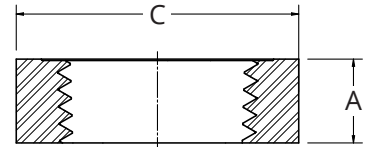
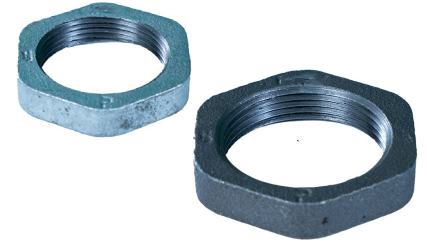
For more information on installation,  
adjustment, repair & operation, visit  
Boshart Knowledge Base at  
SUPPORT.BOSHART.COM



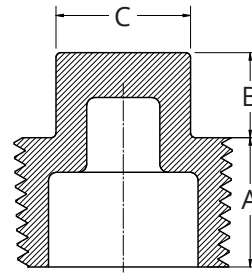
## Locknut - FPT

Products will meet or exceed these minimum dimensions as defined by the manufacturing standard.

Black	Galvanized	Size	A		C		Weight	
			in	mm	in	mm	lbs	grams
N/A	2-GLN-02	1/8"	0.19	4.80	0.69	17.5	0.02	12
2-BLLN-05	2-GLN-05	1/2"	0.31	7.90	1.18	30.0	0.07	31
2-BLLN-07	2-GLN-07	3/4"	0.34	8.60	1.43	36.3	0.08	35
2-BLLN-10	2-GLN-10	1"	0.38	9.70	1.75	44.5	0.13	60
2-BLLN-12	2-GLN-12	1-1/4"	0.42	10.7	2.10	53.3	0.19	87
2-BLLN-15	2-GLN-15	1-1/2"	0.47	11.9	2.35	59.7	0.27	121
N/A	2-GLN-20	2"	0.53	13.5	2.88	73.2	0.41	186



## Plug - MPT



Products will meet or exceed these minimum dimensions as defined by the manufacturing standard.

Black	Galvanized	Size	A		B		C		Weight	
			in	mm	in	mm	in	mm	lbs	grams
2-BLP-01	2-GP-01	1/8"	0.37	9.40	0.24	6.1	0.28	7.1	0.02	8
2-BLP-02	2-GP-02	1/4"	0.44	11.2	0.28	7.1	0.37	9.4	0.03	15
2-BLP-03	2-GP-03	3/8"	0.48	12.2	0.31	7.9	0.38	9.7	0.05	24
2-BLP-05	2-GP-05	1/2"	0.56	14.2	0.38	9.7	0.53	13.5	0.08	38
2-BLP-07	2-GP-07	3/4"	0.63	16.0	0.44	11.2	0.58	14.7	0.10	45
2-BLP-10	2-GP-10	1"	0.75	19.1	0.50	12.7	0.71	18.0	0.20	89
2-BLP-12	2-GP-12	1-1/4"	0.80	20.3	0.56	14.2	0.90	22.9	0.34	153
2-BLP-15	2-GP-15	1-1/2"	0.83	21.1	0.62	15.8	1.10	27.9	0.48	217
2-BLP-20	2-GP-20	2"	0.88	22.4	0.68	17.3	1.30	33.0	0.74	337
2-BLP-25	2-GP-25	2-1/2"	1.07	27.2	0.74	18.8	1.50	38.1	1.01	460
2-BLP-30	2-GP-30	3"	1.13	28.7	0.80	20.3	1.69	42.9	1.66	753
2-BLP-40	2-GP-40	4"	1.22	31.0	1.00	25.4	2.16	54.9	3.10	1408
2-BLP-50	2-GP-50	5"	1.31	33.3	1.00	25.4	2.50	63.5	6.35	2882
2-BLP-60	2-GP-60	6"	1.40	35.6	1.25	31.8	2.62	66.6	10.67	4835

**BOSHART**  
**INDUSTRIES**

25 Whaley Avenue, PO Box 310  
Milverton, ON CANADA NOK 1M0  
Tel: 800-561-3164  
VISIT US ONLINE AT BOSHART.COM

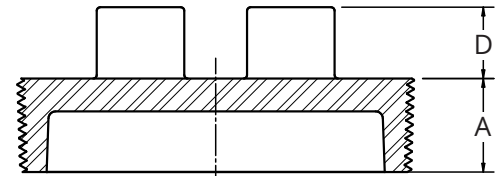
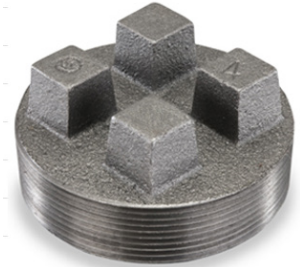
For more information on installation,  
adjustment, repair & operation, visit  
Boshart Knowledge Base at  
SUPPORT.BOSHART.COM



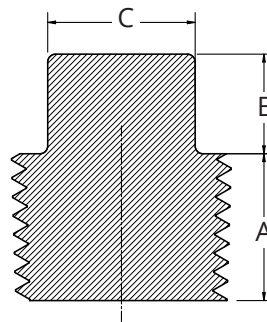
## Bar Plug - MPT

Products will meet or exceed these minimum dimensions as defined by the manufacturing standard.

Black	Size	A		D		Weight	
		in	mm	in	mm	lbs	grams
2-BLP-50-BAR	5"	1.31	33.3	1.00	25.5	5.12	2322



## Solid Plug - MPT



Products will meet or exceed these minimum dimensions as defined by the manufacturing standard.

Black	Size	A		B		C		Weight	
		in	mm	in	mm	in	mm	lbs	grams
2-BLPS-01	1/8"	0.37	9.40	0.24	6.1	0.28	7.1	0.02	9
2-BLPS-02	1/4"	0.44	11.2	0.28	7.1	0.37	9.4	0.03	13
2-BLPS-03	3/8"	0.48	12.2	0.31	7.9	0.38	9.7	0.06	27
2-BLPS-05	1/2"	0.56	14.2	0.38	9.7	0.53	13.5	0.10	45
2-BLPS-07	3/4"	0.63	16.0	0.44	11.2	0.58	14.7	0.18	81
2-BLPS-10	1"	0.75	19.1	0.50	12.7	0.71	18.0	0.32	145
2-BLPS-12	1-1/4"	0.80	20.3	0.56	14.2	0.90	22.9	0.55	249
2-BLPS-15	1-1/2"	0.83	21.1	0.62	15.8	1.10	27.9	0.78	353
2-BLPS-20	2"	0.88	22.4	0.68	17.3	1.30	33.0	1.27	576
2-BLPS-25	2-1/2"	1.07	27.2	0.74	18.8	1.50	38.1	2.08	943
2-BLPS-30	3"	1.13	28.7	0.80	20.3	1.69	42.9	3.35	1519
2-BLPS-40	4"	1.22	31.0	1.00	25.4	2.16	54.9	6.23	2825

**BOSHART**  
INDUSTRIES

25 Whaley Avenue, PO Box 310  
Milverton, ON CANADA NOK 1M0  
Tel: 800-561-3164  
VISIT US ONLINE AT BOSHART.COM

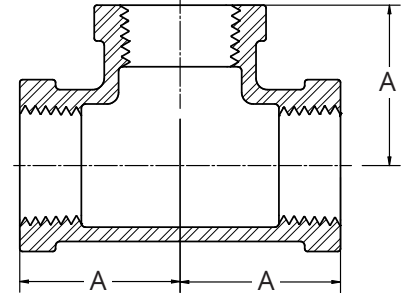
For more information on installation,  
adjustment, repair & operation, visit  
Boshart Knowledge Base at  
SUPPORT.BOSHART.COM



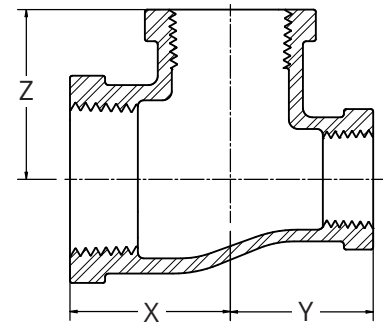
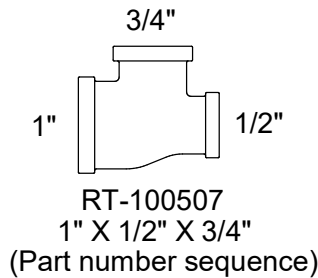
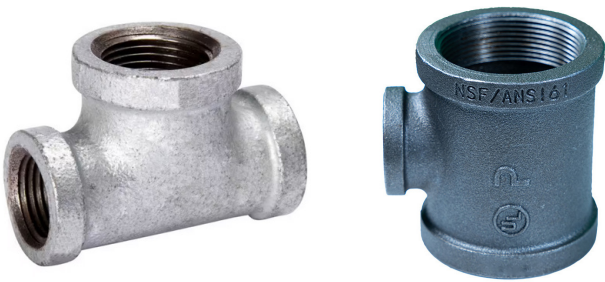
## Tee - FPT

Products will meet or exceed these minimum dimensions as defined by the manufacturing standard.

Black	Galvanized	Size	A		Weight	
			in	mm	lbs	grams
2-BLT-01	2-GT-01	1/8"	0.69	17.5	0.10	46
2-BLT-02	2-GT-02	1/4"	0.81	20.6	0.14	65
2-BLT-03	2-GT-03	3/8"	0.95	24.1	0.22	101
2-BLT-05	2-GT-05	1/2"	1.12	28.5	0.33	150
2-BLT-07	2-GT-07	3/4"	1.31	33.3	0.49	223
2-BLT-10	2-GT-10	1"	1.50	38.1	0.76	344
2-BLT-12	2-GT-12	1-1/4"	1.75	44.5	1.24	564
2-BLT-15	2-GT-15	1-1/2"	1.94	49.3	1.56	706
2-BLT-20	2-GT-20	2"	2.25	57.2	2.50	1134
2-BLT-25	2-GT-25	2-1/2"	2.70	68.6	4.59	2080
2-BLT-30	2-GT-30	3"	3.08	78.2	6.81	3090
2-BLT-40	2-GT-40	4"	3.79	96.3	10.94	4963
2-BLT-50	2-GT-50	5"	4.50	114.3	20.95	9504
2-BLT-60	2-GT-60	6"	5.13	130.3	28.63	12983



## Reducing Tee - FPT



Products will meet or exceed these minimum dimensions as defined by the manufacturing standard.

Black	Galvanized	Size	X		Y		Z		Weight	
			in	mm	in	mm	in	mm	lbs	grams
2-BLRT-020201	N/A	1/4" x 1/4" x 1/8"	0.74	18.8	0.74	18.8	0.76	19.3	0.13	61
2-BLRT-030301	N/A	3/8" x 3/8" x 1/8"	0.81	20.6	0.81	20.6	0.85	21.6	0.19	117
2-BLRT-030302	2-GRT-030302	3/8" x 3/8" x 1/4"	0.88	22.4	0.88	22.4	0.90	22.9	0.26	85
2-BLRT-050501	N/A	1/2" x 1/2" x 1/8"	0.91	23.1	0.91	23.1	0.97	24.6	0.26	115
2-BLRT-050502	2-GRT-050502	1/2" x 1/2" x 1/4"	0.97	24.6	0.97	24.6	0.98	24.9	0.28	125
2-BLRT-050503	2-GRT-050503	1/2" x 1/2" x 3/8"	1.04	26.4	1.04	26.4	1.03	26.2	0.29	133
2-BLRT-050507	2-GRT-050507	1/2" x 1/2" x 3/4"	1.22	31.0	1.22	31.0	1.20	30.5	0.40	180
2-BLRT-050510	2-GRT-050510	1/2" x 1/2" x 1"	1.36	34.6	1.36	34.6	1.26	32.0	0.53	239

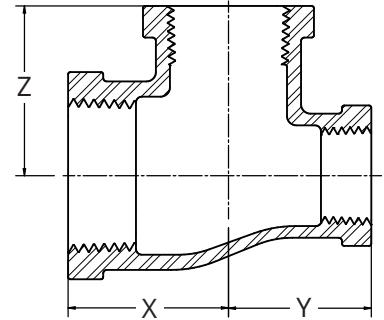
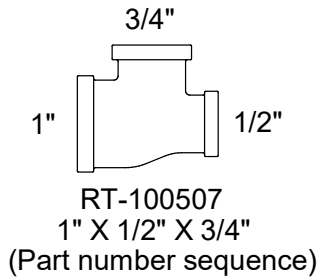


25 Whaley Avenue, PO Box 310  
Milverton, ON CANADA NOK 1M0  
Tel: 800-561-3164  
VISIT US ONLINE AT BOSHART.COM

For more information on installation, adjustment, repair & operation, visit Boshart Knowledge Base at SUPPORT.BOSHART.COM



# Reducing Tee - FPT



Products will meet or exceed these minimum dimensions as defined by the manufacturing standard.

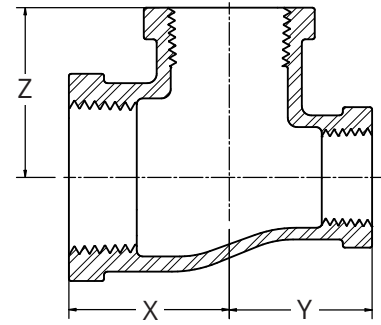
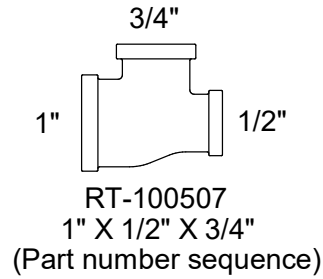
Black	Galvanized	Size	X		Y		Z		Weight	
			in	mm	in	mm	in	mm	lbs	grams
2-BLRT-070505	2-GRT-070505	3/4" x 1/2" x 1/2"	1.20	30.5	1.12	28.5	1.22	31.0	0.40	181
2-BLRT-070507	2-GRT-070507	3/4" x 1/2" x 3/4"	1.31	33.3	1.22	31.0	1.31	33.3	0.53	240
2-BLRT-070510	N/A	3/4" x 1/2" x 1"	1.50	38.0	1.30	33.0	1.34	34.0	0.55	250
2-BLRT-070702	2-GRT-070702	3/4" x 3/4" x 1/4"	1.05	26.7	1.05	26.7	1.08	27.4	0.37	166
2-BLRT-070703	2-GRT-070703	3/4" x 3/4" x 3/8"	1.12	28.5	1.12	28.5	1.13	28.7	0.42	188
2-BLRT-070705	2-GRT-070705	3/4" x 3/4" x 1/2"	1.20	30.5	1.20	30.5	1.22	31.0	0.42	191
2-BLRT-070710	2-GRT-070710	3/4" x 3/4" x 1"	1.45	36.8	1.45	36.8	1.37	34.8	0.71	324
2-BLRT-100505	2-GRT-100505	1" x 1/2" x 1/2"	1.26	32.0	1.52	38.5	1.40	35.5	0.53	239
2-BLRT-100507	2-GRT-100507	1" x 1/2" x 3/4"	1.37	34.8	1.22	31.0	1.45	36.8	0.61	275
2-BLRT-100510	2-GRT-100510	1" x 1/2" x 1"	1.50	38.1	1.40	35.5	1.50	38.1	0.75	341
2-BLRT-100705	2-GRT-100705	1" x 3/4" x 1/2"	1.26	32.0	1.20	30.5	1.40	35.5	0.57	260
2-BLRT-100707	2-GRT-100707	1" x 3/4" x 3/4"	1.37	34.8	1.31	33.3	1.45	36.8	0.67	305
2-BLRT-100710	2-GRT-100710	1" x 3/4" x 1"	1.50	38.1	1.45	36.8	1.50	38.1	0.81	368
2-BLRT-101002	2-GRT-101002	1" x 1" x 1/4"	1.11	28.2	1.11	28.2	1.22	31.0	0.53	241
2-BLRT-101003	2-GRT-101003	1" x 1" x 3/8"	1.18	30.0	1.18	30.0	1.27	32.3	0.63	285
2-BLRT-101005	2-GRT-101005	1" x 1" x 1/2"	1.26	32.0	1.26	32.0	1.40	35.5	0.64	291
2-BLRT-101007	2-GRT-101007	1" x 1" x 3/4"	1.37	34.8	1.37	34.8	1.45	36.8	1.03	465
2-BLRT-101012	2-GRT-101012	1" x 1" x 1-1/4"	1.67	42.4	1.67	42.4	1.58	40.1	1.03	465
2-BLRT-101015	2-GRT-101015	1" x 1" x 1-1/2"	1.80	45.7	1.80	45.7	1.65	41.9	1.12	506
2-BLRT-101020	N/A	1" x 1" x 2"	2.02	51.3	2.02	51.3	1.93	48.9	1.44	655
2-BLRT-120505	N/A	1-1/4" x 1/2" x 1/2"	1.34	34.0	1.06	27.0	1.50	38.0	0.62	283
2-BLRT-120507	N/A	1-1/4" x 1/2" x 3/4"	1.75	44.5	1.53	38.9	1.75	44.5	0.65	296
2-BLRT-120510	N/A	1-1/4" x 1/2" x 1"	1.58	40.1	1.36	34.5	1.67	42.4	0.93	421
2-BLRT-120512	2-GRT-120512	1-1/4" x 1/2" x 1-1/4"	1.75	44.5	1.53	38.9	1.75	44.5	0.96	435
2-BLRT-120705	2-GRT-120705	1-1/4" x 3/4" x 1/2"	1.57	40.0	1.46	37.0	1.67	42.5	0.66	298
2-BLRT-120707	2-GRT-120707	1-1/4" x 3/4" x 3/4"	1.45	36.8	0.13	3.3	1.62	41.2	0.80	363
2-BLRT-120710	2-GRT-120710	1-1/4" x 3/4" x 1"	1.58	40.1	1.45	36.8	1.67	42.4	0.89	402
2-BLRT-120712	2-GRT-120712	1-1/4" x 3/4" x 1-1/4"	1.75	44.5	1.62	41.2	1.75	44.5	1.08	488



25 Whaley Avenue, PO Box 310  
 Milverton, ON CANADA NOK 1M0  
 Tel: 800-561-3164  
**VISIT US ONLINE AT BOSHART.COM**

For more information on installation, adjustment, repair & operation, visit Boshart Knowledge Base at [SUPPORT.BOSHART.COM](http://SUPPORT.BOSHART.COM)

## Reducing Tee - FPT



Products will meet or exceed these minimum dimensions as defined by the manufacturing standard.

Black	Galvanized	Size	X		Y		Z		Weigh	
			in	mm	in	mm	in	mm	lbs	grams
2-BLRT-121005	2-GRT-121005	1-1/4" x 1" x 1/2"	1.34	34.0	1.26	32.0	1.53	38.9	0.74	336
2-BLRT-121007	2-GRT-121007	1-1/4" x 1" x 3/4"	1.45	36.8	1.37	34.8	1.62	41.2	1.05	478
2-BLRT-121010	2-GRT-121010	1-1/4" x 1" x 1"	1.58	40.1	1.50	38.1	1.67	42.4	1.05	478
2-BLRT-121012	2-GRT-121012	1-1/4" x 1" x 1-1/4"	1.75	44.5	1.67	42.4	1.75	44.5	1.15	521
2-BLRT-121015	N/A	1-1/4" x 1" x 1-1/2"	1.34	34.0	1.26	32.0	1.53	38.9	1.38	627
2-BLRT-121202	N/A	1-1/4" x 1-1/4" x 1/4"	1.18	30.0	1.18	30.0	1.44	36.6	0.91	411
2-BLRT-121203	2-GRT-121203	1-1/4" x 1-1/4" x 3/8"	1.26	32.0	1.26	32.0	1.44	36.6	0.84	381
2-BLRT-121205	2-GRT-121205	1-1/4" x 1-1/4" x 1/2"	1.34	34.0	1.34	34.0	1.53	38.9	0.93	420
2-BLRT-121207	2-GRT-121207	1-1/4" x 1-1/4" x 3/4"	1.45	36.8	1.45	36.8	1.62	41.2	0.99	448
2-BLRT-121210	2-GRT-121210	1-1/4" x 1-1/4" x 1"	1.58	40.1	1.28	40.1	1.67	42.4	1.08	490
2-BLRT-121215	N/A	1-1/4" x 1-1/4" x 1-1/2"	1.88	47.8	1.88	47.8	1.82	46.2	1.53	695
2-BLRT-121220	N/A	1-1/4" x 1-1/4" x 2"	2.13	54.1	2.13	54.1	1.89	48.0	1.68	760
2-BLRT-150507	N/A	1-1/2" x 1/2" x 3/4"	1.56	39.6	1.18	29.9	1.80	45.7	0.78	352
2-BLRT-150510	2-GRT-150510	1-1/2" x 1/2" x 1"	1.65	41.9	1.35	34.3	1.80	45.7	0.98	446
2-BLRT-150512	N/A	1-1/2" x 1/2" x 1-1/4"	1.73	44.0	1.34	34.0	1.81	46.0	1.19	537
2-BLRT-150515	2-GRT-150515	1-1/2" x 1/2" x 1-1/2"	1.94	49.3	1.66	42.2	1.94	49.3	1.37	620
2-BLRT-150705	N/A	1-1/2" x 3/4" x 1/2"	1.35	34.3	1.12	28.4	1.77	44.9	0.88	400
2-BLRT-150707	N/A	1-1/2" x 3/4" x 3/4"	1.50	38.0	1.26	32.0	1.69	43.0	1.09	493
2-BLRT-150712	N/A	1-1/2" x 3/4" x 1-1/4"	1.81	46.0	1.61	41.0	1.89	48.0	1.26	572
2-BLRT-150715	2-GRT-150715	1-1/2" x 3/4" x 1-1/2"	1.94	49.3	1.75	44.5	1.94	49.3	1.38	628
2-BLRT-151007	2-GRT-151007	1-1/2" x 1" x 3/4"	1.57	40.0	1.38	35.0	1.69	43.0	1.30	591
2-BLRT-151010	2-GRT-151010	1-1/2" x 1" x 1"	1.65	41.9	1.50	38.1	1.80	45.7	1.18	535
2-BLRT-151012	N/A	1-1/2" x 1" x 1-1/4"	1.82	46.2	1.67	42.4	1.88	47.8	1.23	558
2-BLRT-151015	2-GRT-151015	1-1/2" x 1" x 1-1/2"	1.94	49.3	1.80	45.7	1.94	49.3	1.57	713
2-BLRT-151205	2-GRT-151205	1-1/2" x 1-1/4" x 1/2"	1.41	35.8	1.34	34.0	1.66	42.2	1.08	488
2-BLRT-151207	2-GRT-151207	1-1/2" x 1-1/4" x 3/4"	1.52	38.6	1.43	36.3	1.75	44.5	1.09	495
2-BLRT-151210	2-GRT-151210	1-1/2" x 1-1/4" x 1"	1.65	41.9	1.58	40.1	1.80	45.7	1.25	565

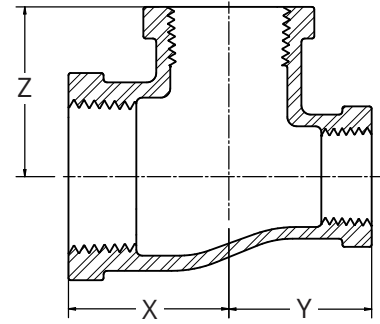
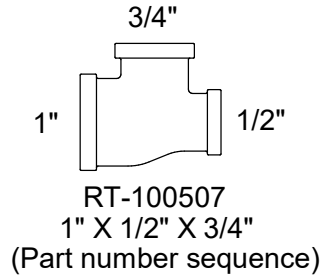
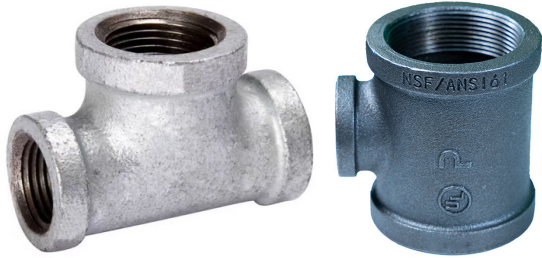


25 Whaley Avenue, PO Box 310  
 Milverton, ON CANADA NOK 1M0  
 Tel: 800-561-3164  
**VISIT US ONLINE AT BOSHART.COM**

For more information on installation,  
 adjustment, repair & operation, visit  
 Boshart Knowledge Base at  
 SUPPORT.BOSHART.COM



# Reducing Tee - FPT



Products will meet or exceed these minimum dimensions as defined by the manufacturing standard.

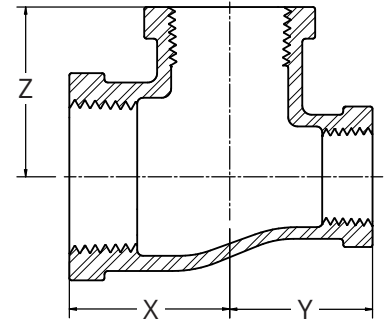
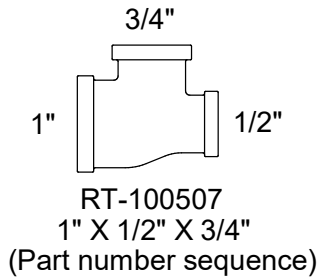
Black	Galvanized	Size	X		Y		Z		Weight	
			in	mm	in	mm	in	mm	lbs	grams
2-BLRT-151212	2-GRT-151212	1-1/2" x 1-1/4" x 1-1/4"	1.82	46.2	1.75	44.5	1.88	47.8	1.40	635
2-BLRT-151215	2-GRT-151215	1-1/2" x 1-1/4" x 1-1/2"	1.88	47.8	1.88	47.8	1.82	46.2	1.63	740
2-BLRT-151220	N/A	1-1/2" x 1-1/4" x 2"	2.17	55.0	2.11	53.5	2.03	51.5	1.80	816
2-BLRT-151505	2-GRT-151505	1-1/2" x 1-1/2" x 1/2"	1.41	35.8	1.41	35.8	1.66	42.2	1.09	494
2-BLRT-151507	2-GRT-151507	1-1/2" x 1-1/2" x 3/4"	1.52	38.6	1.52	38.6	1.75	44.5	1.24	561
2-BLRT-151510	2-GRT-151510	1-1/2" x 1-1/2" x 1"	1.65	41.9	1.65	41.9	1.80	45.7	1.34	606
2-BLRT-151512	2-GRT-151512	1-1/2" x 1-1/2" x 1-1/4"	1.82	46.2	1.82	46.2	3.10	47.8	1.49	676
2-BLRT-151520	2-GRT-151520	1-1/2" x 1-1/2" x 2"	2.16	54.9	2.16	54.9	2.02	51.3	1.98	897
2-BLRT-200520	2-GRT-200520	2" x 1/2" x 2"	2.25	57.2	1.88	47.8	2.25	57.2	2.08	942
2-BLRT-200707	N/A	2" x 3/4" x 3/4"	1.61	41.0	1.26	32.0	1.93	49.0	1.17	530
2-BLRT-200720	2-GRT-200720	2" x 3/4" x 2"	2.25	57.2	1.97	50.0	2.25	57.2	2.12	962
2-BLRT-201010	2-GRT-201010	2" x 1" x 1"	1.73	44.0	1.50	38.0	2.01	51.0	1.45	657
2-BLRT-201015	N/A	2" x 1" x 1-1/2"	2.02	51.3	1.80	45.7	2.16	54.9	1.71	776
2-BLRT-201020	2-GRT-201020	2" x 1" x 2"	2.25	57.2	2.02	51.3	2.25	57.2	2.18	990
2-BLRT-201210	N/A	2" x 1-1/4" x 1"	1.57	40.0	1.73	44.0	2.01	51.0	1.75	792
2-BLRT-201212	2-GRT-201212	2" x 1-1/4" x 1-1/4"	1.90	48.3	1.75	44.5	2.10	53.3	1.66	754
2-BLRT-201215	2-GRT-201215	2" x 1-1/4" x 1-1/2"	2.02	51.3	1.88	47.8	2.16	54.9	1.87	849
2-BLRT-201220	2-GRT-201220	2" x 1-1/4" x 2"	2.25	57.2	2.10	53.3	2.25	57.2	2.22	1007
2-BLRT-201507	N/A	2" x 1-1/2" x 3/4"	1.56	39.5	1.48	37.5	1.93	49.0	1.38	625
2-BLRT-201510	2-GRT-201510	2" x 1-1/2" x 1"	1.73	43.9	1.65	41.9	2.02	51.3	1.61	730
2-BLRT-201512	2-GRT-201512	2" x 1-1/2" x 1-1/4"	1.90	48.3	1.82	46.2	2.10	53.3	1.93	875
2-BLRT-201515	2-GRT-201515	2" x 1-1/2" x 1-1/2"	2.02	51.3	1.94	49.3	2.16	54.9	1.95	883
2-BLRT-201520	2-GRT-201520	2" x 1-1/2" x 2"	2.25	57.2	2.16	54.8	2.25	57.2	2.05	927
2-BLRT-202005	2-GRT-202005	2" x 2" x 1/2"	1.49	37.9	1.49	37.9	1.88	47.8	1.57	712
2-BLRT-202007	2-GRT-202007	2" x 2" x 3/4"	1.60	40.6	1.60	40.6	1.97	50.0	1.76	795
2-BLRT-202010	2-GRT-202010	2" x 2" x 1"	1.73	43.9	1.73	43.9	2.02	51.3	1.84	834
2-BLRT-202012	2-GRT-202012	2" x 2" x 1-1/4"	1.90	48.3	1.90	48.3	2.10	53.3	2.04	926
2-BLRT-202015	2-GRT-202015	2" x 2" x 1-1/2"	2.02	51.3	2.02	51.3	2.16	54.9	2.23	1010
2-BLRT-202025	N/A	2" x 2" x 2-1/2"	2.60	66.0	2.60	66.0	2.39	60.7	3.36	1526



25 Whaley Avenue, PO Box 310  
 Milverton, ON CANADA NOK 1M0  
 Tel: 800-561-3164  
**VISIT US ONLINE AT BOSHART.COM**

For more information on installation, adjustment, repair & operation, visit Boshart Knowledge Base at [SUPPORT.BOSHART.COM](http://SUPPORT.BOSHART.COM)

## Reducing Tee - FPT



Products will meet or exceed these minimum dimensions as defined by the manufacturing standard.

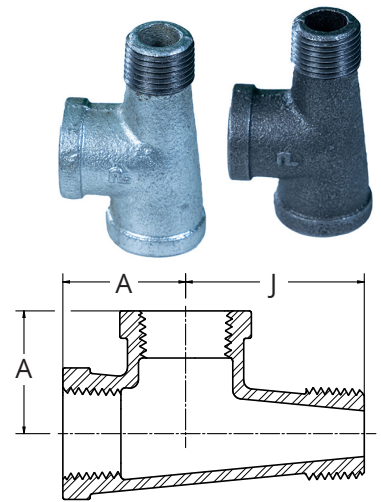
Black	Galvanized	Size	X		Y		Z		Weight	
			in	mm	in	mm	in	mm	lbs	grams
2-BLRT-251525	N/A	2-1/2" x 1-1/2" x 2-1/2"	2.70	68.6	2.51	63.8	2.70	68.6	3.93	1781
2-BLRT-252020	N/A	2-1/2" x 2" x 2"	2.39	60.7	2.25	57.2	2.60	66.0	3.13	1420
2-BLRT-252025	2-GRT-252025	2-1/2" x 2" x 2-1/2"	2.70	68.6	2.60	66.0	2.70	68.6	4.08	1850
2-BLRT-252505	N/A	2-1/2" x 2-1/2" x 1/2"	1.61	41.0	1.61	41.0	2.24	57.0	2.72	1235
2-BLRT-252507	2-GRT-252507	2-1/2" x 2-1/2" x 3/4"	1.74	44.2	1.74	44.2	2.32	58.9	2.72	1235
2-BLRT-252510	2-GRT-252510	2-1/2" x 2-1/2" x 1"	1.87	47.5	1.87	47.5	2.37	60.2	2.78	1261
2-BLRT-252512	N/A	2-1/2" x 2-1/2" x 1-1/4"	2.04	51.8	2.04	51.8	2.45	62.2	3.35	1520
2-BLRT-252515	2-GRT-252515	2-1/2" x 2-1/2" x 1-1/2"	2.16	54.9	2.16	54.9	2.51	63.8	3.58	1626
2-BLRT-252520	2-GRT-252520	2-1/2" x 2-1/2" x 2"	2.39	60.7	2.34	60.7	2.60	66.0	3.84	1740
2-BLRT-302020	2-GRT-302020	3" x 2" x 2"	2.52	64.0	2.25	57.2	2.89	73.4	3.98	1805
2-BLRT-302030	2-GRT-302030	3" x 2" x 3"	3.08	78.2	2.89	73.4	3.08	78.2	4.20	1905
2-BLRT-303005	2-GRT-303005	3" x 3" x 1/2"	1.80	45.7	1.80	45.7	2.57	65.3	4.21	1907
2-BLRT-303007	2-GRT-303007	3" x 3" x 3/4"	1.87	47.5	1.87	47.5	2.61	66.3	4.16	1887
2-BLRT-303010	2-GRT-303010	3" x 3" x 1"	2.00	50.8	2.00	50.8	2.66	67.6	4.25	1928
2-BLRT-303012	2-GRT-303012	3" x 3" x 1-1/4"	2.17	55.1	2.17	55.1	2.74	69.6	4.49	2036
2-BLRT-303015	2-GRT-303015	3" x 3" x 1-1/2"	2.29	58.2	2.29	58.2	2.80	71.1	4.73	2145
2-BLRT-303020	2-GRT-303020	3" x 3" x 2"	2.52	64.0	2.52	64.0	2.89	73.4	5.31	2407
2-BLRT-303025	2-GRT-303025	3" x 3" x 2-1/2"	2.83	71.9	2.83	71.9	2.99	76.0	5.81	2634
2-BLRT-404010	2-GRT-404010	4" x 4" x 1"	2.20	56.0	2.20	56.0	3.23	82.0	6.08	2758
2-BLRT-404012	N/A	4" x 4" x 1-1/4"	2.36	60.0	2.36	60.0	3.31	84.0	7.02	3185
2-BLRT-404015	N/A	4" x 4" x 1-1/2"	2.51	63.8	2.51	63.8	3.32	84.3	6.87	3115
2-BLRT-404020	2-GRT-404020	4" x 4" x 2"	2.74	69.6	2.74	69.6	3.41	86.6	7.70	3493
2-BLRT-404025	2-GRT-404025	4" x 4" x 2-1/2"	3.05	77.5	3.05	77.5	3.51	89.2	8.84	4010
2-BLRT-404030	2-GRT-404030	4" x 4" x 3"	3.30	83.8	3.30	83.8	3.60	91.4	10.06	4565



## Street Tee - MPT x FPT x FPT

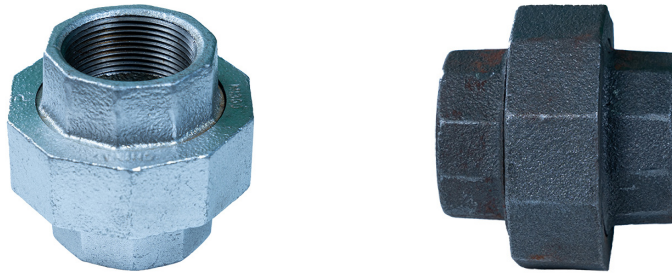
Products will meet or exceed these minimum dimensions as defined by the manufacturing standard.

Black	Galvanized	Size	A		J		Weight	
			in	mm	in	mm	lbs	grams
2-BLST-05	2-GST-05	1/2"	1.12	28.5	1.62	41.2	0.28	127
2-BLST-07	2-GST-07	3/4"	1.31	33.3	1.89	48.0	0.52	235
2-BLST-10	2-GST-10	1"	1.50	38.1	2.14	54.4	0.79	358
2-BLST-12	2-GST-12	1-1/4"	1.75	44.5	2.45	62.2	1.30	589
2-BLST-15	2-GST-15	1-1/2"	1.94	49.3	2.69	68.3	1.53	694
2-BLST-20	N/A	2"	2.25	57.2	3.26	82.8	2.45	1111



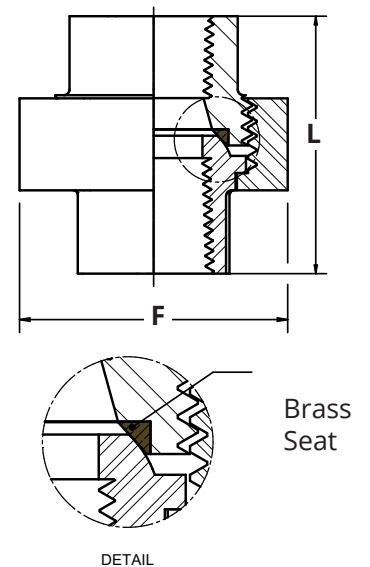
## Union - FPT

Brass Seat



Products will meet or exceed these minimum dimensions as defined by the manufacturing standard.

Black	Galvanized	Size	F (Flat-to-Flat)		L		Weight	
			in	mm	in	mm	lbs	grams
2-BLU-01	2-GU-01	1/8"	0.93	23.5	1.26	32.0	0.14	63
2-BLU-02	2-GU-02	1/4"	1.10	28.0	1.44	36.5	0.22	98
2-BLU-03	2-GU-03	3/8"	1.26	32.0	1.61	41.0	0.32	145
2-BLU-05	2-GU-05	1/2"	1.45	37.0	1.72	43.5	0.43	192
2-BLU-07	2-GU-07	3/4"	1.71	43.5	1.94	49.5	0.62	281
2-BLU-10	2-GU-10	1"	2.07	52.5	2.06	52.5	0.89	404
2-BLU-12	2-GU-12	1-1/4"	2.50	63.5	2.26	57.5	1.38	625
2-BLU-15	2-GU-15	1-1/2"	2.82	71.5	2.41	61.0	1.74	790
2-BLU-20	2-GU-20	2"	3.41	86.5	2.75	70.0	2.60	1181
2-BLU-25	2-GU-25	2-1/2"	4.12	104.5	3.22	82.0	4.57	2072
2-BLU-30	2-GU-30	3"	4.75	120.5	3.50	89.0	6.07	2752
2-BLU-40	2-GU-40	4"	6.00	152.5	3.85	98.0	11.09	5028
2-BLU-60	2-GU-60	6"	8.88	225.6	5.30	134.6	23.06	10459



**BOSHART**  
**INDUSTRIES**

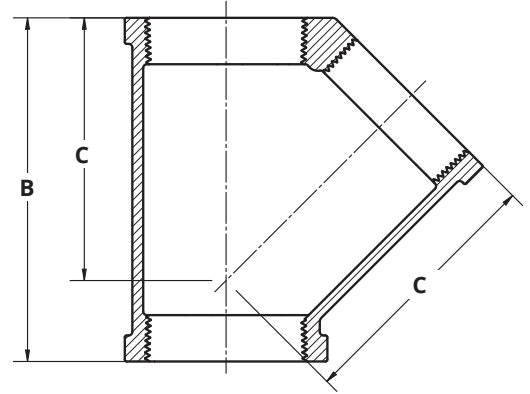
25 Whaley Avenue, PO Box 310  
Milverton, ON CANADA NOK 1M0  
Tel: 800-561-3164  
**VISIT US ONLINE AT BOSHART.COM**

For more information on installation,  
adjustment, repair & operation, visit  
Boshart Knowledge Base at  
SUPPORT.BOSHART.COM



## Lateral Wye - FPT

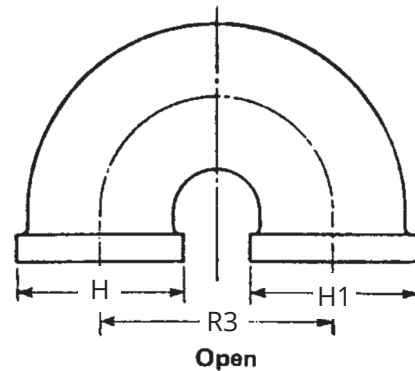
\*\* 2-BLLY & 2-GLY LATERAL WYES ARE NOT INCLUDED IN NSF CERTIFICATES



Products will meet or exceed these minimum dimensions as defined by the manufacturing standard.

Black	Galvanized	Size	B		C		Weight	
			in	mm	in	mm	lbs	grams
2-BLLY-05	2-GLY-05	1/2"	2.32	58.9	1.71	43.4	0.37	170
2-BLLY-07	2-GLY-07	3/4"	2.77	70.4	2.05	52.1	0.58	264
2-BLLY-10	2-GLY-10	1"	3.28	83.3	2.43	61.7	0.90	406
2-BLLY-12	2-GLY-12	1-1/4"	3.94	100.0	2.92	74.2	1.43	647
2-BLLY-15	2-GLY-15	1-1/2"	4.38	111.3	3.28	83.3	1.90	862
2-BLLY-20	2-GLY-20	2"	5.17	131.3	3.93	99.8	2.95	1340
2-BLLY-25	N/A	2-1/2"	6.25	158.8	4.72	120.0	5.74	2603
2-BLLY-30	N/A	3"	7.26	184.4	5.55	141.0	8.66	3928

## Return Bend Elbow - FPT



Products will meet or exceed these minimum dimensions as defined by the manufacturing standard.

Black	Galvanized	Size	H		H1		R3		Weight	
			in	mm	in	mm	in	mm	lbs	grams
N/A	2-GRBE-10	1"	1.77	45.0	1.77	45.0	2.50	63.5	1.10	498
N/A	2-GRBE-12	1-1/4"	2.15	54.7	2.15	54.7	3.00	76.2	1.75	793
N/A	2-GRBE-15	1-1/2"	2.43	61.6	2.43	61.6	3.50	88.9	2.44	1106
N/A	2-GRBE-20	2"	2.96	75.3	2.96	75.3	4.00	101.6	3.58	1623

**BOSHART**  
**INDUSTRIES**

25 Whaley Avenue, PO Box 310  
Milverton, ON CANADA NOK 1M0  
Tel: 800-561-3164

VISIT US ONLINE AT BOSHART.COM

For more information on installation,  
adjustment, repair & operation, visit  
Boshart Knowledge Base at  
SUPPORT.BOSHART.COM

