

# CLASS 125 CAST BRONZE & NO LEAD BRONZE FITTINGS AND CLASS 150 COMPANION FLANGES

## MATERIAL SPECIFICATIONS:

- ASTM B584 Copper Alloy Sand Casting (Standard Specification for Copper Alloy Sand Castings for General Applications)
- C83600 Bronze for 2-BR leaded bronze series fittings and companion flanges
- C89833 NL Bronze for NLBR no lead bronze series fittings and companion flanges
- For steam, water, oil, and air service

## DIMENSIONAL SPECIFICATIONS:

- ANSI/ASME B16.15 Threaded Fittings (Standard Specification for Cast Copper Alloy Threaded Fittings: Classes 125 and 250)
- ANSI/ASME B16.24 Flanges - For Class 150 companion flanges (Standard Specification for Cast Copper Alloy Pipe Flanges, Flanged Fittings, and Valves: Classes 150, 300, 600, 900, 1500, and 2500)
- NPFC-A-A-59617 Unions (Specification for Unions, Brass or Bronze, Threaded Pipe Connections and Solder-Joint Tube Connections)

## THREAD SPECIFICATIONS:

- ANSI/ASME B1.20.1 Pipe Threads (Standard Specification for Pipe Threads, General Purpose, Inch)

## CERTIFICATION: (For Class 125 Cast No Lead Bronze Parts Only, Class 150 companion flanges not covered by NSF/ANSI certificates)

- NSF/ANSI 61 Standard 61 Certified (Drinking Water System Components - Health Effects)
- NSF/ANSI 372 Standard 372 Certified (Drinking Water System Components - Lead Content)

**CRN registered in select Canadian provinces. Provincial CRN numbers available upon request.**

**\* Excluded from fittings covered by CRN: NLBRRC-1505-3, Unions, Locknuts, Class 125 & Class 150 Floor Flanges**



**ANSI/ASME B16.15 Pressure-Temperature Ratings for Cast Bronze Threaded Fittings - Class 125**

Temperature		Non-Shock Maximum Working Pressure	
°C	°F	PSI	bar
-28.8	-20	200	13.8
65.5	150	200	13.8
93.3	200	190	13.1
121.1	250	180	12.4
148.8	300	165	11.4
176.6	350	150	10.3
204.4	400	125	8.6

1. Ratings are independent of the contained fluid and are the maximum non-shock pressures at the tabulated temperatures. Pressure for intermediate temperatures may be determined by interpolation.
2. Temperatures indicated are the material temperatures of the pressure retaining structure. It is implied that the material temperature is the same as the fluid temperature.

**BOSHART**  
**INDUSTRIES**

25 Whaley Avenue, PO Box 310, Milverton, ON CANADA N0K 1M0  
Tel: 800-561-3164

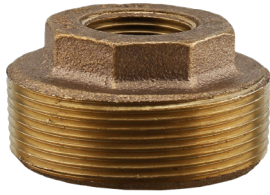
VISIT US ONLINE AT [BOSHART.COM](http://BOSHART.COM)

For more information on installation, adjustment, repair & operation, visit Boshart Knowledge Base at [SUPPORT.BOSHART.COM](http://SUPPORT.BOSHART.COM)



# CLASS 125 CAST BRONZE & NL BRONZE FITTINGS

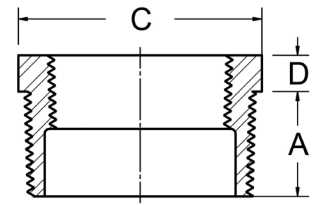
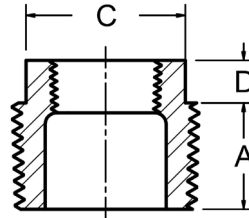
## Bushing - MPT x FPT



Inside Hex Head



Outside Hex Head



† Inside Hex Head \* Octagon Head

Bronze	No Lead Bronze	Size	A		D		C	
			in	mm	in	mm	in	mm
N/A	NLBRB-0201	1/4" x 1/8"	0.44	11	0.14	4	0.64	16
N/A	NLBRB-0301	3/8" x 1/8"	0.48	12	0.16	4	0.68	17
2-BRB-0302	NLBRB-0302	3/8" x 1/4"	0.48	12	0.16	4	0.68	17
2-BRB-0501-3	NLBRB-0501-3	1/2" x 1/8"	0.56	14	0.19	5	0.87	22
N/A	NLBRB-0502	1/2" x 1/4"	0.56	14	0.19	5	0.87	22
2-BRB-0503	NLBRB-0503	1/2" x 3/8"	0.56	14	0.19	5	0.87	22
N/A	NLBRB-0701-3	3/4" x 1/8"	0.63	16	0.22	6	1.15	29
N/A	NLBRB-0702-3	3/4" x 1/4"	0.63	16	0.22	6	1.15	29
N/A	NLBRB-0703	3/4" x 3/8"	0.63	16	0.22	6	1.15	29
N/A	NLBRB-0705	3/4" x 1/2"	0.63	16	0.22	6	1.15	29
N/A	NLBRB-1002-3 †	1" x 1/4"	0.75	19	0.3	8	1.42	36
N/A	NLBRB-1003-3 †	1" x 3/8"	0.75	19	0.3	8	1.42	36
N/A	NLBRB-1005	1" x 1/2"	0.75	19	0.25	6	1.12	28
N/A	NLBRB-1007	1" x 3/4"	0.75	19	0.25	6	1.12	28
N/A	NLBRB-1202-3	1-1/4" x 1/4"	0.80	20	0.34	9	1.12	28
2-BRB-1203-3 †	NLBRB-1203-3 †	1-1/4" x 3/8"	0.80	20	0.34	9	1.12	28
2-BRB-1205-3 †	NLBRB-1205-3 †	1-1/4" x 1/2"	0.80	20	0.34	9	1.34	34
N/A	NLBRB-1207	1-1/4" x 3/4"	0.80	20	0.28	7	1.76	45
N/A	NLBRB-1210	1-1/4" x 1"	0.80	20	0.28	7	1.76	45
N/A	NLBRB-1505-3 †	1-1/2" x 1/2"	0.83	21	0.37	9	1.34	34
N/A	NLBRB-1507-3 †	1-1/2" x 3/4"	0.83	21	0.37	9	1.63	41
N/A	NLBRB-1510	1-1/2" x 1"	0.83	21	0.31	8	2.00	51
2-BRB-1512	NLBRB-1512	1-1/2" x 1-1/4"	0.83	21	0.31	8	2.00	51
N/A	NLBRB-2005-3 †	2" x 1/2"	0.88	22	0.41	10	1.34	34
N/A	NLBRB-2007-3 †	2" x 3/4"	0.88	22	0.41	10	1.63	41
N/A	NLBRB-2010-3 †	2" x 1"	0.88	22	0.41	10	1.95	50
N/A	NLBRB-2012 *	2" x 1-1/4"	0.88	22	0.34	9	2.48	63
N/A	NLBRB-2015 *	2" x 1-1/2"	0.88	22	0.34	9	2.48	63



25 Whaley Avenue, PO Box 310, Milverton, ON CANADA N0K 1M0  
Tel: 800-561-3164

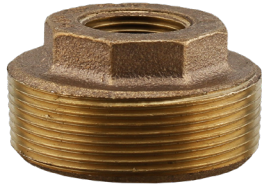
VISIT US ONLINE AT BOSHART.COM

For more information on installation, adjustment, repair & operation, visit Boshart Knowledge Base at [SUPPORT.BOSHART.COM](http://SUPPORT.BOSHART.COM)



# CLASS 125 CAST BRONZE & NL BRONZE FITTINGS

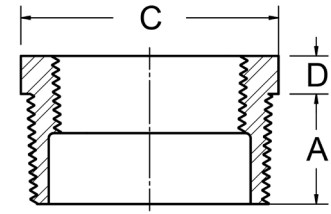
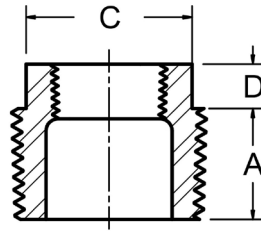
## Bushing - MPT x FPT



Inside Hex Head



Outside Hex Head

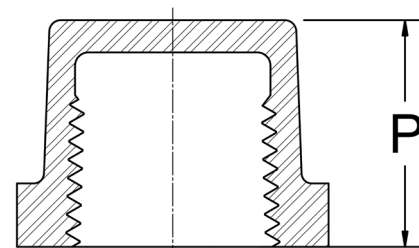


† Inside Hex Head \* Octagon Head

Bronze	No Lead Bronze	Size	A		D		C	
			in	mm	in	mm	in	mm
N/A	NLBRB-2510-3	2-1/2" x 1"	1.07	27	0.44	11	1.95	50
N/A	NLBRB-2512-3 †	2-1/2" x 1-1/4"	1.07	27	0.44	11	2.39	61
N/A	NLBRB-2515	2-1/2" x 1-1/2"	1.07	27	0.44	11	2.68	68
2-BRB-2520 *	NLBRB-2520 *	2-1/2" x 2"	1.07	27	0.37	9	2.98	76
N/A	NLBRB-3020	3" x 2"	1.13	29	0.48	12	3.28	83
N/A	NLBRB-3025	3" x 2-1/2"	1.13	29	0.40	10	3.86	98
N/A	NLBRB-4020-3 †	4" x 2"	1.22	31	0.60	15	3.28	83
N/A	NLBRB-4025	4" x 2-1/2"	1.22	31	0.60	15	3.86	98
N/A	NLBRB-4030	4" x 3"	1.22	31	0.50	13	4.62	117

## Cap - FPT

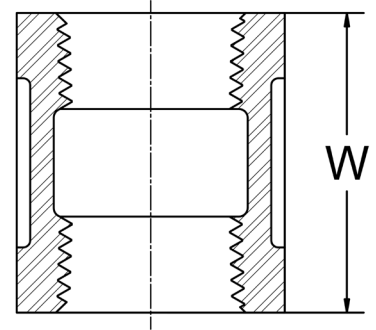
Bronze	No Lead Bronze	Size	P	
			in	mm
N/A	NLBRCA-01	1/8"	0.49	12
N/A	NLBRCA-02	1/4"	0.59	15
N/A	NLBRCA-03	3/8"	0.64	16
N/A	NLBRCA-05	1/2"	0.76	19
2-BRCA-07	NLBRCA-07	3/4"	0.84	21
N/A	NLBRCA-10	1"	0.99	25
N/A	NLBRCA-12	1-1/4"	1.10	28
N/A	NLBRCA-15	1-1/2"	1.15	29
N/A	NLBRCA-20	2"	1.32	34
N/A	NLBRCA-25	2-1/2"	1.70	43
N/A	NLBRCA-30	3"	1.80	46
N/A	NLBRCA-40	4"	2.08	53



# CLASS 125 CAST BRONZE & NL BRONZE FITTINGS

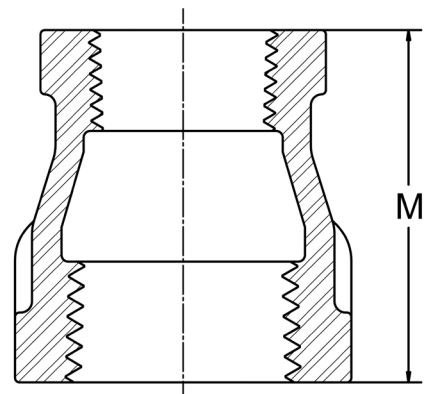
## Coupling - FPT

Bronze	No Lead Bronze	Size	W	
			in	mm
N/A	NLBRC-01	1/8"	0.80	20
2-BRC-02	NLBRC-02	1/4"	0.97	25
2-BRC-03	NLBRC-03	3/8"	1.05	27
N/A	NLBRC-05	1/2"	1.29	33
2-BRC-07	NLBRC-07	3/4"	1.43	36
2-BRC-10	NLBRC-10	1"	1.68	43
N/A	NLBRC-12	1-1/4"	1.86	47
2-BRC-15	NLBRC-15	1-1/2"	1.92	49
N/A	NLBRC-20	2"	2.20	56
N/A	NLBRC-25	2-1/2"	2.88	73
N/A	NLBRC-30	3"	3.18	81
N/A	NLBRC-40	4"	3.69	94



## Reducing Coupling - FPT

Bronze	No Lead Bronze	Size	M	
			in	mm
N/A	NLBRRRC-0201	1/4" x 1/8"	0.88	22
N/A	NLBRRRC-0301	3/8" x 1/8"	0.92	23
N/A	NLBRRRC-0302	3/8" x 1/4"	1.01	26
N/A	NLBRRRC-0501-3	1/2" x 1/8"	1.13	29
N/A	NLBRRRC-0502	1/2" x 1/4"	1.13	29
2-BRRC-0503	NLBRRRC-0503	1/2" x 3/8"	1.17	30
N/A	NLBRRRC-0702-3	3/4" x 1/4"	1.24	31
N/A	NLBRRRC-0703	3/4" x 3/8"	1.24	31
N/A	NLBRRRC-0705	3/4" x 1/2"	1.36	35
N/A	NLBRRRC-1003-3	1" x 3/8"	1.49	38
N/A	NLBRRRC-1005	1" x 1/2"	1.49	38
2-BRRC-1007	NLBRRRC-1007	1" x 3/4"	1.56	40
N/A	NLBRRRC-1205-3	1-1/4" x 1/2"	1.65	42
N/A	NLBRRRC-1207	1-1/4" x 3/4"	1.65	42
N/A	NLBRRRC-1210	1-1/4" x 1"	1.77	45

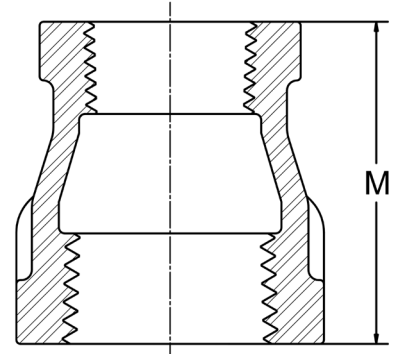


# CLASS 125 CAST BRONZE & NL BRONZE FITTINGS

## Reducing Coupling - FPT

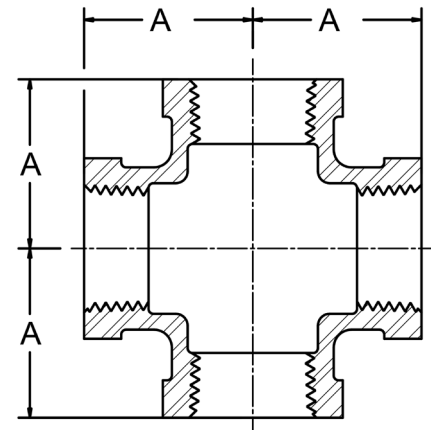
Bronze	No Lead Bronze	Size	M	
			in	mm
N/A	NLBRR-1505-3*	1-1/2" x 1/2"	1.8	45
N/A	NLBRR-1507-3	1-1/2" x 3/4"	1.8	45
N/A	NLBRR-1510	1-1/2" x 1"	1.8	45
N/A	NLBRR-1512	1-1/2" x 1-1/4"	1.89	48
N/A	NLBRR-2005-3	2" x 1/2"	2.03	52
N/A	NLBRR-2007-3	2" x 3/4"	2.03	52
N/A	NLBRR-2010-3	2" x 1"	2.03	52
2-BRRC-2012	NLBRR-2012	2" x 1-1/4"	2.03	52
N/A	NLBRR-2015	2" x 1-1/2"	2.06	52
N/A	NLBRR-2515	2-1/2" x 1-1/2"	3.25	83
N/A	NLBRR-2520	2-1/2" x 2"	3.25	83
N/A	NLBRR-3020	3" x 2"	3.69	94
N/A	NLBRR-3025	3" x 2-1/2"	3.69	94
N/A	NLBRR-4030	4" x 3"	4.38	111

\* NLBRR-1505-3 is excluded from fittings covered by CRN



## Cross - FPT

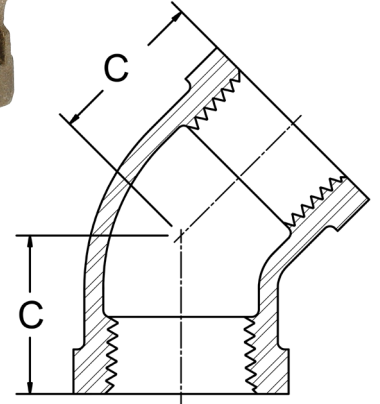
No Lead Bronze	Size	A	
		in	mm
NLBRCR-02	1/4"	0.71	18
NLBRCR-03	3/8"	0.82	21
NLBRCR-05	1/2"	1.01	26
NLBRCR-07	3/4"	1.18	30
NLBRCR-10	1"	1.43	36
NLBRCR-12	1-1/4"	1.69	43
NLBRCR-15	1-1/2"	1.84	47
NLBRCR-20	2"	2.12	54



# CLASS 125 CAST BRONZE & NL BRONZE FITTINGS

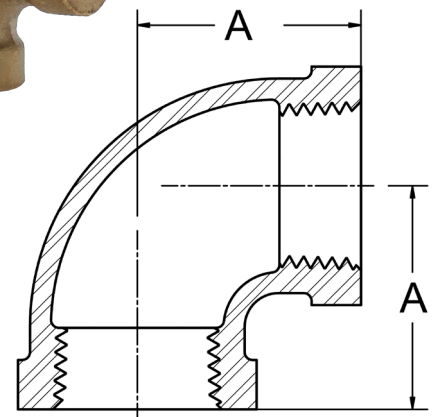
## 45° Elbow - FPT

Bronze	No Lead Bronze	Size	C	
			in	mm
N/A	NLBRE4-01	1/8"	0.42	11
N/A	NLBRE4-02	1/4"	0.56	14
N/A	NLBRE4-03	3/8"	0.63	16
N/A	NLBRE4-05	1/2"	0.78	20
2-BRE4-07	NLBRE4-07	3/4"	0.89	23
2-BRE4-10	NLBRE4-10	1"	1.06	27
N/A	NLBRE4-12	1-1/4"	1.22	31
N/A	NLBRE4-15	1-1/2"	1.30	33
N/A	NLBRE4-20	2"	1.45	37
N/A	NLBRE4-25	2-1/2"	1.95	50
N/A	NLBRE4-30	3"	2.17	55
N/A	NLBRE4-40	4"	2.61	66



## 90° Elbow - FPT

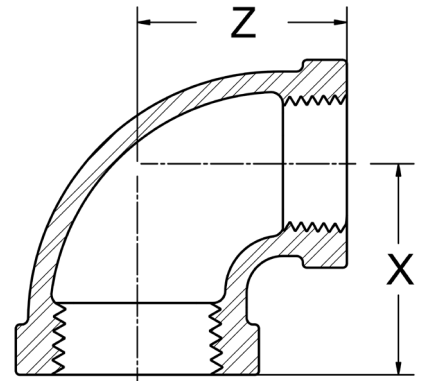
Bronze	No Lead Bronze	Size	A	
			in	mm
N/A	NLBRE-01	1/8"	0.54	14
2-BRE-02	NLBRE-02	1/4"	0.71	18
2-BRE-03	NLBRE-03	3/8"	0.82	21
N/A	NLBRE-05	1/2"	1.01	26
2-BRE-07	NLBRE-07	3/4"	1.18	30
2-BRE-10	NLBRE-10	1"	1.43	36
2-BRE-12	NLBRE-12	1-1/4"	1.69	43
2-BRE-15	NLBRE-15	1-1/2"	1.84	47
2-BRE-20	NLBRE-20	2"	2.12	54
N/A	NLBRE-25	2-1/2"	2.70	69
N/A	NLBRE-30	3"	3.08	78
N/A	NLBRE-40	4"	3.79	96



# CLASS 125 CAST BRONZE & NL BRONZE FITTINGS

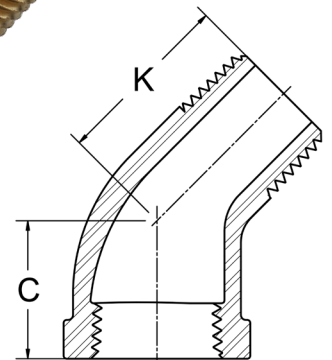
## Reducing 90° Elbow - FPT

Bronze	No Lead Bronze	Size	X		Z	
			in	mm	in	mm
N/A	NLBRRE-0301	3/8" x 1/8"	0.75	19	0.78	20
N/A	NLBRRE-0502	1/2" x 1/4"	0.97	25	0.98	25
N/A	NLBRRE-0503	1/2" x 3/8"	0.9	23	0.93	24
N/A	NLBRRE-0703	3/4" x 3/8"	1.12	28	1.13	28
2-BRRE-0705	NLBRRE-0705	3/4" x 1/2"	1.08	27	1.11	28
N/A	NLBRRE-1005	1" x 1/2"	1.2	30	1.24	31
2-BRRE-1007	NLBRRE-1007	1" x 3/4"	1.3	33	1.31	33
N/A	NLBRRE-1205	1-1/4" x 1/2"	1.34	34	1.53	39
N/A	NLBRRE-1207	1-1/4" x 3/4"	1.39	35	1.48	38
2-BRRE-1210	NLBRRE-1210	1-1/4" x 1"	1.52	39	1.6	41
N/A	NLBRRE-1507	1-1/2" x 3/4"	1.52	39	1.72	44
N/A	NLBRRE-1510	1-1/2" x 1"	1.55	39	1.72	44
N/A	NLBRRE-1512	1-1/2" x 1-1/4"	1.72	44	1.81	46
N/A	NLBRRE-2005	2" x 1/2"	1.56	40	1.9	48
N/A	NLBRRE-2007	2" x 3/4"	1.68	43	1.9	48
N/A	NLBRRE-2010	2" x 1"	1.73	44	2.02	51
N/A	NLBRRE-2012	2" x 1-1/4"	1.9	48	2.1	53
N/A	NLBRRE-2015	2" x 1-1/2"	1.89	48	2.07	53
N/A	NLBRRE-2515	2-1/2" x 1-1/2"	2.16	55	2.51	64
N/A	NLBRRE-2520	2-1/2" x 2"	2.39	61	2.6	66
N/A	NLBRRE-3020	3" x 2"	2.52	64	2.89	73



## 45° Street Elbow - MPT x FPT

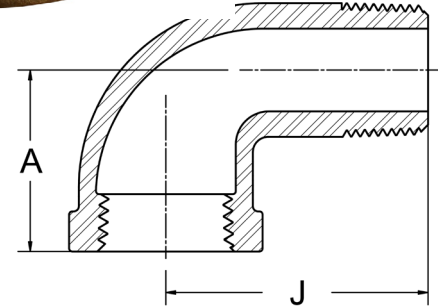
Bronze	No Lead Bronze	Size	C		K	
			in	mm	in	mm
2-BRSE4-01	NLBRSE4-01	1/8"	0.42	11	0.78	20
N/A	NLBRSE4-02	1/4"	0.56	14	0.88	22
N/A	NLBRSE4-03	3/8"	0.63	16	0.92	23
N/A	NLBRSE4-05	1/2"	0.78	20	1.06	27
N/A	NLBRSE4-07	3/4"	0.89	23	1.23	31
N/A	NLBRSE4-10	1"	1.06	27	1.40	36
N/A	NLBRSE4-12	1-1/4"	1.22	31	1.64	42
N/A	NLBRSE4-15	1-1/2"	1.30	33	1.80	46
N/A	NLBRSE4-20	2"	1.45	37	2.14	54



# CLASS 125 CAST BRONZE & NL BRONZE FITTINGS

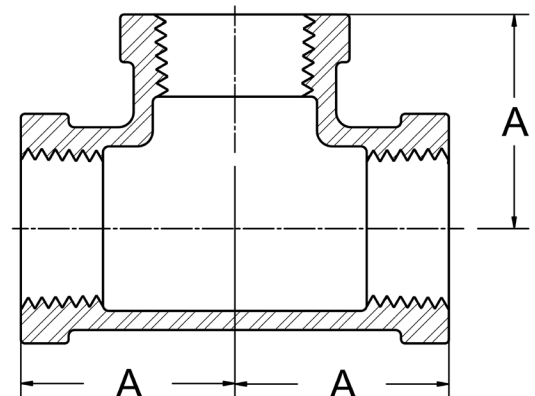
## 90° Street Elbow - MPT x FPT

No Lead Bronze	Size	A		J	
		in	mm	in	mm
NLBRSE-01	1/8"	0.54	14	0.92	23
NLBRSE-02	1/4"	0.71	18	1.11	28
NLBRSE-03	3/8"	0.82	21	1.24	31
NLBRSE-05	1/2"	1.01	26	1.48	38
NLBRSE-07	3/4"	1.18	30	1.65	42
NLBRSE-10	1"	1.43	36	1.98	50
NLBRSE-12	1-1/4"	1.69	43	2.24	57
NLBRSE-15	1-1/2"	1.84	47	2.46	62
NLBRSE-20	2"	2.12	54	2.88	73
NLBRSE-25	2-1/2"	2.70	68.6	3.86	98.0
NLBRSE-30	3"	3.08	78.2	4.51	114.6
NLBRSE-40	4"	3.79	96.3	5.69	144.5



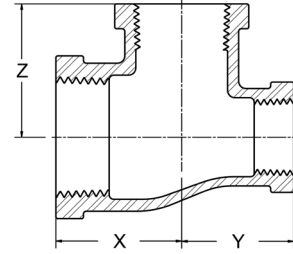
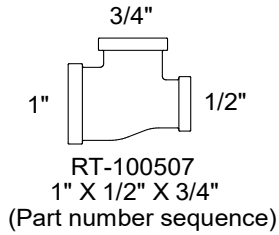
## Tee - FPT

Bronze	No Lead Bronze	Size	A	
			in	mm
N/A	NLBRT-01	1/8"	0.54	14
N/A	NLBRT-02	1/4"	0.71	18
N/A	NLBRT-03	3/8"	0.82	21
N/A	NLBRT-05	1/2"	1.01	26
N/A	NLBRT-07	3/4"	1.18	30
2-BRT-10	NLBRT-10	1"	1.43	36
N/A	NLBRT-12	1-1/4"	1.69	43
N/A	NLBRT-15	1-1/2"	1.84	47
N/A	NLBRT-20	2"	2.12	54
N/A	NLBRT-25	2-1/2"	2.70	69
N/A	NLBRT-30	3"	3.08	78
N/A	NLBRT-40	4"	3.79	96



# CLASS 125 CAST BRONZE & NL BRONZE FITTINGS

## Reducing Tee - FPT



Bronze	No Lead Bronze	Size	X		Y		Z	
			in	mm	in	mm	in	mm
N/A	NLBRRT-020201	1/4" x 1/4" x 1/8"	0.65	17	0.65	17	0.6	15
N/A	NLBRRT-050502	1/2" x 1/2" x 1/4"	0.87	22	0.87	22	0.87	22
N/A	NLBRRT-050503	1/2" x 1/2" x 3/8"	0.93	24	0.93	24	0.9	23
N/A	NLBRRT-050507-2	1/2" x 1/2" x 3/4"	1.11	28	1.11	28	1.08	27
N/A	NLBRRT-070505-2	3/4" x 1/2" x 1/2"	1.08	27	1.01	26	1.11	28
N/A	NLBRRT-070507	3/4" x 1/2" x 3/4"	1.18	30	1.11	28	1.18	30
N/A	NLBRRT-070702	3/4" x 3/4" x 1/4"	1.00	25	1.00	25	1.00	25
N/A	NLBRRT-070703	3/4" x 3/4" x 3/8"	1.00	25	1.00	25	1.00	25
2-BRRT-070705	NLBRRT-070705	3/4" x 3/4" x 1/2"	1.08	27	1.08	27	1.11	28
2-BRRT-070710-2	NLBRRT-070710-2	3/4" x 3/4" x 1"	1.31	33	1.31	33	1.3	33
N/A	NLBRRT-100505-2	1" x 1/2" x 1/2"	1.3	33	1.11	28	1.31	33
N/A	NLBRRT-100507-2	1" x 1/2" x 3/4"	1.3	33	1.11	28	1.31	33
N/A	NLBRRT-100510	1" x 1/2" x 1"	1.43	36	1.24	31	1.43	36
N/A	NLBRRT-100707-2	1" x 3/4" x 3/4"	1.3	33	1.18	30	1.31	33
N/A	NLBRRT-100710	1" x 3/4" x 1"	1.43	36	1.31	33	1.43	36
N/A	NLBRRT-101002	1" x 1" x 1/4"	1.12	28	1.12	28	1.13	29
N/A	NLBRRT-101003	1" x 1" x 3/8"	1.12	28	1.12	28	1.13	29
N/A	NLBRRT-101005	1" x 1" x 1/2"	1.2	30	1.2	30	1.24	31
2-BRRT-101007	NLBRRT-101007	1" x 1" x 3/4"	1.3	33	1.3	33	1.31	33
N/A	NLBRRT-121205	1-1/4" x 1-1/4" x 1/2"	1.29	33	1.29	33	1.41	36
N/A	NLBRRT-121207	1-1/4" x 1-1/4" x 3/4"	1.39	35	1.39	35	1.48	38
N/A	NLBRRT-121210	1-1/4" x 1-1/4" x 1"	1.52	39	1.52	39	1.6	41
N/A	NLBRRT-151505	1-1/2" x 1-1/2" x 1/2"	1.32	34	1.32	34	1.53	39
N/A	NLBRRT-151507	1-1/2" x 1-1/2" x 3/4"	1.42	36	1.42	36	1.6	41
N/A	NLBRRT-151510	1-1/2" x 1-1/2" x 1"	1.55	39	1.55	39	1.72	44
N/A	NLBRRT-151512	1-1/2" x 1-1/2" x 1-1/4"	1.72	44	1.72	44	1.81	46
N/A	NLBRRT-202005	2" x 2" x 1/2"	1.47	37	1.47	37	1.84	47
N/A	NLBRRT-202007	2" x 2" x 3/4"	1.47	37	1.47	37	1.84	47
2-BRRT-202010	NLBRRT-202010	2" x 2" x 1"	1.59	40	1.59	40	1.95	50
2-BRRT-202012	NLBRRT-202012	2" x 2" x 1-1/4"	1.77	45	1.77	45	2.04	52
N/A	NLBRRT-202015	2" x 2" x 1-1/2"	1.89	48	1.89	48	2.07	53



25 Whaley Avenue, PO Box 310, Milverton, ON CANADA N0K 1M0  
Tel: 800-561-3164

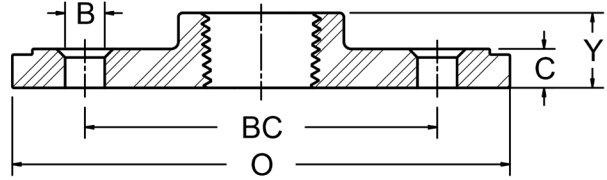
VISIT US ONLINE AT [BOSHART.COM](http://BOSHART.COM)

For more information on installation, adjustment, repair & operation, visit Boshart Knowledge Base at [SUPPORT.BOSHART.COM](http://SUPPORT.BOSHART.COM)



# CLASS 125 CAST BRONZE & NL BRONZE FITTINGS

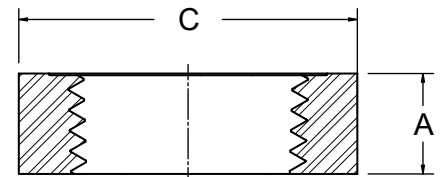
## Floor Flange - FPT



Bronze	No Lead Bronze	Size	O		BC		C		Y		B		No. of Bolt Holes
			in	mm	in	mm	in	mm	in	mm	in	mm	
2-BRFF-05	NLBRFF-05	1/2"	3.50	88.9	2.50	63.5	0.28	7.2	0.56	14.3	0.25	6.4	4
2-BRFF-07	NLBRFF-07	3/4"	3.50	88.9	2.50	63.5	0.31	7.9	0.63	15.9	0.25	6.4	4
2-BRFF-10	NLBRFF-10	1"	4.02	102.0	3.00	76.2	0.34	8.7	0.69	17.5	0.25	6.4	4
2-BRFF-12	NLBRFF-12	1-1/4"	4.02	102.0	3.00	76.2	0.34	8.7	0.75	19.1	0.25	6.4	4
2-BRFF-15	NLBRFF-15	1-1/2"	4.49	114.0	3.50	88.9	0.37	9.5	0.87	22.2	0.31	8	4
2-BRFF-20	NLBRFF-20	2"	5.51	140.0	4.25	108.0	0.41	10.3	1.00	25.4	0.31	8	4

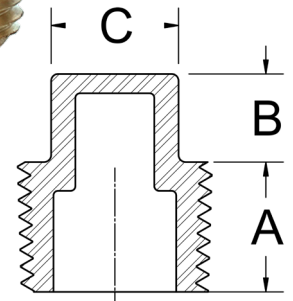
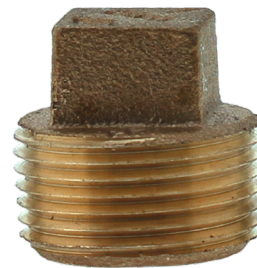
## Locknut - FPT

Bronze	Size	A		C	
		in	mm	in	mm
2-BRLN-02	1/4"	0.25	6.4	0.84	21.3
2-BRLN-03	3/8"	0.28	7.1	1.00	25.4
2-BRLN-05	1/2"	0.31	7.9	1.18	30
N/A	3/4"	0.34	8.6	1.43	36.3
2-BRLN-10	1"	0.38	9.7	1.75	44.5
2-BRLN-12	1-1/4"	0.42	10.7	2.10	53.3
2-BRLN-15	1-1/2"	0.47	11.9	2.35	59.7
2-BRLN-20	2"	0.53	13.5	2.88	73.2



## Square Head Plug - MPT

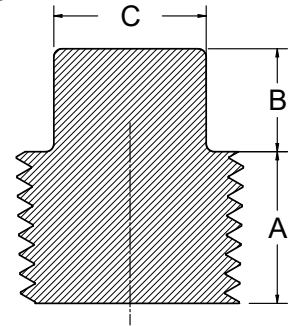
Bronze	No Lead Bronze	Size	A		B		C	
			in	mm	in	mm	in	mm
2-BRP-05	NLBRP-05	1/2"	0.54	14.0	0.38	10.0	0.56	14.3
N/A	NLBRP-07	3/4"	0.55	14.0	0.44	11.0	0.63	15.8
N/A	NLBRP-10	1"	0.69	18.0	0.50	13.0	0.81	20.6
N/A	NLBRP-12	1-1/4"	0.71	18.0	0.56	14.0	0.94	23.8
2-BRP-15	NLBRP-15	1-1/2"	0.73	19.0	0.62	16.0	1.13	28.5
2-BRP-20	NLBRP-20	2"	0.76	19.0	0.68	17.0	1.31	33.3
N/A	NLBRP-25	2-1/2"	1.07	27.0	0.74	19.0	1.5	38.1
N/A	NLBRP-30	3"	1.13	29.0	0.80	20.0	1.69	42.8
N/A	NLBRP-40	4"	1.22	31.0	0.92	23.0	2.25	57.1



# CLASS 125 CAST BRONZE & NL BRONZE FITTINGS

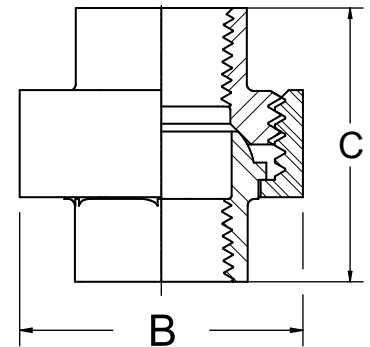
## Solid Square Head Plug - MPT

Bronze	No Lead Bronze	Size	A		B		C	
			in	mm	in	mm	in	mm
N/A	NLBRP-01	1/8"	0.27	7.0	0.24	6.0	0.28	7.1
N/A	NLBRP-02	1/4"	0.41	10.0	0.28	7.0	0.38	9.5
N/A	NLBRP-03	3/8"	0.41	10.0	0.31	8.0	0.44	11.1
2-BRPS-05	NLBRPS-05	1/2"	0.54	14.0	0.38	10.0	0.56	14.3
2-BRPS-07	NLBRPS-07	3/4"	0.55	14.0	0.44	11.0	0.63	15.8
N/A	NLBRPS-10	1"	0.69	18.0	0.50	13.0	0.81	20.6
N/A	NLBRPS-12	1-1/4"	0.71	18.0	0.56	14.0	0.94	23.8
N/A	NLBRPS-15	1-1/2"	0.73	19.0	0.62	16.0	1.13	28.5
N/A	NLBRPS-20	2"	0.76	19.0	0.68	17.0	1.31	33.3



## Union - FPT

Bronze	No Lead Bronze	Size	B		C	
			in	mm	in	mm
N/A	NLBRU-01	1/8"	0.93	23.5	1.26	32
2-BRU-02	NLBRU-02	1/4"	1.1	28	1.44	36.5
N/A	NLBRU-03	3/8"	1.26	32	1.61	41
2-BRU-05	NLBRU-05	1/2"	1.45	37	1.72	43.5
N/A	NLBRU-07	3/4"	1.71	43.5	1.94	49.5
2-BRU-10	NLBRU-10	1"	2.07	52.5	2.06	52.5
N/A	NLBRU-12	1-1/4"	2.5	63.5	2.11	53.5
N/A	NLBRU-15	1-1/2"	2.82	71.5	2.41	61
N/A	NLBRU-20	2"	3.41	86.5	2.75	70
N/A	NLBRU-25	2-1/2"	4.12	104.5	3.22	82
N/A	NLBRU-30	3"	4.75	120.5	3.5	89
N/A	NLBRU-40	4"	6	152.5	3.85	98



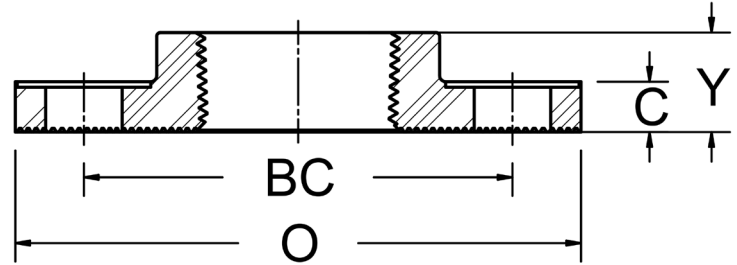
Metal to metal sealing



# CLASS 150 BRONZE & NL BRONZE COMPANION FLANGES

## Companion Flange - FPT

Class 150 (NL) Bronze Companion Flanges not covered by NSF/ANSI certificate.



Bronze	No Lead Bronze	Size	O		BC		C		Y		No. of Bolt holes	Diameter of Bolt holes
			in	mm	in	mm	in	mm	in	mm		
N/A	NLBRCF-05	1/2"	3.50	88.9	2.38	60.5	0.31	7.9	0.59	15.0	4	0.62
N/A	NLBRCF-07	3/4"	3.88	98.6	2.75	69.9	0.34	8.6	0.62	15.7	4	0.62
2-BRCF-10	NLBRCF-10	1"	4.25	108.0	3.12	79.2	0.38	9.7	0.69	17.5	4	0.62
N/A	NLBRCF-12	1-1/4"	4.62	117.3	3.50	88.9	0.41	10.4	0.81	20.6	4	0.62
2-BRCF-15	NLBRCF-15	1-1/2"	5.00	127.0	3.88	98.6	0.44	11.2	0.88	22.4	4	0.62
2-BRCF-20	NLBRCF-20	2"	6.00	152.4	4.75	120.7	0.50	12.7	1.00	25.4	4	0.75
2-BRCF-25	NLBRCF-25	2-1/2"	7.00	177.8	5.50	139.7	0.56	14.2	1.12	28.4	4	0.75
2-BRCF-30	NLBRCF-30	3"	7.50	190.5	6.00	152.4	0.62	15.7	1.19	30.2	4	0.75
2-BRCF-40	NLBRCF-40	4"	9.00	228.6	7.50	190.5	0.69	17.5	1.31	33.3	8	0.75

### ANSI/ASME B16.24 Pressure-Temperature Ratings for Alloys C83600 - Class 150

Temperature		Working Pressure	
°C	°F	PSI	bar
-28.8 to 65.5	-20 to 150	225	15.5
79.4	175	220	15.1
93.3	200	210	14.4
107.2	225	205	14.1
121.1	250	195	13.4
135.0	275	190	13.1
148.9	300	180	12.4
176.7	350	165	11.3
207.8	406	150	10.3
232.2	450	135 (1)	9.30

(1) Some codes limit the rating temperature of the indicated material to 406 °F.

Pressure and temperature rating charts are to be used as a guide only.



25 Whaley Avenue, PO Box 310, Milverton, ON CANADA N0K 1M0  
Tel: 800-561-3164

VISIT US ONLINE AT [BOSHART.COM](http://BOSHART.COM)

For more information on installation, adjustment, repair & operation, visit Boshart Knowledge Base at [SUPPORT.BOSHART.COM](http://SUPPORT.BOSHART.COM)

