

14FHK-SL SERIES SLIM LINE FILTER HOUSING KIT

APPLICATIONS:

- Water Well / Municipal Water Supplies
- Whole House Point of Entry (POE) Residential / Commercial for Sediment Removal
- Point of Use (POU) At Water Faucet for Taste & Odor Removal
- Agriculture - Livestock Watering, Drip Irrigation, Greenhouses, Misting & Fogger Nozzles

FEATURES:

- Filter head comes with air release button on inlet side
- Available with clear or opaque (blue) filter bowl
- Mounting bosses molded in head for installation with mounting bracket
- Housing kit comes complete with filter housing, 1 O-ring installed plus extra top seat and side seat O-rings, mounting bracket & hardware, and filter bowl wrench
- Accepts industry standard cartridges (not included)
- Smaller diameter for installation in tight spaces without reducing capacity
- Double O-ring design for ease of sealing



SPECIFICATIONS:

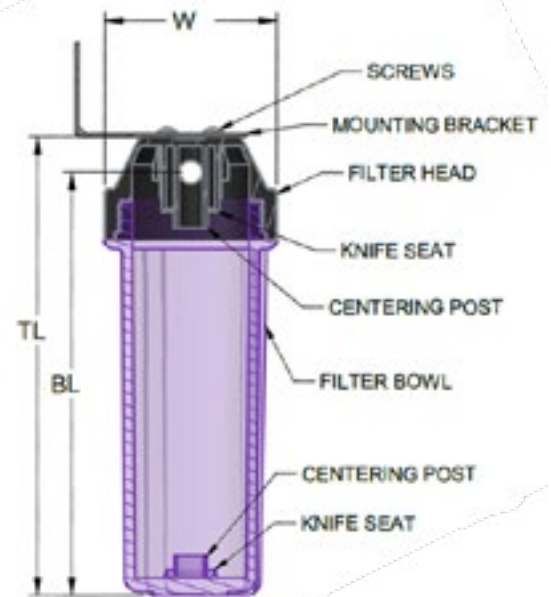
- Threads conform to ANSI/ASME B1.20.1 Pipe Threads, General Purpose (Inch)

CERTIFICATIONS:

- NSF/ANSI 42 - Drinking Water Treatment Units - Aesthetic Effects (Blue Housings)

RATINGS:

- Max Pressure Rating: 125 PSI*
- * If working pressure is consistently over 60 PSI, a pressure regulator valve is recommended to protect the filter bowl and all downstream appliances and faucets
- Temperature Rating: 40-125°F (4-52°C)



MATERIAL LIST	
PART NAME	MATERIAL
Filter Head	Black Polypropylene
Filter Bowl	C = Clear Styrene-Acrylonitrile
	B = Blue Polypropylene
Air Release Button	Stainless Steel, NBR & ABS
O-Ring	Nitrile Buna Rubber
Wrench	Acrylonitrile Butadiene Styrene (ABS)
Mounting Bracket	White Powder Coated Steel
Screws	Stainless Steel

DIMENSIONS											
Part No.	Inlet/Outlet	Bowl	Flow Rate Initial PSI @ GPM	W		TL		BL		Weight	
				in	mm	in	mm	in	mm	lbs	Grams
14FHK-SLB-1007	3/4" FPT	Blue	7 PSI @ 11 GPM*	4.61	117.00	11.65	296.00	11.02	280.00	3.38	1535.00
14FHK-SLC-1007		Clear		4.61	117.00	11.65	296.00	11.02	280.00	3.53	1600.00
14FHK-SLB-2007		Blue		4.61	117.00	22.33	567.30	21.70	551.30	4.96	2250.00
14FHK-SLC-2007		Clear		4.61	117.00	22.33	567.30	21.70	551.30	5.24	2375.00

* Actual flow rates and pressure drop will be determined based on cartridge selection and fluid viscosity.

User Responsibility Statement: It is the user's sole responsibility to determine the product's suitability for its intended use. For full details, visit Boshart Industries [Reference Documents](#) for our User Safety Responsibility Statement and other important documents.



25 Whaley Avenue, PO Box 310, Milverton, ON CANADA N0K 1M0
Tel: 800-561-3164

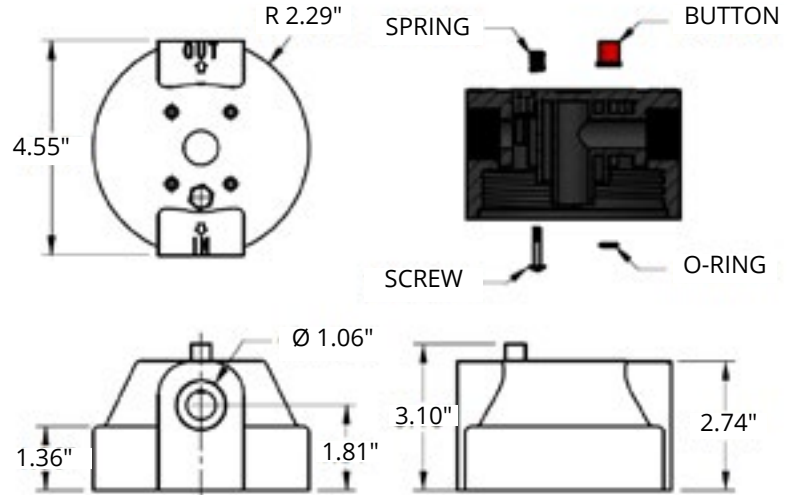
VISIT US ONLINE AT BOSHART.COM



REPLACEMENT PARTS

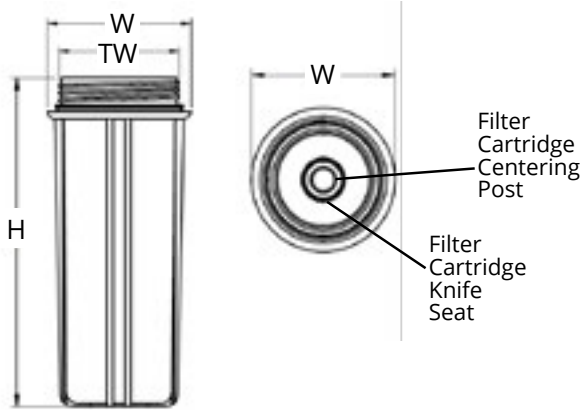
FILTER HEAD

Part No.	Size
14FHPT-SLH-07	3/4" NPT



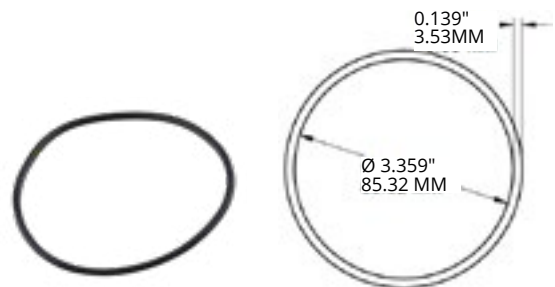
FILTER BOWL

Part No.	DIMENSIONS					
	H		W		TW	
	in	mm	in	mm	in	mm
14FHPT-SLB-10B	10.52	267.21	4.64	117.86	3.87	98.30
14FHPT-SLB-10C						
14FHPT-SLB-20B	20.60	523.24	4.64	117.86	3.87	98.30
14FHPT-SLB-20C						



O-RING KIT

Part No.	Standard O-Ring Number	Replacement O-Ring I.D. x C.S	
		in	mm
RP14FH-SLORK-V2041	AS568-237	3.359 x 0.139	85.32 x 3.53



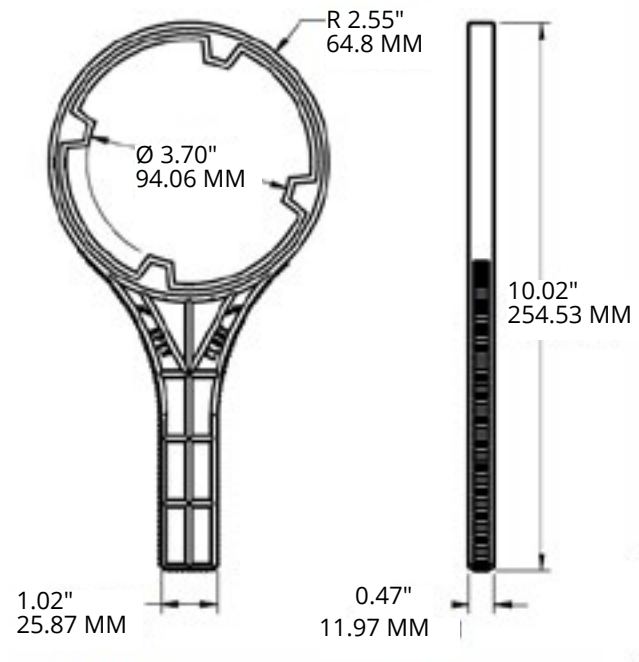
25 Whaley Avenue, PO Box 310, Milverton, ON CANADA N0K 1M0
Tel: 800-561-3164

VISIT US ONLINE AT BOSHART.COM



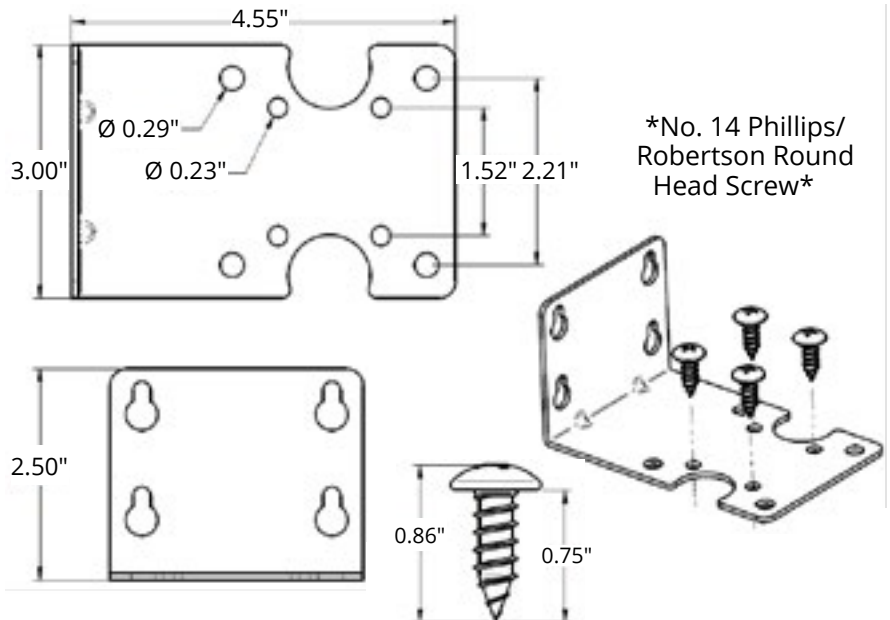
FILTER WRENCH

Part No.	Fits Housing Size
14FHPT-SLFW	All slim housings



MOUNTING BRACKET KIT

Part No.	Fits Housing Size
14FHPT-SLMB	For all slim housings



NOTE: Never use a longer screw as there is a risk of puncturing the filter head

BOSHART
INDUSTRIES

25 Whaley Avenue, PO Box 310, Milverton, ON CANADA N0K 1M0
Tel: 800-561-3164

VISIT US ONLINE AT BOSHART.COM



FILTER CARTRIDGE COMPATIBILITY:

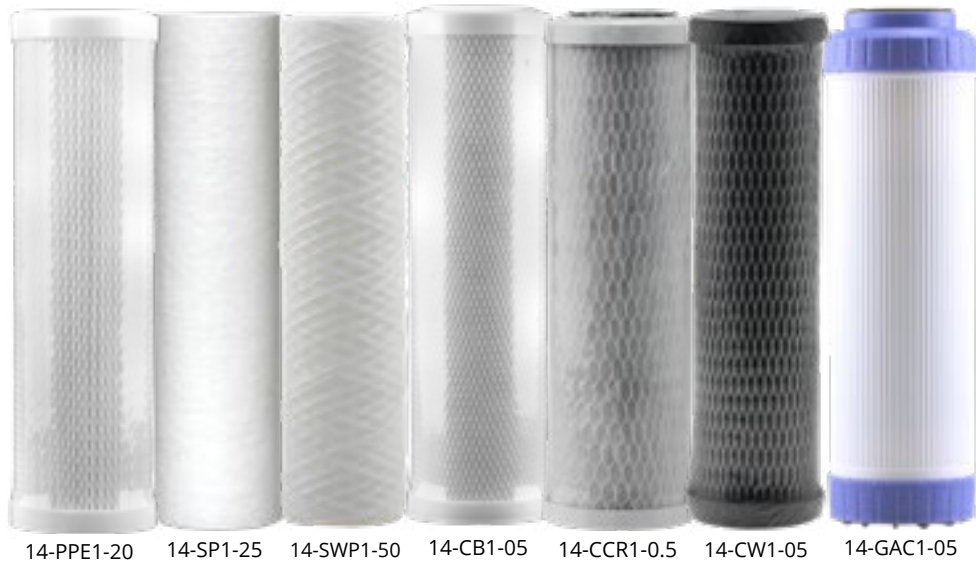
Cartridge Series Number	Cartridge Type	Fits Housing Type	Nominal Size	Actual Size
14-PPE1-XX	10" Standard Pleated Polyester	Fits 10" Standard & Slim Line Housings	2-1/2" x 10"	2-1/2" x 9-3/4"
14-SP1-XX	10" Standard Spun Polypropylene		2-1/2" x 10"	2-1/2" x 9-7/8"
14-SWP1-XX	10" Standard String Wound Polypropylene		2-1/2" x 10"	2-1/2" x 9-7/8"
14-CB1-XX	10" Carbon Block		2-3/4" x 10"	2-3/4" x 9-3/4"
14-CCR1-0.5	10" Carbon Briquette Cyst Removal		2-3/4" x 10"	2-3/4" x 9-3/4"
14-CW1-05	10" Standard Carbon Wrap		2-1/2" x 10"	2-1/2" x 9-3/4"
14-GAC1-05	10" Standard Granular Activated Carbon		2-3/4" x 10"	2-3/4" x 9-3/4"
14-PPE2-XX	20" Standard Pleated Polyester	Fits 20" Standard & Slim Line Housings	2-1/2" x 20"	2-1/2" x 20"
14-SP2-XX	20" Standard Spun Polypropylene		2-1/2" x 20"	2-1/2" x 20"
14-SWP2-XX	20" Standard String Wound Polypropylene		2-1/2" x 20"	2-1/2" x 20"
14-CB2-XX	20" Carbon Block		2-3/4" x 20"	2-3/4" x 20"
14-CCR2-0.5	20" Carbon Briquette Cyst Removal		2-3/4" x 20"	2-3/4" x 20"
14-CW2-05	20" Standard Carbon Wrap		2-1/2" x 20"	2-1/2" x 20"
14-GAC2-XX	20" Standard Granular Activated Carbon		2-3/4" x 20"	2-3/4" x 20"

10" Nominal Filter Cartridge Lengths (9-3/4" vs. 9-7/8" Actual)

Nominal 10" filter housings are designed to accept 9-3/4" cartridges, which match the distance between the top and bottom sealing (knife) seats. These cartridges use rigid end caps or gaskets that compress against the housing to create a tight seal and prevent bypass.

9-7/8" cartridges are used only for string wound and spun polypropylene (depth) filters. These cartridges are intentionally made slightly longer (+1/8") because their softer media allows the housing's knife edges to embed into the filter ends. This compression ensures a proper seal and prevents bypass—an issue that can occur if these softer cartridges are only 9-3/4" long.

Rigid cartridge types cannot be manufactured at 9-7/8", as the extra length would prevent proper housing closure and O-ring sealing.



20" Nominal Filter Cartridge Lengths (20" vs. 20-1/8" Actual)

14-SP2-XX, 14-SWP2-XX (20-1/8" Actual)

14-PPE2-XX, 14-CB2-XX, 14-CCR2-XX, 14-GAC2-XX, 14-CW2-XX (20" Actual)

BOSHART
INDUSTRIES

25 Whaley Avenue, PO Box 310, Milverton, ON CANADA N0K 1M0
Tel: 800-561-3164

VISIT US ONLINE AT BOSHART.COM

