

# 14SFHK SERIES SPIN-OUT FILTER/SEPARATOR HOUSINGS & KITS

Spin-out filtration is a method of removing sediment from water using centrifugal force rather than filter media. As water enters the unit, it is directed into a spinning motion that forces heavier particles, such as sand and grit outward to the wall of the filter bowl, where they settle into a collection chamber for easy purging.

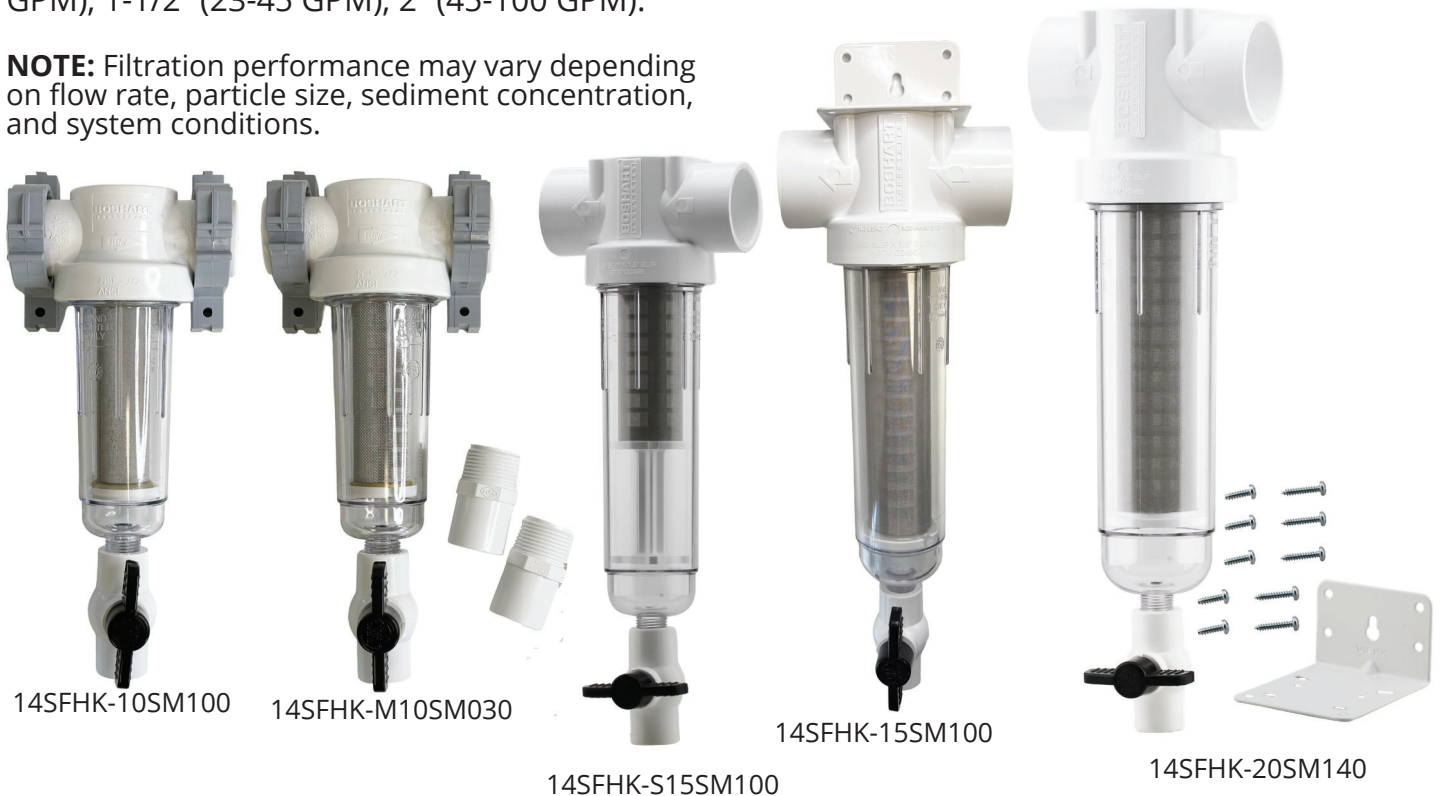
Spin-out filters are primarily used as pre-filters to remove coarse sediment ahead of finer filtration systems. By capturing larger debris, they help prevent downstream (finishing) filters from clogging, which extends cartridge life, reducing maintenance, and improving overall system performance. While they are most commonly used in rural water well systems, as well as agricultural and irrigation applications, they are often used in other commercial and industrial applications where particulate needs to be removed from the fluid media.

These filters are rated by mesh size, which defines the size of particles they remove. The higher the mesh rating, the finer the particulate removed.

Unlike traditional filters, spin-out filters create minimal pressure loss, making them the only type of filter suitable for installation on the suction side of a pump without restricting flow or causing cavitation.

Proper sizing is critical to performance. Spin-out filters rely on adequate water velocity to create the spinning action required for separation. Selecting a unit with a higher GPM rating than necessary or oversizing the filter can reduce this effect, resulting in decreased sediment removal efficiency. **DO NOT OVERSIZE!** Make sure to size the filter within the optimal flow rate. 1" (5-23 GPM), 1-1/2" (23-45 GPM), 2" (45-100 GPM).

**NOTE:** Filtration performance may vary depending on flow rate, particle size, sediment concentration, and system conditions.



**User Responsibility Statement:** It is the user's sole responsibility to determine the product's suitability for its intended use. For full details, visit Boshart Industries [Reference Documents](#) for our User Safety Responsibility Statement and other important documents.



25 Whaley Avenue, PO Box 310, Milverton, ON CANADA N0K 1M0  
Tel: 800-561-3164

VISIT US ONLINE AT [BOSHART.COM](http://BOSHART.COM)

For more information on installation, adjustment, repair & operation, visit Boshart Knowledge Base at [SUPPORT.BOSHART.COM](http://SUPPORT.BOSHART.COM)



# 14SFHK-M(S)10 SERIES 1" SPIN-OUT FILTER/SEPARATOR HOUSING & KITS with male adapters

## APPLICATION:

- Water Well and Municipal Water Supplies
- Agriculture
- Industrial / Commercial / Residential
- Irrigation

## FEATURES:

- Compatible with Schedule 40 & 80 PVC Pipe
- Gripper Ribs on Filter Bowl - No tools Required to install / remove filter bowl
- Flush System - 1/2" MPT Connection for Purge Valve
- Suitable for Installation on either the Suction or Pressure Side of Pump
- Elements marked with mesh rating and replacement O-Ring for easy identification

## SPECIFICATION:

- Inlet/Outlet Connection 1" Slip or 1-1/4" Spigot: ASTM D2466
- Threaded Connections: ASME/ANSI B1.20.1
- Filter Head Materials: ASTM D1784 - Grade 1 PVC
- Maximum Pressure Rating: 150 PSI @ 73°F (23°C)
- Maximum Temperature Rating: 100°F (38°C) @ 40 PSI
- Flow Rate: 1-25 GPM (Optimal Performance: 5-23 GPM)

## KIT INCLUDES:

- Housing
- Purge Valve
- Filter or Separator Element (not included in basic unit 14SFHK-M10 or 14SFHK-MS10)
- Mounting Clamps and hardware
- 1" Spigot x 1" MPT Adapters - not installed

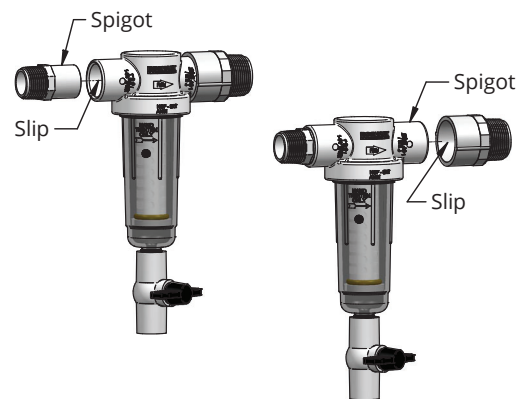
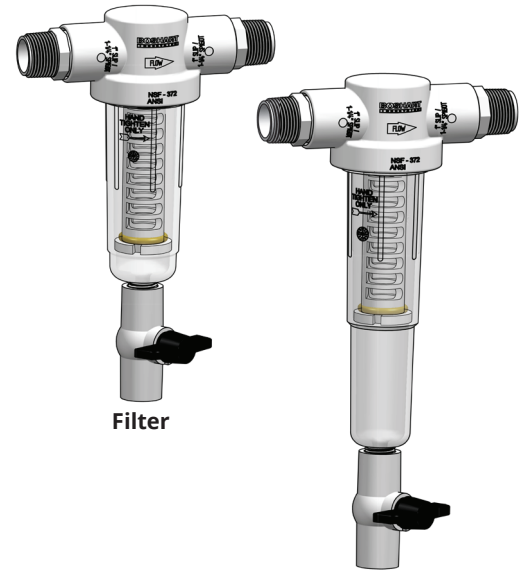
## CERTIFICATION:

- NSF/ANSI Standard 372 Certified (Drinking Water System Components - Lead Content)

LEAD FREE

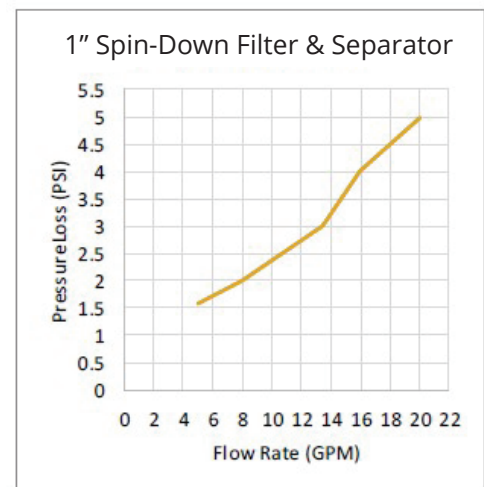


Certified by IAPMO R&T Against NSF/ANSI Standard 372 For Lead Free Compliance.



Pressure drop will be greater on a system operating at higher flow rates due to increased fluid velocity and friction losses across the separator.

| MATERIAL LIST  |  |
|----------------|--|
| Part Name      | Material   |
| Head           | HR-5009 Rigid Polyvinyl Chloride (PVC) (White)   |
| Bowl           | Polycarbonate Lexan 12R  |
| Bowl O-Ring    | Nitrile Butadiene Rubber (NBR)   |
| Element Core   | HR-5009 Rigid Polyvinyl Chloride (PVC) (White)   |
| Element O-Ring | Nitrile Butadiene Rubber (NBR)   |
| Screen         | 316 Stainless Steel  |
| Purge Valve    | Body: Polyvinyl Chloride (PVC)<br>Handle: Acrylonitrile Butadiene Styrene (ABS)<br>Seat: Thermoplastic Elastomer (TPE) |
| Mounting Clamp | Polyvinyl Chloride (PVC)   |
| Adapters       | SCH. 40 Polyvinyl Chloride (PVC) (White)   |

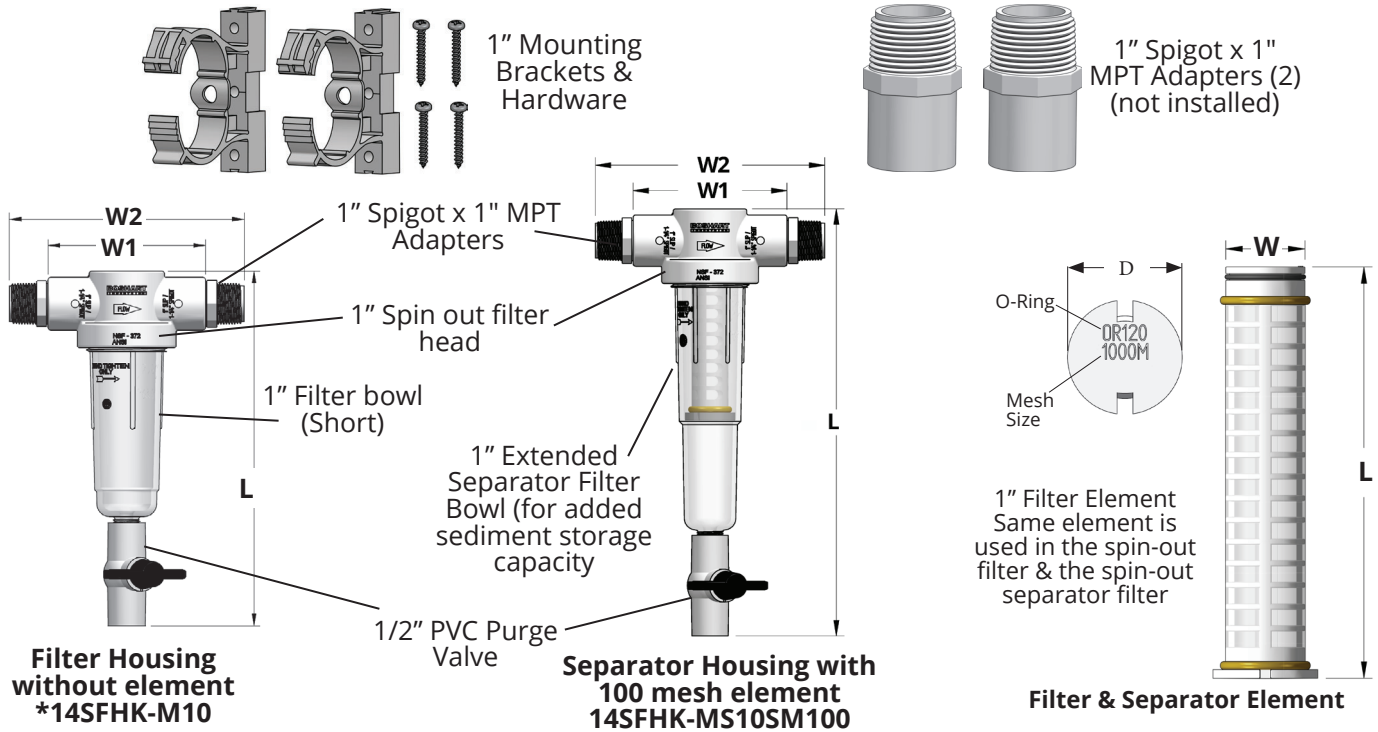


25 Whaley Avenue, PO Box 310, Milverton, ON CANADA N0K 1M0  
Tel: 800-561-3164

VISIT US ONLINE AT BOSHART.COM

For more information on installation, adjustment, repair & operation, visit Boshart Knowledge Base at SUPPORT.BOSHART.COM





| DIMENSIONS  |                |        |         |                          |       |      |       |       |                     |      |      |      |        |      |       |
|---|----------------|--------|---------|--------------------------|-------|------|-------|-------|---------------------|------|------|------|--------|------|-------|
| Part No.  | Filter Element |        |         | Complete Unit with Valve |       |      |       |       | Filter Element Only |      |      |      | Weight |      |       |
|   | Mesh Size      | Micron | Opening | W1                       |       | W2   |       | L     |                     | W    |      | L    |        | lbs  | grams |
|   |                |        |         | in                       | mm    | in   | mm    | in    | mm                  | in   | mm   | in   | mm     |      |       |
| <b>FILTER HOUSING ONLY (No Element)</b>               |                |        |         |                          |       |      |       |       |                     |      |      |      |        |      |       |
| *14SFHK-M10   | Basic Unit     |        |         | 4.97                     | 126.2 | 7.41 | 188.2 | 11.21 | 248.7               | —    | —    | —    | —      | 1.12 | 509   |
| <b>SEDIMENT FILTER KIT (Housing &amp; Element)</b>    |                |        |         |                          |       |      |       |       |                     |      |      |      |        |      |       |
| 14SFHK-M10SM024                                       | 24             | 711    | 0.0280  | 4.97                     | 126.2 | 7.41 | 188.2 | 11.21 | 248.7               | 1.18 | 30.0 | 5.16 | 131.1  | 1.29 | 584   |
| 14SFHK-M10SM030                                       | 30             | 533    | 0.0232  |                          |       |      |       |       |                     |      |      |      |        |      |       |
| 14SFHK-M10SM040                                       | 40             | 381    | 0.0165  |                          |       |      |       |       |                     |      |      |      |        |      |       |
| 14SFHK-M10SM060                                       | 60             | 254    | 0.0100  |                          |       |      |       |       |                     |      |      |      |        |      |       |
| 14SFHK-M10SM100                                       | 100            | 152    | 0.0060  |                          |       |      |       |       |                     |      |      |      |        |      |       |
| 14SFHK-M10SM140                                       | 140            | 104    | 0.0040  |                          |       |      |       |       |                     |      |      |      |        |      |       |
| 14SFHK-M10SM200                                       | 200            | 74     | 0.0029  |                          |       |      |       |       |                     |      |      |      |        |      |       |
| 14SFHK-M10SM250                                       | 250            | 61     | 0.0024  |                          |       |      |       |       |                     |      |      |      |        |      |       |
| 14SFHK-M10SM500                                       | 500            | 30     | 0.0012  |                          |       |      |       |       |                     |      |      |      |        |      |       |
| 14SFHK-M10SM1000                                      | 1000           | 15     | 0.0006  |                          |       |      |       |       |                     |      |      |      |        |      |       |
| <b>FILTER HOUSING ONLY (No Element)</b>               |                |        |         |                          |       |      |       |       |                     |      |      |      |        |      |       |
| *14SFHK-MS10  | Basic Unit     |        |         | 4.97                     | 126.2 | 7.41 | 188.2 | 13.83 | 351.3               | —    | —    | —    | —      | 1.16 | 526   |
| <b>SEDIMENT SEPARATOR KIT (Housing &amp; Element)</b> |                |        |         |                          |       |      |       |       |                     |      |      |      |        |      |       |
| 14SFHK-MS10SM024                                      | 24             | 711    | 0.0280  | 4.97                     | 126.2 | 7.41 | 188.2 | 13.83 | 351.3               | 1.18 | 30.0 | 5.16 | 131.1  | 1.33 | 601   |
| 14SFHK-MS10SM030                                      | 30             | 533    | 0.0232  |                          |       |      |       |       |                     |      |      |      |        |      |       |
| 14SFHK-MS10SM040                                      | 40             | 381    | 0.0165  |                          |       |      |       |       |                     |      |      |      |        |      |       |
| 14SFHK-MS10SM060                                      | 60             | 254    | 0.0100  |                          |       |      |       |       |                     |      |      |      |        |      |       |
| 14SFHK-MS10SM100                                      | 100            | 152    | 0.0060  |                          |       |      |       |       |                     |      |      |      |        |      |       |
| 14SFHK-MS10SM140                                      | 140            | 104    | 0.0040  |                          |       |      |       |       |                     |      |      |      |        |      |       |
| 14SFHK-MS10SM200                                      | 200            | 74     | 0.0029  |                          |       |      |       |       |                     |      |      |      |        |      |       |
| 14SFHK-MS10SM250                                      | 250            | 61     | 0.0024  |                          |       |      |       |       |                     |      |      |      |        |      |       |
| 14SFHK-MS10SM500                                      | 500            | 30     | 0.0012  |                          |       |      |       |       |                     |      |      |      |        |      |       |
| 14SFHK-MS10SM1000                                     | 1000           | 15     | 0.0006  |                          |       |      |       |       |                     |      |      |      |        |      |       |



25 Whaley Avenue, PO Box 310, Milverton, ON CANADA N0K 1M0  
Tel: 800-561-3164

VISIT US ONLINE AT BOSHART.COM

For more information on installation, adjustment, repair & operation, visit Boshart Knowledge Base at [SUPPORT.BOSHART.COM](http://SUPPORT.BOSHART.COM)



# 14SF-(S)(F)E - 316 STAINLESS STEEL MESH ELEMENTS

## APPLICATION:

- Agriculture
- Industrial / Commercial
- Pre-treatment
- Whole House Residential
- Irrigation

## FEATURES:

- Suitable for Installation on either the Suction or Pressure Side of Pump
- Elements marked with mesh rating and replacement O-Ring for easy identification

## SPECIFICATION:

- Mesh Material: 316 Stainless Steel

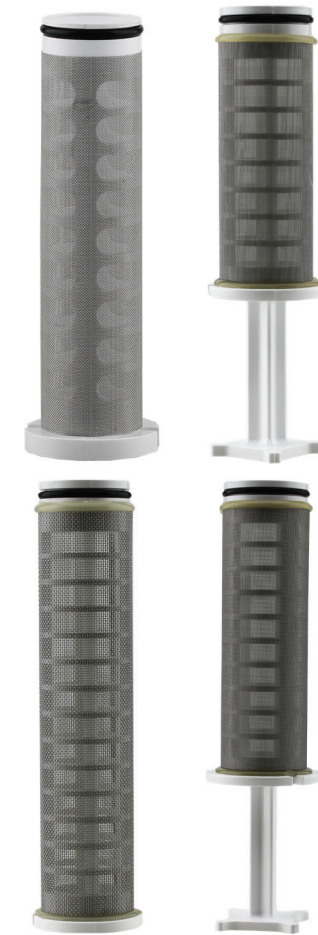
## CERTIFICATION:

- NSF/ANSI Standard 372 Certified (Drinking Water System Components - Lead Content)

## RATINGS:

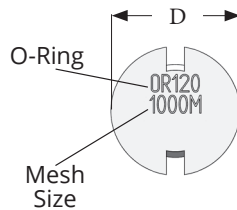
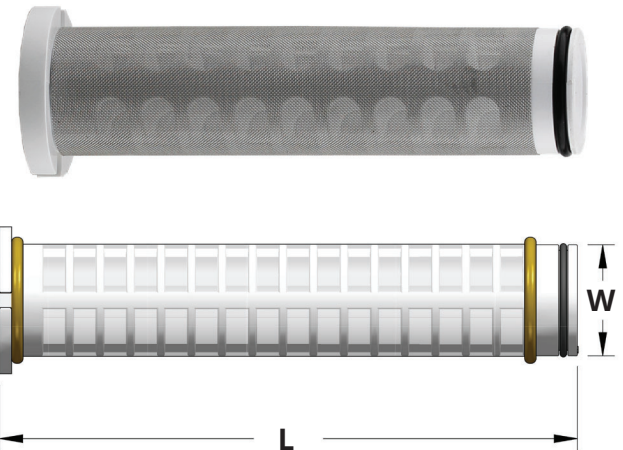
- Max Temperature Rating: Up to 100°F (38°C) @ 40 PSI
- Max Pressure Rating: 150 PSI @ 73°F (23°C)

\*\*If housing has been purchased separately and not as a kit, you will need to purchase the filter element\*\*



| MATERIAL LIST  |  |
|----------------|--|
| Part Name      | Material                                       |
| Element Core   | HR-5009 RIGID Polyvinyl Chloride (PVC) (White) |
| Element O-Ring | Buna-N (Size AS568-216)                        |
| Screen         | 316 Stainless Steel                            |

| SCREEN SIZES #316 STAINLESS STEEL |      |         |
|-----------------------------------|------|---------|
| Sediment Type                     | Mesh | Microns |
| Shell, shale                      | 24   | 711     |
| Shell, debris                     | 30   | 533     |
| Coarse sand, pipe scale           | 40   | 381     |
| Coarse sand, pipe scale           | 60   | 254     |
| Fine sand                         | 100  | 152     |
| Fine sand                         | 140  | 104     |
| Pre-filter, extra fine sand       | 200  | 80      |
| Pre-filter, extra fine sand       | 250  | 61      |
| Pre-filter, extra fine sand       | 500  | 30      |
| Pre-filter, extra fine sand       | 1000 | 15      |



## 1" or 1-1/4" Filter/Separator

| DIMENSIONS                                   |           |           |               |              |      |      |      |        |        |       |
|--|-----------|-----------|---------------|--------------|------|------|------|--------|--------|-------|
| Part No.                                     | Flow Rate | Mesh Size | Micron Rating | Opening Size | W    |      | L    |        | Weight |       |
|  |           |           |               |              | in   | mm   | in   | mm     | lbs    | grams |
| <b>1" OR 1-1/4" FILTER/SEPARATOR ELEMENT</b> |           |           |               |              |      |      |      |        |        |       |
| 14SF-FE10SM024                               | 1-25 GPM  | 24        | 711           | 0.0280       | 1.18 | 30.0 | 4.25 | 107.95 | 1.15   | 520   |
| 14SF-FE10SM030                               |           | 30        | 533           | 0.0232       | 1.18 | 30.0 | 4.25 | 107.95 | 1.15   | 520   |
| 14SF-FE10SM040                               |           | 40        | 381           | 0.0165       | 1.18 | 30.0 | 4.25 | 107.95 | 1.15   | 520   |
| 14SF-FE10SM060                               |           | 60        | 254           | 0.0100       | 1.18 | 30.0 | 4.25 | 107.95 | 1.15   | 520   |
| 14SF-FE10SM100                               |           | 100       | 152           | 0.0060       | 1.18 | 30.0 | 4.25 | 107.95 | 1.15   | 520   |
| 14SF-FE10SM140                               |           | 140       | 104           | 0.0040       | 1.18 | 30.0 | 4.25 | 107.95 | 1.15   | 520   |
| 14SF-FE10SM200                               |           | 200       | 74            | 0.0029       | 1.18 | 30.0 | 4.25 | 107.95 | 1.15   | 520   |
| 14SF-FE10SM250                               |           | 250       | 61            | 0.0024       | 1.18 | 30.0 | 4.25 | 107.95 | 1.15   | 520   |
| 14SF-FE10SM500                               |           | 500       | 30            | 0.0012       | 1.18 | 30.0 | 4.25 | 107.95 | 1.15   | 520   |
| 14SF-FE10SM1000                              |           | 1000      | 15            | 0.0006       | 1.18 | 30.0 | 4.25 | 107.95 | 1.15   | 520   |



25 Whaley Avenue, PO Box 310, Milverton, ON CANADA N0K 1M0  
Tel: 800-561-3164

VISIT US ONLINE AT BOSHART.COM

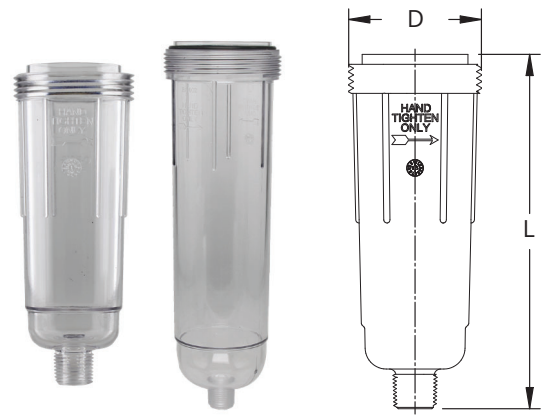
For more information on installation, adjustment, repair & operation, visit Boshart Knowledge Base at SUPPORT.BOSHART.COM



# REPLACEMENT PARTS & ACCESSORIES:

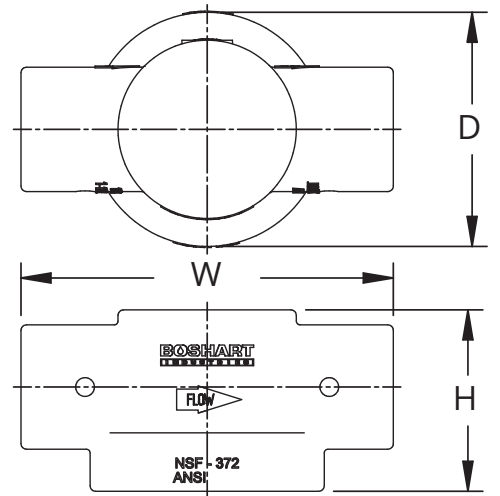
## Filter Bowl

| Part No.    | Description                   | L     |        | D    |       |
|-------------|-------------------------------|-------|--------|------|-------|
|             |                               | in    | mm     | in   | mm    |
| 14SF-FB10   | For 1" filter                 | 6.70  | 170.18 | 2.51 | 63.75 |
| 14SF-FB10XS | For 1" separator              | 9.35  | 237.49 | 2.51 | 63.75 |
| 14SF-FB15   | For 1-1/2" filter & separator | 9.97  | 253.24 | 2.83 | 71.88 |
| 14SF-FB20   | For 2" filter & separator     | 11.15 | 283.21 | 3.41 | 86.61 |



## Filter Head

| Part No.      | Description                   | D    |        | H    |        |
|---------------|-------------------------------|------|--------|------|--------|
|               |                               | in   | mm     | in   | mm     |
| 14SF-FH10-BII | For 1" filter and separator   | 3.12 | 79.25  | 2.42 | 61.47  |
| 14SF-FH15-BII | For 1-1/2" filter & separator | 3.38 | 85.85  | 3.25 | 82.55  |
| 14SF-FH20-BII | For 2" filter & separator     | 3.98 | 101.09 | 4.66 | 118.36 |



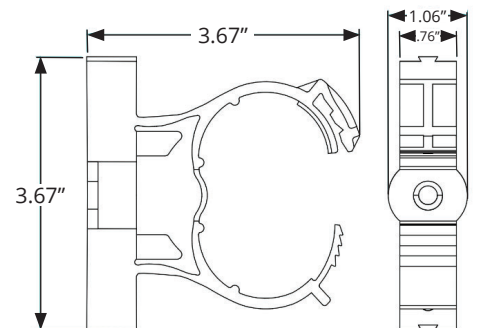
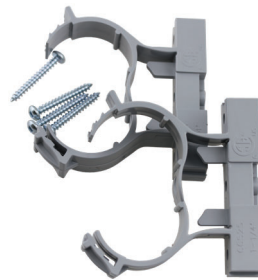
14SF-FH10-BII



14SF-FH10-BII  
&  
14SF-FH20-BII

## Clamp Kit

| Part No.   | Description  |
|------------|--|
| 14SF-MCK10 | For 1" filter & separator - comes with 2 clamps and hardware |



25 Whaley Avenue, PO Box 310, Milverton, ON CANADA N0K 1M0  
Tel: 800-561-3164

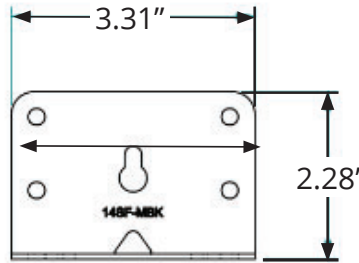
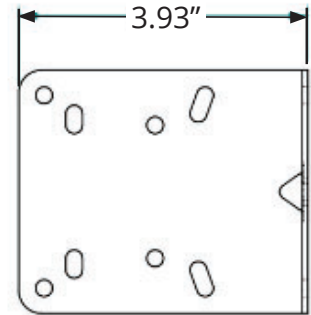
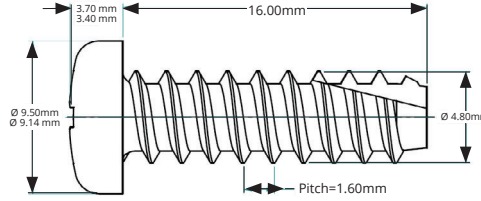
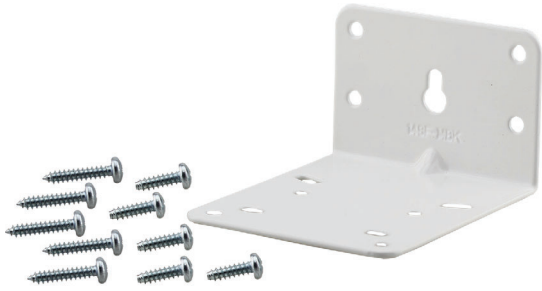
VISIT US ONLINE AT [BOSHART.COM](http://BOSHART.COM)

For more information on installation, adjustment, repair & operation, visit Boshart Knowledge Base at [SUPPORT.BOSHART.COM](http://SUPPORT.BOSHART.COM)



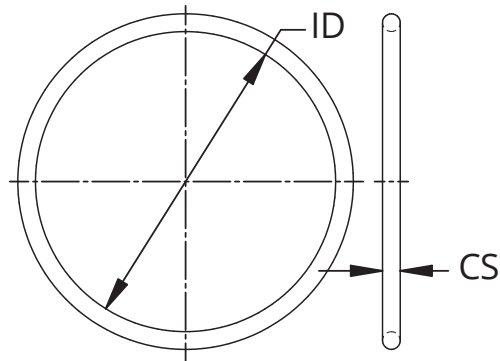
## Mounting Bracket

| Part No. | Description  |
|----------|--|
| 14SF-MBK | For 1-1/2" & 2" filter & separator - bracket with hardware |



## O-Ring Kit

| Part No.   | Description                             | Dimensions   |
|------------|---|--|
| 14SF-ORK10 | 1" - includes AS568-120 & AS568-226     | AS568-120 - 0.987" ID x 0.103" CS (25.07mm ID x 2.62mm CS)<br>AS568-226 - 1.984" ID x 0.139" CS (50.39mm ID x 3.53mm CS) |
| 14SF-ORK15 | 1-1/2" - includes AS568-216 & AS568-229 | AS568-216 - 1.109" ID x 0.139" CS (28.17mm ID x 3.53mm CS)<br>AS568-229 - 2.359" ID x 0.139" CS (59.92mm ID x 3.53mm CS) |
| 14SF-ORK20 | 2" - includes AS568-220 & AS568-232     | AS568-220 - 1.359" ID x 0.139" CS (34.52mm ID x 3.53mm CS)<br>AS568-232 - 2.734" ID x 0.139" CS (69.44mm ID x 3.53mm CS) |



**BOSHART**  
**INDUSTRIES**

25 Whaley Avenue, PO Box 310, Milverton, ON CANADA N0K 1M0  
Tel: 800-561-3164

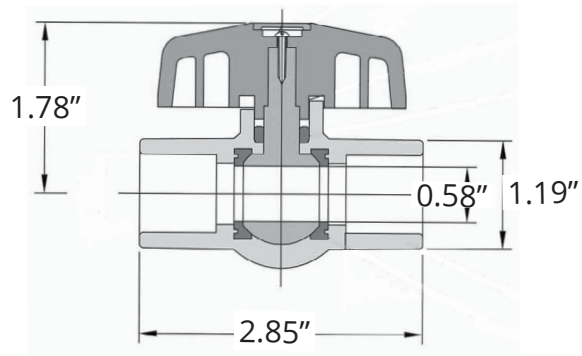
VISIT US ONLINE AT [BOSHART.COM](http://BOSHART.COM)

For more information on installation, adjustment, repair & operation, visit Boshart Knowledge Base at [SUPPORT.BOSHART.COM](http://SUPPORT.BOSHART.COM)



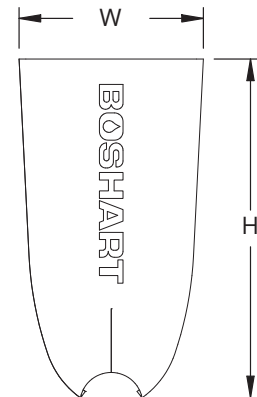
## Purve Valve

| Part No. | Description         |
|----------|---------------------|
| 0929-05  | 1/2" PVC Ball Valve |



## UV Cover

- Boshart UV Covers are commonly used in irrigation, well water, agricultural, and industrial filtration applications. They are designed to protect spin-out filters from UV exposure, weather, and physical damage while helping to inhibit algae growth caused by sunlight. Ideal for filters installed outdoors, in direct sunlight, or in algae-prone applications, these covers extend the lifespan of the filter body and help maintain water quality and system performance. Made from durable neoprene, they are installed by slipping over the clear filter bowl without the need for tools.



| Part No.         | Description   | H     |        | W    |        |
|------------------|---|-------|--------|------|--------|
|                  |   | in    | mm     | in   | mm     |
| 14SF-FB10-UVCG   | 1" Spin-Out Filter Neoprene UV Cover                            | 6.28  | 159.51 | 3.42 | 86.87  |
|                  | Fits 14SFHK-10, 14SFHK-10SMxxx, 14SFHK-M10, 14SFHK-M10SMxxx     |       |        |      |        |
| 14SF-FB10XS-UVCG | 1" Spin-Out Separator (Extended Bowl) Neoprene UV Cover         | 8.67  | 220.22 | 3.20 | 81.28  |
|                  | Fits 14SFHK-S10, 14SFHK-S10SMxxx, 14SFHK-MS10, 14SFHK-MS10SMxxx |       |        |      |        |
| 14SF-FB15-UVCG   | 1-1/2" Spin-Out Filter/Separator Neoprene UV Cover              | 9.17  | 232.92 | 3.66 | 92.96  |
|                  | Fits 14SFHK-15, 14SFHK-15SMxxx                                  |       |        |      |        |
| 14SF-FB20-UVCG   | 2" Spin-Out Filter/Separator Neoprene UV Cover                  | 10.20 | 259.08 | 4.65 | 118.11 |
|                  | Fits 14SFHK-20, 14SFHK-20SMxxx                                  |       |        |      |        |



25 Whaley Avenue, PO Box 310, Milverton, ON CANADA N0K 1M0  
Tel: 800-561-3164

VISIT US ONLINE AT BOSHART.COM

For more information on installation, adjustment, repair & operation, visit Boshart Knowledge Base at SUPPORT.BOSHART.COM

