

0861-NL SERIES NO LEAD NON-FREEZE WALL HYDRANT

Boshart's Non-Freeze Wall Hydrant can be installed through a wall and allow water to drain back out of the valve so freezing will not occur in the winter season. This prevents the need for winterizing and allows outdoor access to water year round.

CAUTION: Boshart will not be liable for any damage caused by failure to remove the hose or any attached device. Failure to do so may cause the hydrant to freeze. Freezing can lead to the tube bursting, resulting in property damage and may void the warranty. Boshart will not be liable for any damage caused by failure to remove the hose or attached device. Wall hydrants are not intended for potable water supply.

FEATURES:

- Chrome plated no lead brass body and tube
- Stem comes with a weep hole to allow back pressure relief when water is trying to siphon back into the homes water supply
- Rubber Sealing Disc
- Rubber Stem Packing

SPECIFICATION:

- Inlet Connection:
 - Threads conform to ANSI/ASME B1.20.1 Pipe Threads, General Purpose (Inch)
 - Sweat connection conforms to ANSI B16.18 Cast Copper Alloy Solder Joint Pressure Fittings
- Outlet Connection:
 - ASME B1.20.7 Standard for Garden Hose Coupling Screw Threads (inch)

RATINGS:

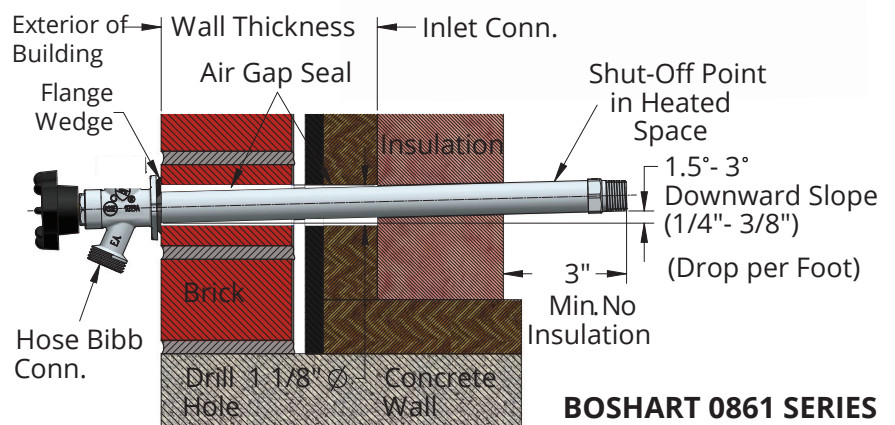
- Max Pressure Rating: 125 PSI
- Max Temperature Rating: 120°F (49°C)

CERTIFICATION:

- NSF/ANSI Standard 61 Certified (Drinking Water System Components - Health Effects)
- NSF/ANSI Standard 372 Certified (Drinking Water System Components - Lead Content)
- CSA Standard B125.1 Plumbing Fittings Certified



White flange wedge can be used to ensure downward tilt.
"REMOVE HOSE IN FREEZING WEATHER"



BOSHART 0861 SERIES

Short bursts of water can occur from vacuum breaker, but will stop. If it continues to leak, vacuum breaker should be replaced

BOSHART
INDUSTRIES

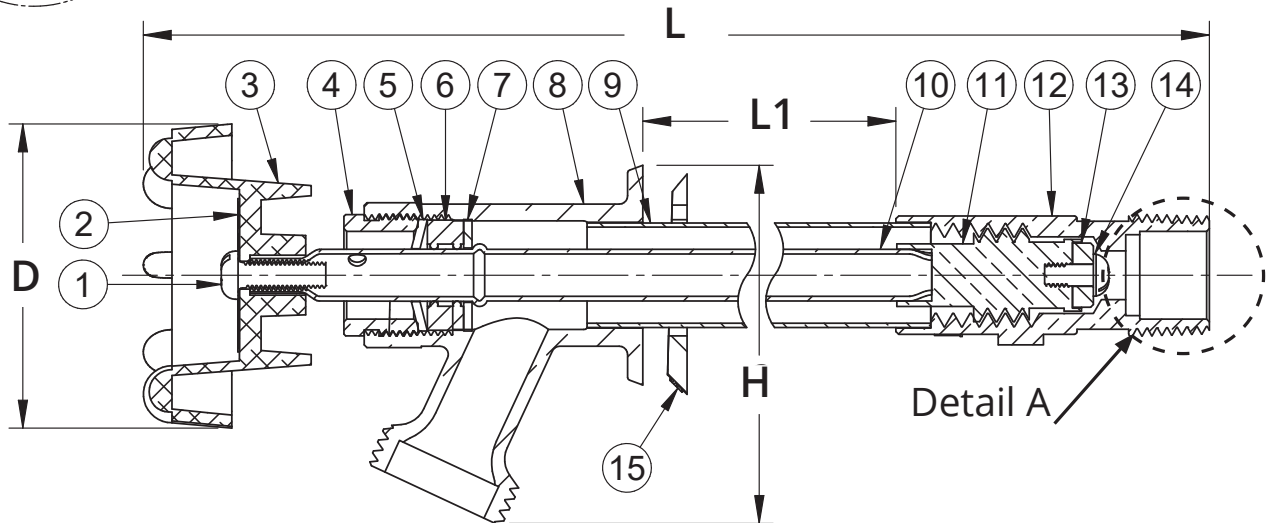
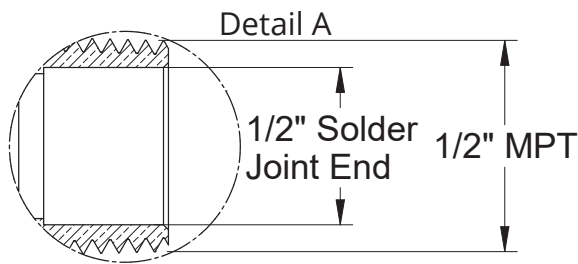
25 Whaley Avenue, PO Box 310, Milverton, ON CANADA N0K 1M0
Tel: 800-561-3164
VISIT US ONLINE AT BOSHART.COM

For more information on installation, adjustment, repair & operation, visit Boshart Knowledge Base at SUPPORT.BOSHART.COM



REPLACEMENT PARTS		
Part No.	Description	Components
0861PT-HDL	Replacement Handle	3
0861PT-VSK	Replacement Valve Seal Kit	13, 14
0861PT-SPK	Replacement Stem Packing Kit	4 to 7
0861PT-SA08	8" Replacement Stem Assembly	6, 10, 11, 13, 14
0861PT-SA10	10" Replacement Stem Assembly	
0861PT-SA12	12" Replacement Stem Assembly	
0861PT-SA14	14" Replacement Stem Assembly	

MATERIAL LIST		
Part No.	Part Name	Material
1	Handle Bolt	C27000 No Lead Brass
2	Name Plate	1100 Aluminum
3	Handwheel	Zinc
4	Stem Packing Nut	C36000 No Lead Brass
5	Stem Packing Washer	304 Stainless Steel
6	Stem Packing	NBR (Nitrile Butadiene Rubber)
7	Stem Packing Flat Washer	304 Stainless Steel
8	Body	C46500 Chrome Plated No Lead Brass
9	Tube	C26000 Chrome Plated No Lead Brass
10	Stem Pipe	C27000 No Lead Brass
11	Stem	C46500 No Lead Brass
12	Seat	C46500 No Lead Brass
13	Seat Packing	Rubber NBR (Nitrile Butadiene Rubber)
14	Seat Screw	C27000 No Lead Brass
15	Flange Wedge/Insert Spacer	LDPE (Low-Density Polyethylene)



DIMENSIONS												
Part No.	Description	Size	D		L		L1		H		Weight	
			in	mm	in	mm	in	mm	in	mm	lbs	grams
0861-080NL	1/2" MPT or Copper x 3/4" GHT	8"	2.15	54.50	12.65	321.00	7.28	185	2.84	72.00	0.91	411
0861-100NL	1/2" MPT or Copper x 3/4" GHT	10"	2.15	54.50	14.66	372.00	9.25	235	2.84	72.00	0.96	437
0861-120NL	1/2" MPT or Copper x 3/4" GHT	12"	2.15	54.50	16.67	423.00	11.22	285	2.84	72.00	0.98	446
0861-140NL	1/2" MPT or Copper x 3/4" GHT	14"	2.15	54.50	18.68	474.00	13.19	335	2.84	72.00	1.08	491

BOSHART
INDUSTRIES

25 Whaley Avenue, PO Box 310, Milverton, ON CANADA N0K 1M0
Tel: 800-561-3164
VISIT US ONLINE AT BOSHART.COM

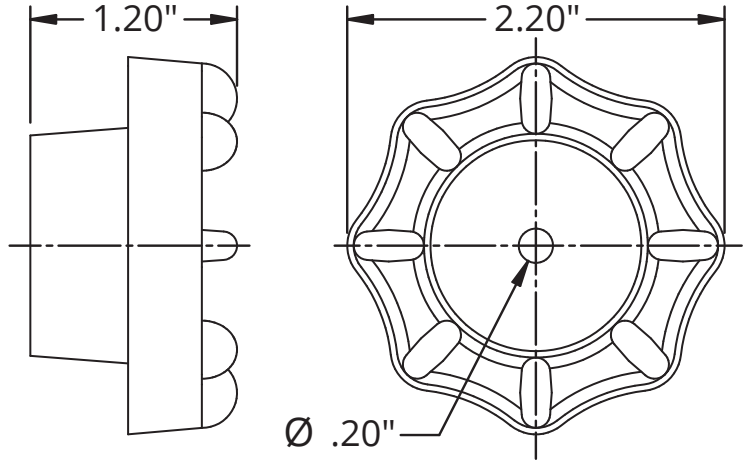
For more information on installation, adjustment, repair & operation, visit Boshart Knowledge Base at SUPPORT.BOSHART.COM



0861 SERIES REPLACEMENT PARTS

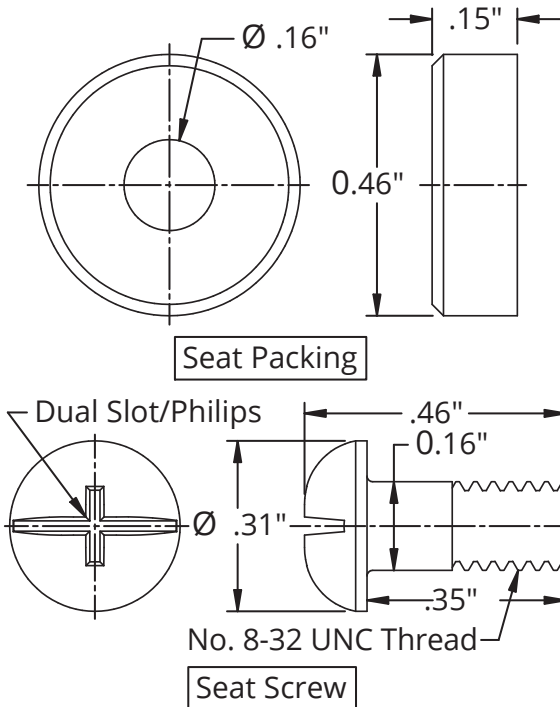
0861HPT-HDL - Replacement Handle

- Handwheel only



0861PT-VSK - Replacement Valve Seal Kit

- Includes seat packing and seat screw



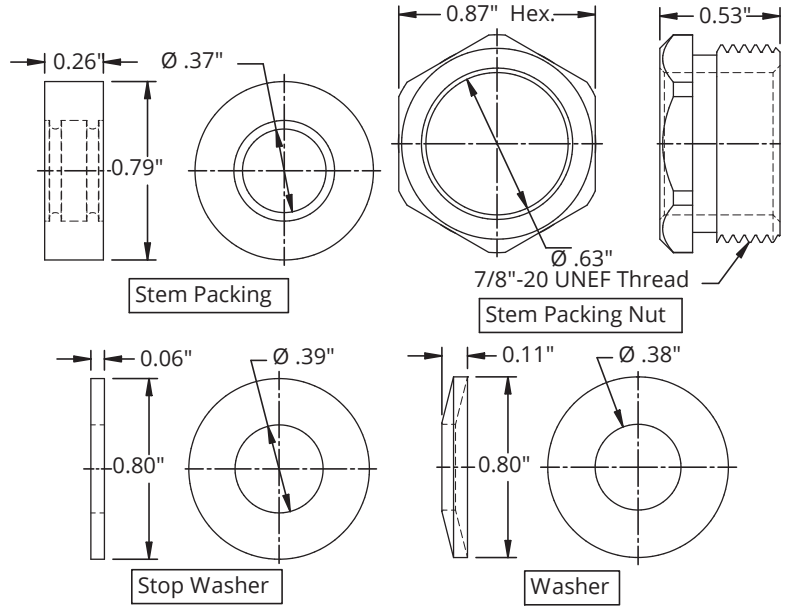
25 Whaley Avenue, PO Box 310, Milverton, ON CANADA N0K 1M0
Tel: 800-561-3164
VISIT US ONLINE AT BOSHART.COM

For more information on installation, adjustment, repair & operation, visit Boshart Knowledge Base at SUPPORT.BOSHART.COM



0861HPT-SPK - Replacement Stem Packing Kit

- Includes bonnet, washer, stem packing and stop washer

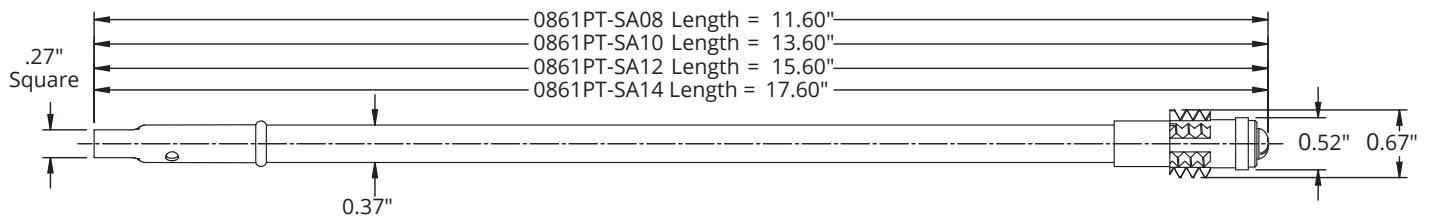
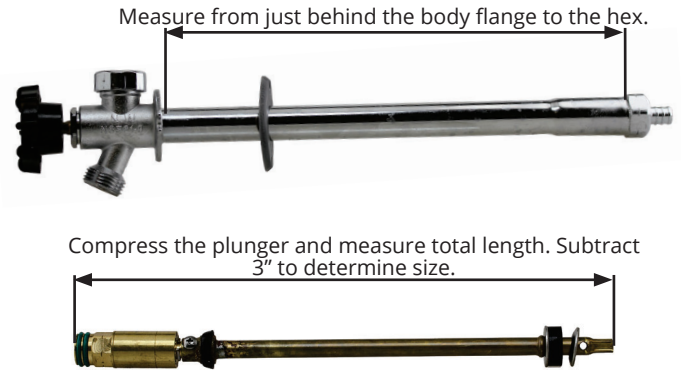


0861PT-SA(xx) - Stem Assembly

- Available in 8", 10", 12" and 14" lengths



Determining Stem Length



BOSHART
INDUSTRIES

25 Whaley Avenue, PO Box 310, Milverton, ON CANADA N0K 1M0
Tel: 800-561-3164
VISIT US ONLINE AT BOSHART.COM

For more information on installation, adjustment, repair & operation, visit Boshart Knowledge Base at SUPPORT.BOSHART.COM



How do you install an 0861/0865 frost-free wall hydrant?

Before getting started, it is extremely important to make sure you have an appropriate length of wall hydrant for your wall thickness. The inlet connection MUST extend through the wall and any insulation so that the connection is inside the warm space at a position that is easily accessible to make the water line connection.

Step # 1- Drill a 1-1/8" diameter hole on a 5° upward angle from the outside to ensure you have sufficient downward slope to the outlet for drainage. Drill through the foundation wall or the floor joist band. Then insert the faucet tube from the outside. **WARNING:** Do not drill the hole horizontally. A 1-1/8" diameter hole will only allow the tube to be installed at approximately up to 1.5°. It does not have enough play to properly slope the wall hydrant.

Step #2 - Position the faucet so that the faucet's spout is pointing directly downward. To check the spout's position from the inside of the building, place the "TOP" marking on the hex by the inlet connection pointing up.

Step #3- Place the angled, wedge-shaped, plastic flange with the thick side upwards to ensure the hydrant tube has a minimum of a 5° angle downwards to the spout to insure proper drainage. Then, secure the wall faucet flange on to the wall with two #8 or #10 wood or masonry screws depending on your construction. Failure to ensure the 5° angle will result in trapped water which will cause the wall faucet to freeze and fail, damaging internal components or in the worst-case scenario, burst the tube and potentially cause water damage.

Step #4 - If you are using the internal solder (sweat) connection, the stem assembly MUST be removed to prevent damage to the rubber seals due to excessive heat. To remove the stem assembly, unscrew the hexagon nut behind the hand wheel and then pull the valve stem straight out of the tube by pulling on the handwheel.

Step #5 - Fill the free space (air gap) around the tube with caulking to seal the air gap.

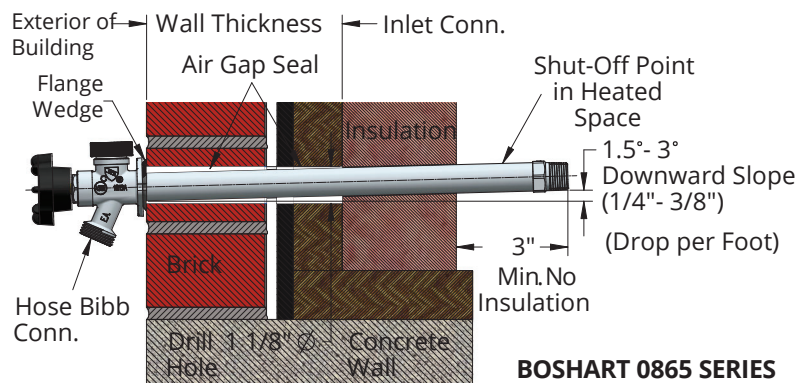
Step #6 - When insulating, DO NOT insulate beyond 3" from the inlet connection. The 3" section of the tube from the inlet end must not be insulated from the warmth of the building to ensure it does not freeze. Insulating too close to or over the inlet connection may cause the wall faucet to freeze and fail, damaging internal components, or in worst-case scenario, burst the tube and potentially cause water damage.

IMPORTANT WARNINGS:

#1 - Winterization: When the cold weather arrives, it is crucial to remove the hose to ensure proper drainage. Failure to remove the hose WILL cause the wall faucet to freeze and fail, damaging internal components. It is not a product defect! Turn the handle to the closed position (clockwise) and always detach the hose from the spout if there is any chance of frost. Damage due to freezing will void warranty.

#2 - Keep Inlet Heated: Wall hydrants are frost-proof because the water is shut off inside the heated portion of the building. If the building is left unheated for an extended period, the water supply lines must be drained and all plumbing fixtures and components properly winterized to prevent freezing.

For troubleshooting and selection guide, visit our Knowledge Base.



BOSHART
INDUSTRIES

25 Whaley Avenue, PO Box 310, Milverton, ON CANADA N0K 1M0
Tel: 800-561-3164
VISIT US ONLINE AT BOSHART.COM

For more information on installation, adjustment, repair & operation, visit Boshart Knowledge Base at SUPPORT.BOSHART.COM

