

WS-V05 SERIES - STEEL & PVC WELL SEAL VENTS

WS-V05-G

APPLICATIONS:

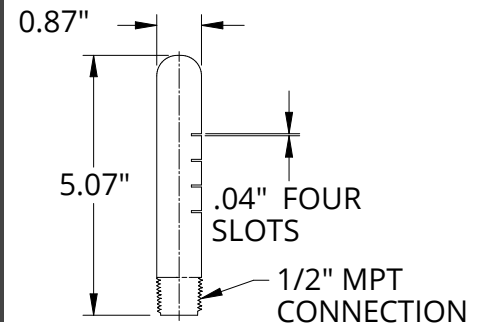
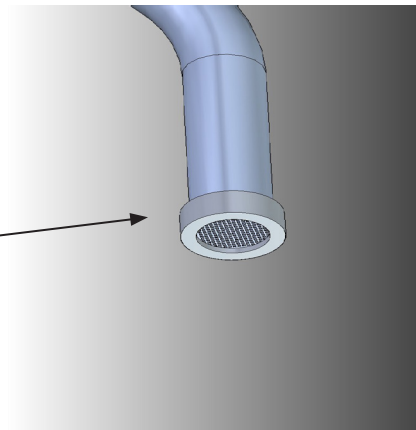
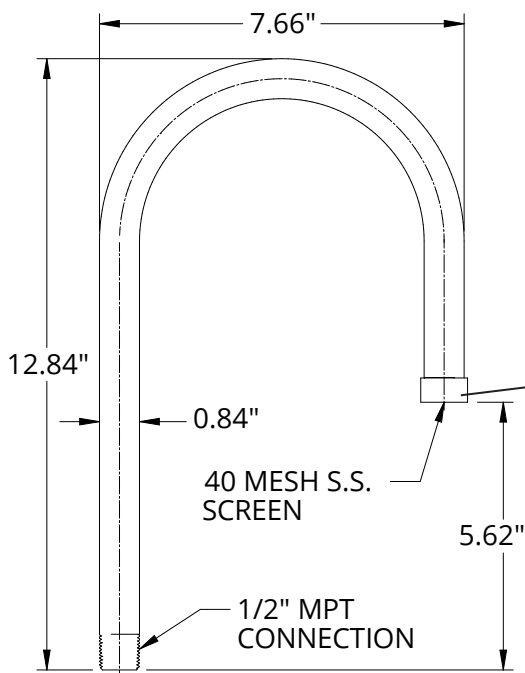
- These air vents are threaded into the well seal air vent connection for water well ventilation, allowing air into the well during the pumping phase and to release air as the static level of the water rises between pumping cycles.
- Air vents must be plumbed to ensure the intake screen of the vent will never be submersed in water if the well pit were to get flooded with surface water in heavy rain or flood condition.

FEATURES:

- Steel: 40 mesh - equivalent to 0.015" (0.381 mm) slot size of PVC slotted well screen / points, 36% open area, 1/64" (0.397 mm) openings.
- Downward facing Stainless Steel screen, screen diameter 0.720", screen adapter threaded cap. The gooseneck pipe has 1/2" NPT well seal connection.
- PVC: vents have four 0.04" (1.016 mm) slots on each side.
- Screen / slots make both models vermin proof.

SPECIFICATIONS:

- WS-V05-G: 1/2" MPT Zinc Plated Steel tube, 1.520 lbs (689.5 grams)
- WS-V05: 1/2" MPT Black PVC, 0.059 lbs (26.76 grams)



BOSHART
INDUSTRIES

25 Whaley Avenue, PO Box 310
Milverton, ON CANADA NOK 1M0
Tel: 800-561-3164

VISIT US ONLINE AT BOSHART.COM

For more information on installation,
adjustment, repair & operation, visit
Boshart Knowledge Base at
SUPPORT.BOSHART.COM

