

# SSBV1000 SERIES - 316 SS, 1000 WOG BALL VALVE (THREADED) WITH LOCKING HANDLE

## APPLICATIONS:

- For water well, plumbing, irrigation, commercial, and industrial applications.
- Not to be used in steam or combustible gas applications.

## SPECIFICATIONS:

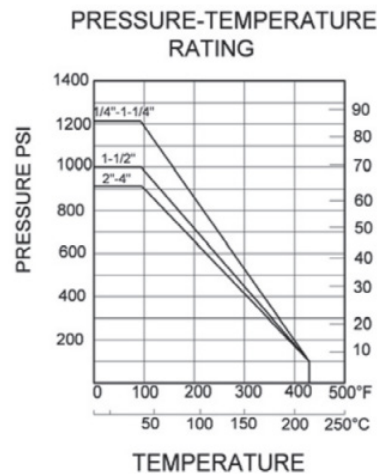
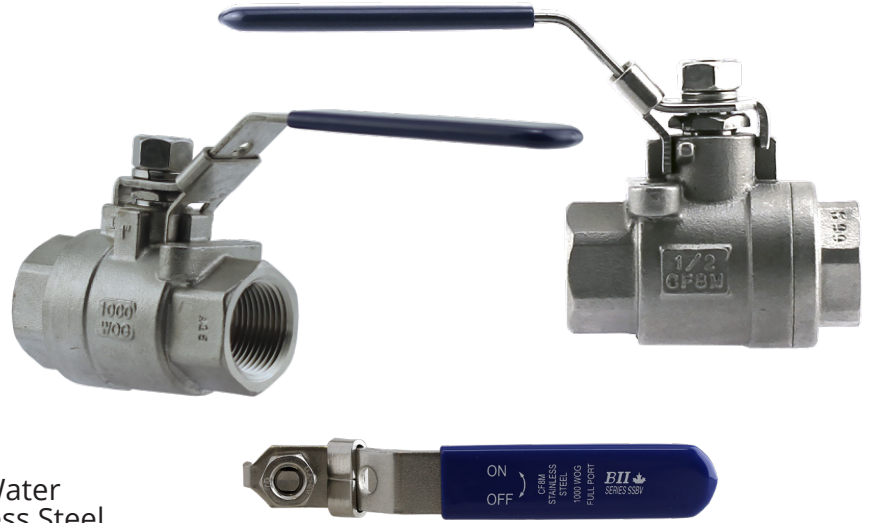
- Threads conform to ANSI/ASME B1.20.1
- Full port design
- Two piece investment cast body
- Blow-out proof stem
- Mounting pad
- Stainless steel locking handle with blue plastic sleeve

## CERTIFICATION:

- NSF/ANSI Standard 372 Certified (Drinking Water System Components - Lead Content - Stainless Steel alloys do not contain any lead 0.00% Pb)

## RATINGS:

- Maximum Pressure Rating: 1000 PSI at 100°F WOG. The pressure rating drops as them temperature increases; for example at 425°F the max pressure rating drops to 100 PSI. Refer to the Pressure-Temperature chart below.
- In the WOG (Water, Oil, Gas) designation, "Gas" refers to any non-flammable, compressible fluid in a gaseous state. It does not imply a product's suitability or third-party approval for use with flammable gases. Similarly, in this designation, "Oil" does not imply the product is third-party certified for use with any petroleum products.
- Maximum Temperature Rating: 450°F (232 °C)

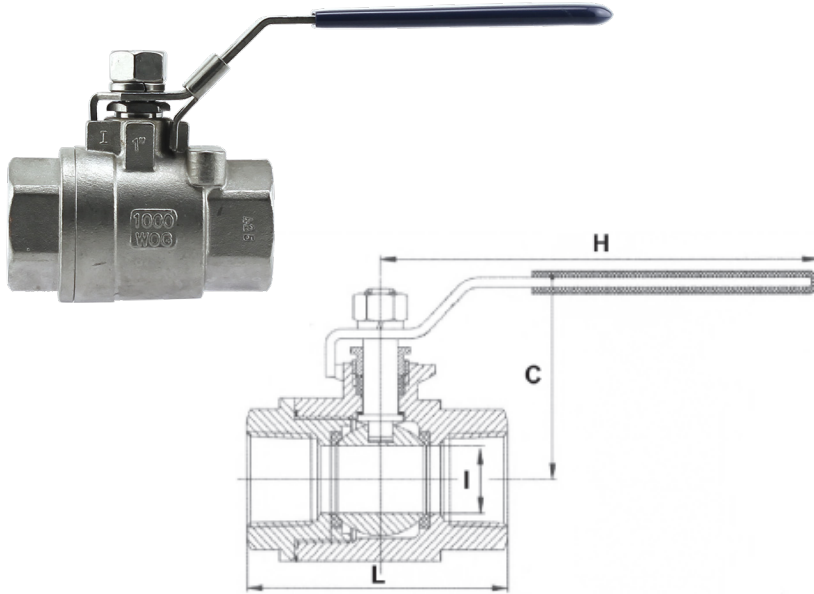


DIMENSIONS											
Part No.	Description	I		H		L		C		Weight	
		in	mm	in	mm	in	mm	in	mm	lb	grams
SSBV1000-02	1/4" FxF	0.45	11.5	3.18	81.0	2.12	54.0	1.89	48.0	0.485	220
SSBV1000-03	3/8" FxF	0.47	12.0	3.38	86.0	2.12	54.0	1.89	48.0	0.485	220
SSBV1000-05	1/2" FxF	0.59	15.0	3.78	96.0	2.48	63.0	2.12	54.0	0.816	370
SSBV1000-07	3/4" FxF	0.78	20.0	4.25	108.0	2.87	73.0	2.24	57.0	1.191	540
SSBV1000-10	1" FxF	0.98	25.0	5.27	134.0	3.46	88.0	2.59	66.0	2.006	910
SSBV1000-12	1-1/4" FxF	1.26	32.0	5.78	147.0	4.01	102.0	2.91	74.0	2.888	1310
SSBV1000-15	1-1/2" FxF	1.49	38.0	6.29	160.0	4.29	109.0	3.30	84.0	4.564	2070
SSBV1000-20	2" FxF	1.96	50.0	6.49	165.0	4.92	125.0	3.62	92.0	6.614	3000
SSBV1000-25	2-1/2" FxF	2.55	65.0	9.84	250.0	6.29	160.0	5.11	130.0	14.42	6540
SSBV1000-30	3" FxF	3.15	80.0	9.84	250.0	7.28	185.0	5.51	140.0	23.06	10460

**BOSHART**  
INDUSTRIES

25 Whaley Avenue, PO Box 310, Milverton, ON CANADA N0K 1M0  
Tel: 800-561-3164

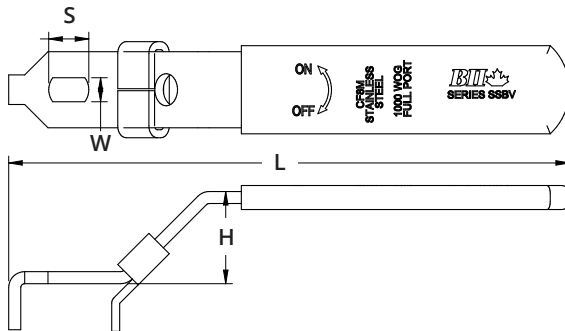
[boshart.com](http://boshart.com) ♦ [blog.boshart.com](http://blog.boshart.com)



MATERIAL LIST	
Part Name	Material
Body	CF8M 316 Stainless Steel
Cap	CF8M 316 Stainless Steel
Ball	CF8M 316 Stainless Steel
Stem	CF8M 316 Stainless Steel
Seat	PTFE (Polytetrafluoroethylene)
Gasket	PTFE
Washer	PTFE
Stem Packing	PTFE
Gland Nut	304 Stainless Steel
Lock Washer	304 Stainless Steel
Nut	304 Stainless Steel
Handle	304 Stainless Steel

### REPLACEMENT HANDLE KITS (Sold Separately):

- Each kit (including one handle, one nut, and one washer) is individually packaged in a bag.



DIMENSIONS												
Ball Valve Part No.	Size (F x F)	Replacement Handle Kit Part No.	L		H		S		W		S.S. Locknut	S.S. Split Washer
			in	mm	in	mm	in	mm	in	mm		
SSBV1000-02	1/4"	SSBVH1-1	4.528	115	0.846	21.49	0.315	8.00	0.197	5.00	M8 x 1.25	M8
SSBV1000-03	3/8"											
SSBV1000-05	1/2"	SSBVH1-1/2	4.528	115	0.846	21.49	0.315	8.00	0.197	5.00	M8 x 1.25	M8
SSBV1000-07	3/4"	SSBVH1-2	5.512	140	0.906	23.01	0.394	10.00	0.236	5.99	M10 x 1.5	M10
SSBV1000-10	1"	SSBVH1-3	6.693	170	1.024	26.00	0.472	11.99	0.276	7.01	M12 x 1.75	M12
SSBV1000-12	1-1/4"											
SSBV1000-15	1-1/2"	SSBVH1-4	7.874	200	1.181	29.99	0.551	13.99	0.354	8.99	M14 x 2.0	M14
SSBV1000-20	2"											
SSBV1000-25	2-1/2"	SSBVH1-5	10.04	255	1.535	38.99	0.787	19.99	0.394	10.01	M16 x 2.0	M16
SSBV1000-30	3"											

For more information on installation, adjustment, repair & operation, visit Boshart Knowledge Base at [SUPPORT.BOSHART.COM](http://SUPPORT.BOSHART.COM)



25 Whaley Avenue, PO Box 310, Milverton, ON CANADA N0K 1M0  
Tel: 800-561-3164

[boshart.com](http://boshart.com) ♦ [blog.boshart.com](http://blog.boshart.com)