

# SV SERIES - SNIFTER VALVES & AIR VALVES

The term Snifter Valve is typically used to describe an air valve with either a light valve core spring or a valve core with no spring at all. Air Valves, or Tank Valves, are manufactured with strong springs.

## APPLICATION:

- Snifter valves with soft core springs are used in shallow well pump systems to allow air to be drawn in through the valve's vented cap to recharge a Shallow Well Air Volume Control (AVC).
- Snifter valves are also used to allow air into a bleeder type air charging system in a deep well application. The soft core spring allows air to be drawn in through the valve's vented cap to drain the drop pipe down to the bleeder where a hydropneumatics (galvanized) pressure tank is used in conjunction with a deep well air volume control.

NOTE\* Snifter Valves, bleeders and Air Volume Controls are ONLY used on pumping systems with "Hydropneumatic" tanks.

- Air valves, or Tank valves, are installed to allow a homeowner or service technician a means to add air using an air compressor to a hydropneumatic tank to correct a waterlogged tank situation.



## FEATURES:

- Snifter valves offer three valve core options; Domestic valve core / Yellow Seal opens at 2-4 Hg VAC, Imported valve core / Green Seal opens at 1-2 Hg VAC, and No Spring valve core / Red Seal opens at 0 Hg VAC, and are supplied with a vented cap.
- The SV-1NL is used as an Air or Tank valve, and is supplied with a Heavy 60 PSI Core Spring / Blue Seal) and a sealed cap.

## CERTIFICATIONS:

- NSF/ANSI/CAN 372 Standard Certified (Drinking Water System Components - Lead Content)  
\*APPLIES TO SV-NL PARTS ONLY.

## SPECIFICATIONS:

- SV-NL Parts: Made from C6802 No Lead Brass
- All other parts: Made from C36000

SNIFTER VALVE CAPS	
Part No.	Description
SV-CAP-M	Copper/Zinc Alloy Cap with Rubber Seal - Sealed
SV-CAP-MV	Copper/Zinc Alloy Cap - Vented

ALLOY COMPOSITION C36000	
Elements	% Min/Max
Cu	60.0 - 63.0
Fe	0.35 max
Pb	2.5 - 3.0
Zn	Rem

ALLOY COMPOSITION No Lead Brass C6802	
Elements	% Min/Max
Cu	57.0 - 64.0
Bi	0.5 - 4.0
Si	0
Sn	0.2 - 2.5
P	0.2 max
Pb	0.01 - <0.1
Zn	Rem
Fe	0 - 0.7

## SNIFTER VALVE SPECIFICATIONS

Part No.	Connection	Core Spring	Core Seal Colour	Opens At	Cap	Working Pressure	Working Temp.
SV-0-NCS	1/8" MPT	No-Spring	Red	0 Hg VAC	Metal - Vented (SV-CAP-MV)	15-150 PSI	-10° to +165°F
SV-0NL*		Light Spring	Green	1-2 Hg VAC			
SV-0-SC-VC		Light Spring (Domestic)	Yellow	2-4 Hg VAC			
SV-1-NCS	1/4" MPT	No-Spring	Red	0 Hg VAC			
SV-1-SC-VC		Light Spring (Domestic)	Yellow	2-4 Hg VAC			

## AIR VALVE SPECIFICATIONS

SV-1NL*	1/4" MPT	Heavy Spring	Blue	60 PSI	Metal - Sealed (SV-CAP-M)	0-200 PSI (Peaks of 300)	-40° to +200°F
---------	----------	--------------	------	--------	---------------------------	--------------------------	----------------

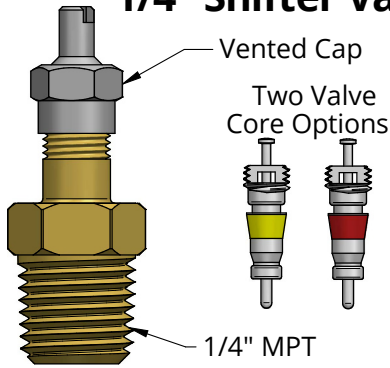
**BOSHART**  
INDUSTRIES

25 Whaley Avenue, PO Box 310, Milverton, ON CANADA N0K 1M0  
Tel: 800-561-3164

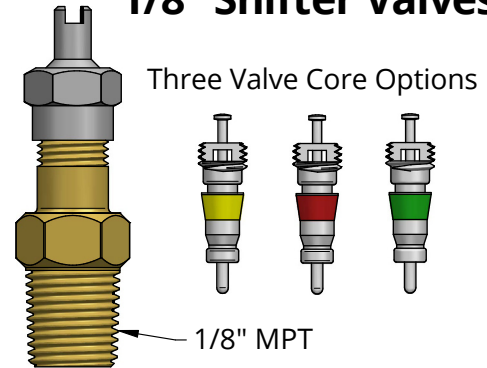
[boshart.com](http://boshart.com) ♦ [blog.boshart.com](http://blog.boshart.com)

## VALVE CORE & CAP OPTIONS:

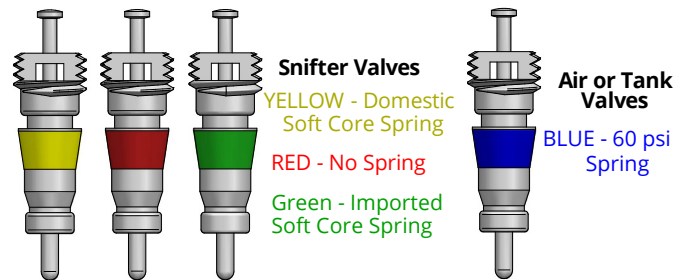
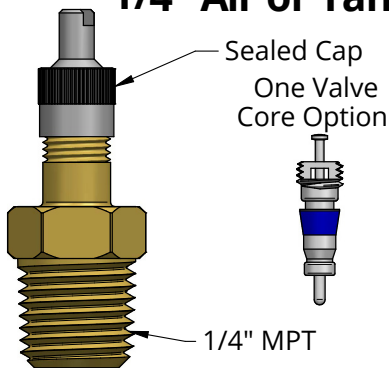
### 1/4" Snifter Valves



### 1/8" Snifter Valves

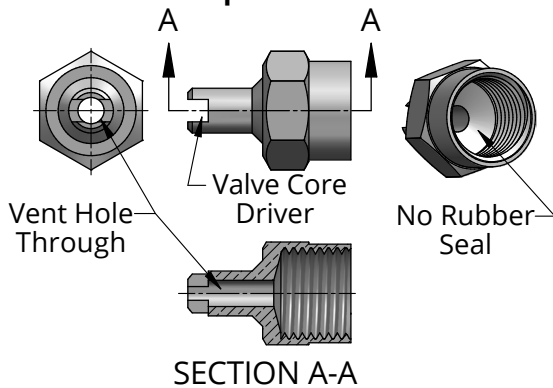


### 1/4" Air or Tank Valves

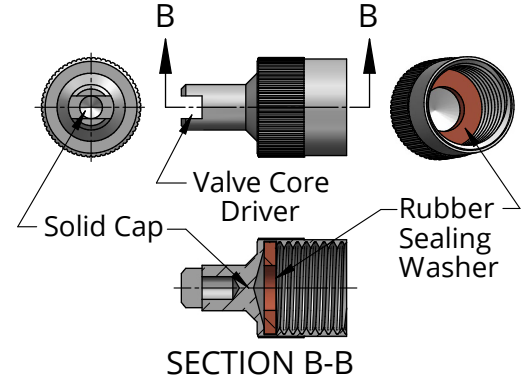


## CAPS:

### SV-CAP-MV Copper/Zinc Alloy Cap - Vented



### SV-CAP-M Copper/Zinc Alloy Cap with Rubber Seal



For more information on installation, adjustment, repair & operation, visit Boshart Knowledge Base at [SUPPORT.BOSHART.COM](http://SUPPORT.BOSHART.COM)



# BOSHART

INDUSTRIES

25 Whaley Avenue, PO Box 310, Milverton, ON CANADA N0K 1M0  
Tel: 800-561-3164

[boshart.com](http://boshart.com) ♦ [blog.boshart.com](http://blog.boshart.com)