

# AVC45 & AVC100 NON-REPAIRABLE AIR VOLUME CONTROLS

## OVERVIEW:

Air volume controls are designed to automatically maintain the correct ratio of air and water in your water hydropneumatic pressure tank, to prevent the tank from becoming waterlogged. The proper balance of air to water reduces the cycling frequency of your pump whether it be a Jet, Centrifugal or Rotary Type Pump. Longer "run" times for your pump will increase the life expectancy of your pump.

**Part #:** **AVC45** for hydropneumatics tanks up to 42 gallons.

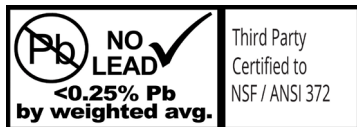
**Part #:** **AVC100** for hydropneumatic tanks up to 120 gallons

## SPECIFICATIONS:

- Zinc Plated Steel Construction
- 7/16"- 24 UNF Thread Compression Connection for 1/4" OD Tubing
- Buna-N Diaphragm and Air Release Valve
- Built-in Ball Check Valve
- Individually boxed

## CERTIFICATIONS:

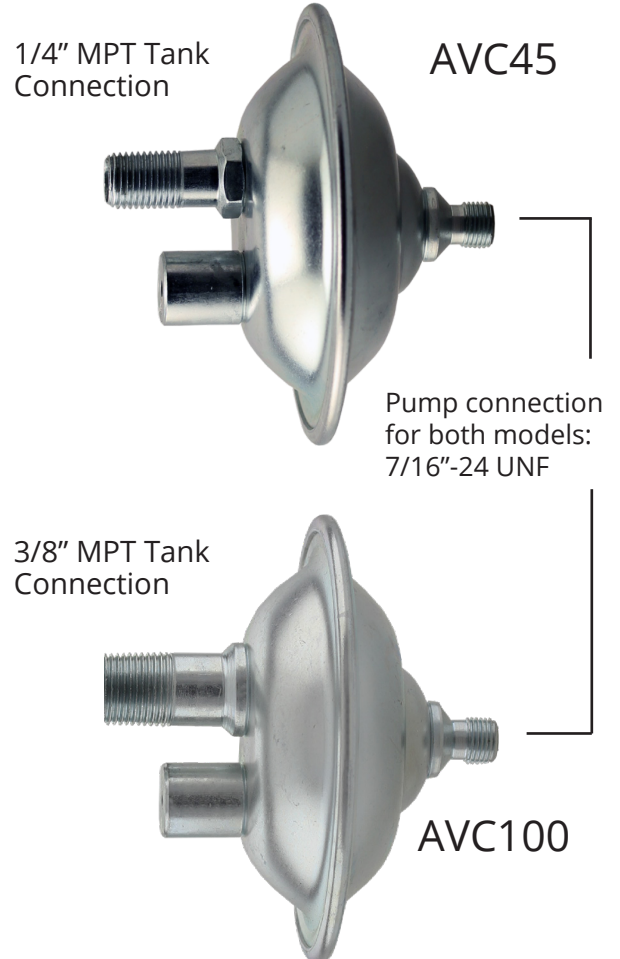
- No-Lead Certified to NSF/ANSI 372



## MAXIMUM TEMP/PRESSURE RATING:

- Max. Temp. 140°F (60°C)
- Max Pressure 150 PSI (1034 kPa)

\*Do not exceed the maximum pressure rating of the pressure tank.



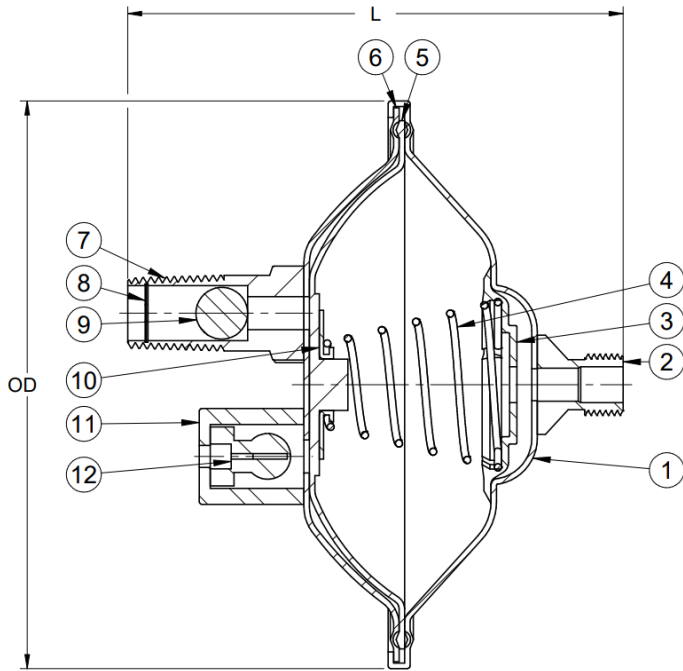
**BOSHART**  
**INDUSTRIES**

© 2020 Boshart Industries Inc. All Rights Reserved.

25 Whaley Avenue, PO Box 310, Milverton, ON CANADA N0K 1M0  
Tel: 800-561-3164

[boshart.com](http://boshart.com) ♦ [blog.boshart.com](http://blog.boshart.com)

BII-AVC45,100-0524(3108)



DIMENSIONS / WEIGHT			
	OD	L	W
AVC45	4"	3.54"	0.54 lb
AVC100	4"	3.70"	0.58 lb

MATERIAL LIST			
Item Number	Component Name	Quantity	Material
1	Pump End Cover	1	Zinc Plated Steel (08f)
2	7/16"- 24 UNF Thread Compression Connection for 1/4" OD Vacuum Tube	1	Zinc Plated Steel (Q235A)
3	Spring Seat Lrg	1	Polypropylene
4	Conical Spring	1	Bronze Qsn6 5-01
5	Seal	1	Rubber CH63432
6	Tank End Cover	1	Zinc Plated Steel (08f)
7	AVC45-1/4" MPT tank connection	1	Zinc Plated Steel (Q235A)
	AVC100- 3/8" MPT tank connection		
8	Retainer Ring	1	Stainless Steel, 302
9	Tank Ball	1	Rubber CH92232
10	Spring Seat	1	Brass (H59-1)
11	Air Valve Seat	1	Zinc Plated Steel (Q235A)
12	Rubber Valve	1	Ethylene propylene diene monomer

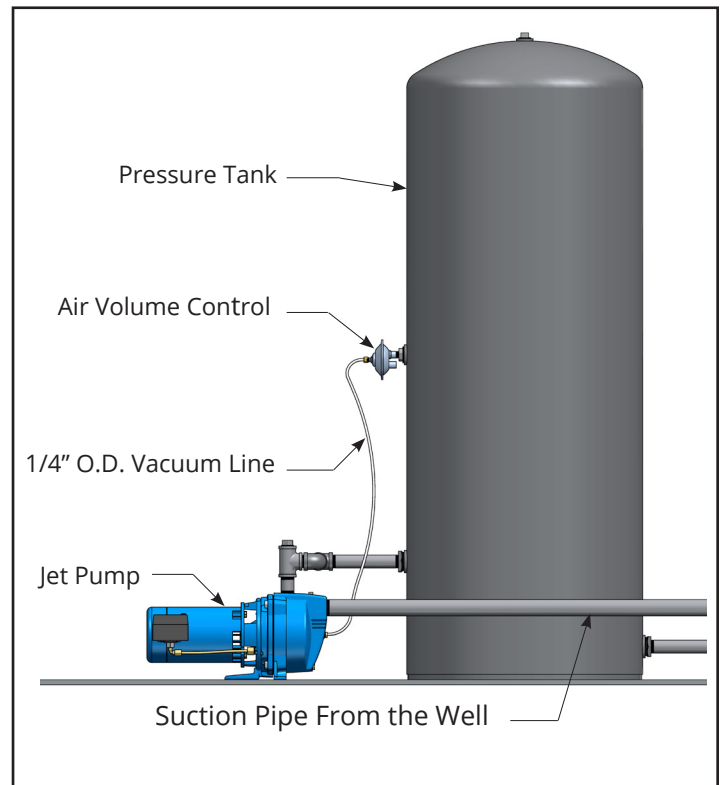
## Minimum Recommended Run Time For Pump

The chart is to be used as a guide only. Always verify minimum run times with the Pump Manufacturer for pump model.

Pumps up to 3/4 HP	1 Minute
Pumps 1 To 2 HP	2 Minutes
Pumps Over 2 HP	3 Minutes

### Installation:

1. Ensure the water system is leak free, the AVC will not add enough air to compensate for any leaks in the system.
2. The control should be installed in the accessory port above and closest to the discharge port (approximately halfway up the tank). Reduce the tank port using a bushing to the required 1/4" MPT or 3/8" MPT AVC tank connection size.
3. Connect the 1/4" O.D. vacuum line (plastic tubing) between the 7/16"-24 UNF tank connection and the suction port on the pump using a BC-61-04 1/4" Brass Comp. Nut, BC-60P-04 1/4" Plastic (Acetal) Comp. Sleeve and a BC-61P-04NL Insert (Stiffener). Make sure the tubing is not kinked or blocked.



Caution: Do NOT overtighten. Overtightening could strip the threads.



BC-61-04



BC-60P-04



BC-61P-04NL

For more information on installation, adjustment, repair & operation, visit Boshart Knowledge Base at

[SUPPORT.BOSHART.COM](http://SUPPORT.BOSHART.COM)



**BOSHART**  
INDUSTRIES

25 Whaley Avenue, PO Box 310, Milverton, ON CANADA N0K 1M0  
Tel: 800-561-3164

[boshart.com](http://boshart.com) ♦ [blog.boshart.com](http://blog.boshart.com)