

# 0825CNL SERIES - NO LEAD FORGED FULL PORT BRASS BALL VALVE (CxC)

## FEATURES:

- Full port
- Forged brass body
- Blow-out proof stem

## SPECIFICATION:

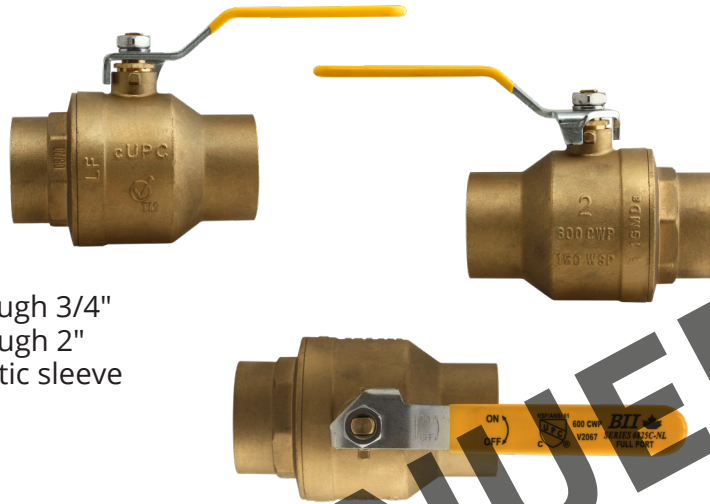
- Solder ends comply with ANSI B16.18
- Solid Stainless Steel Ball - sizes 1/2" through 3/4"
- Hollow Stainless Steel Ball - sizes 1" through 2"
- Zinc plated steel handle with yellow plastic sleeve

## CERTIFICATION:

- NSF/ANSI Standard 61 & 372 Certified
- cUPC Standard IGC 157 Certified

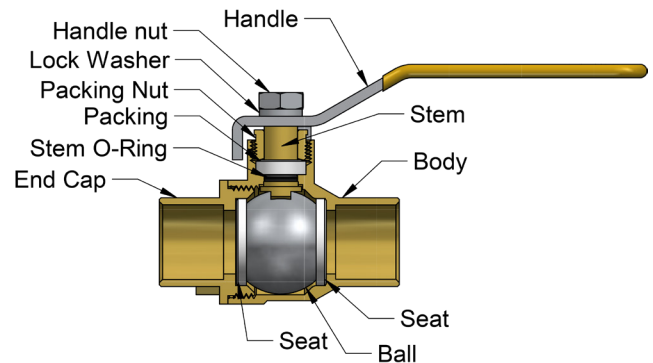
## RATINGS:

- Temperature Range: -20 to 300°F (-28 to 149°C)
- Rated 600 PSI CWP - Cold Working Pressure is an indication of the pressure rating for valves at a temperature range of up to +100°F (37°C)
- WSP (Working Steam Pressure) Rating: 150 PSI Saturated Steam



MATERIAL LIST	
Part Name	Material
Body / End Cap	C46500 No Lead Brass
Ball	SS304 Stainless Steel
Seal seat	PTFE
Stem	C37700 Brass
Packing	PTFE
Packing nut	C37700 Brass
Stem O-ring	EPDM
Handle+sleeve	Zinc Plated Steel + PVC
Washer	SS201 Stainless Steel
Handle Nut	SS201 Stainless Steel

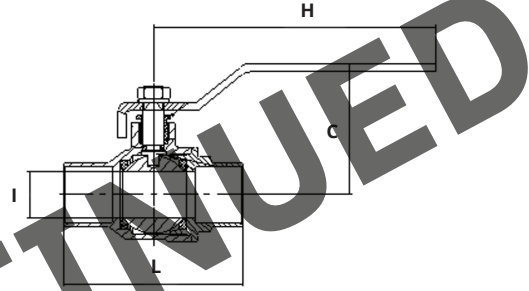
## PRESSURE & TEMPERATURE RATING:



**BOSHART**  
INDUSTRIES

25 Whaley Avenue, PO Box 310, Milverton, ON CANADA N0K 1M0  
Tel: 800-561-3164

[boshart.com](http://boshart.com) ♦ [blog.boshart.com](http://blog.boshart.com)

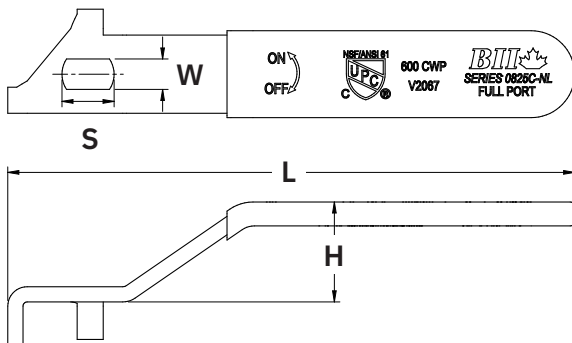


DIMENSIONS										
Part No.	Size (C x C)	I		C		L		H		Weight grams
		inches	mm	inches	mm	inches	mm	inches	mm	
0825C-05NL	1/2"	0.59	14.99	1.78	45.21	2.01	51.05	3.78	96.01	150
0825C-07NL	3/4"	0.79	19.99	2.13	54.10	2.74	69.60	3.98	101.09	260
0825C-10NL	1"	0.98	24.99	2.52	64.01	3.35	85.09	4.41	112.01	470
0825C-12NL	1-1/4"	1.26	32.00	2.65	67.31	3.78	96.01	5.04	128.02	670
0825C-15NL	1-1/2"	1.58	40.01	3.12	79.25	4.42	112.27	6.22	157.99	1070
0825C-20NL	2"	1.97	50.01	3.41	86.61	5.34	135.64	6.22	157.99	1630

## REPLACEMENT HANDLES:

- Each kit, including one handle, one nut, and one washer, is individually packaged in a bag

REPLACEMENT HANDLES												
Valve Part No.	Size (C x C)	Replacment Handle Kit Part No.	L		H		S		W		SS Locknut Thread	SS Split Lock Washer
			in	mm	in	mm	in	mm	in	mm		
0825C-05NL	1/2"	RP0825CNL-LH1V2067	4.47	113.52	0.89	22.61	0.32	8.13	0.20	5.08	M6 x 1	M6
0825C-07NL	3/4"	RP0825CNL-LH2V2067	4.68	118.87	0.86	21.84	0.32	8.13	0.20	5.08	M8 x 1.25	M8
0825C-10NL	1"	RP0825CNL-LH3V2067	5.14	130.56	0.91	23.11	0.47	11.94	0.28	7.11	M10 x 1.5	M10
0825C-12NL	1-1/4"	RP0825CNL-LH4V2067	5.77	146.56	0.95	24.13	0.47	11.94	0.28	7.11	M10 x 1.5	M10
0825C-15NL	1-1/2"	RP0825CNL-LH5V2067	6.97	177.04	1.18	29.97	0.55	13.97	0.32	8.13	M12 x 1.75	M12
0825C-20NL	2"											



For more information on installation, adjustment, repair & operation, visit Boshart Knowledge Base at

SUPPORT.BOSHART.COM



**BOSHART**  
INDUSTRIES

25 Whaley Avenue, PO Box 310, Milverton, ON CANADA N0K 1M0  
Tel: 800-561-3164

boshart.com ♦ blog.boshart.com

# 0825NL SERIES - NO LEAD FORGED FULL PORT BRASS BALL VALVE (THREADED)

## FEATURES:

- Full port
- Forged brass body
- Blow-out proof stem

## SPECIFICATION:

- Threads conform to ANSI / ASME B1.20.1
- Solid Stainless Steel Ball - sizes 1/4" through 3/4"
- Hollow Stainless Steel Ball - sizes 1" through 2"
- Zinc plated steel handle with yellow plastic sleeve

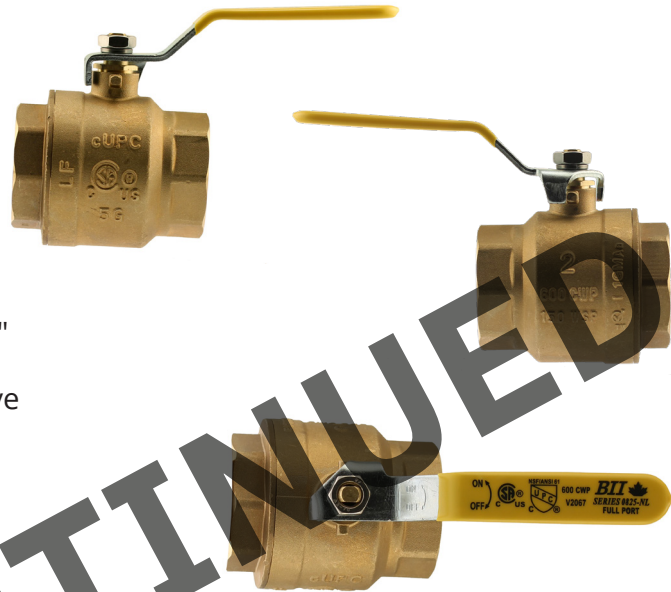
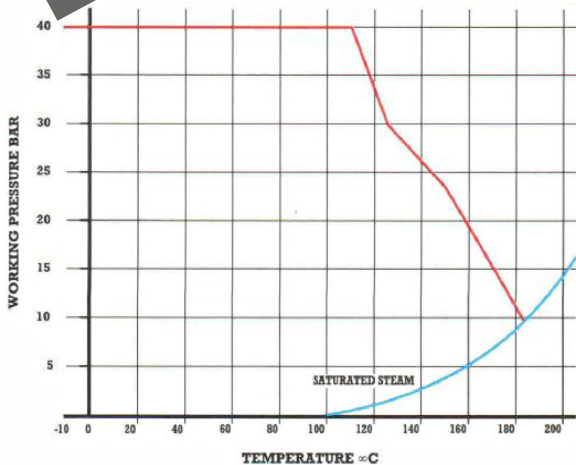
## CERTIFICATION:

- NSF/ANSI Standard 61 & 372 Certified
- cUPC Standard IGC 157 Certified
- CSA listed to the following standards
  - ASME B16.44 & CGA/CR91-002: 5 PSIG (5G)

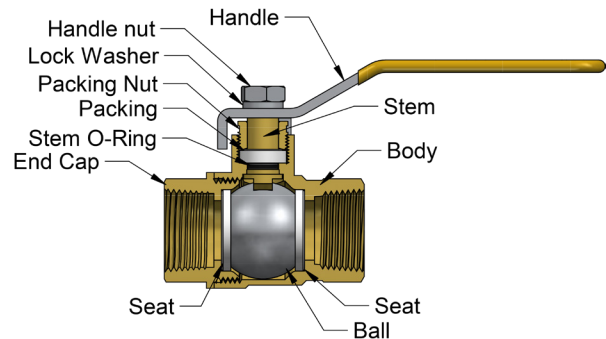
## RATINGS:

- Working Temperature: -20° to 300°F (-28° to 149°C)
- Rated 600 PSI CWP Cold Working Pressure is an indication of the pressure rating for valves at a temperature range of up to +100°F (37°C)
- WSP (Working Steam Pressure) Rating: 150 PSI Saturated Steam

## PRESSURE & TEMPERATURE RATING:



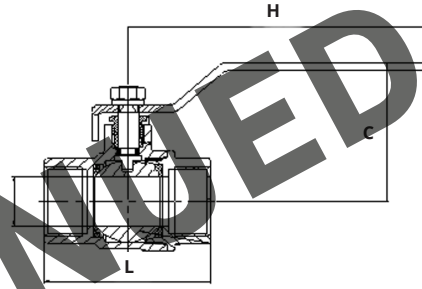
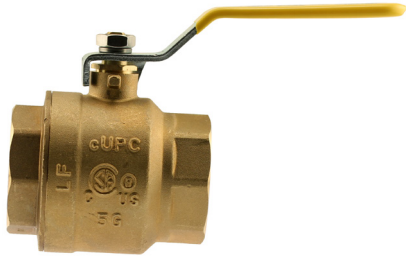
MATERIAL LIST	
Part Name	Material
Body / End Cap	C46500 NL Brass
Ball	SS304 Stainless Steel
Seal seat	PTFE
Stem	C37700 Brass
Packing	PTFE
Packing nut	C37700 Brass
O-ring	EPDM
Handle+sleeve	Zinc Plated Steel + PVC
Washer	SS201 Stainless Steel
Handle Nut	SS201 Stainless Steel



**BOSHART**  
INDUSTRIES

25 Whaley Avenue, PO Box 310, Milverton, ON CANADA N0K 1M0  
Tel: 800-561-3164

[boshart.com](http://boshart.com) ♦ [blog.boshart.com](http://blog.boshart.com)

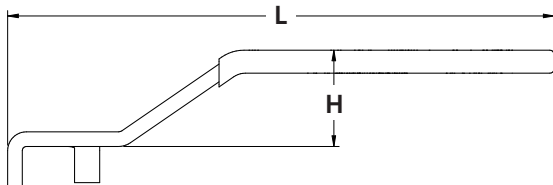
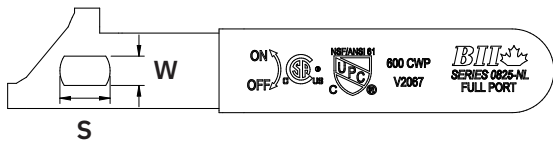


DIMENSIONS										
Part No.	Size (FPT)	I		C		L		H		Weight grams
		inches	mm	inches	mm	inches	mm	inches	mm	
0825-02NL	1/4"	0.39	10.01	1.58	40.13	1.73	43.94	3.55	90.17	130
0825-03NL	3/8"	0.39	10.01	1.58	40.13	1.75	44.45	3.78	96.01	130
0825-05NL	1/2"	0.59	14.99	1.78	45.21	2.15	54.61	3.78	96.01	180
0825-07NL	3/4"	0.79	19.99	2.13	54.10	2.48	62.99	3.98	101.09	280
0825-10NL	1"	0.98	24.99	2.52	64.01	3.07	77.98	4.41	112.01	500
0825-12NL	1-1/4"	1.26	32.00	2.65	67.31	3.44	87.38	5.04	128.02	700
0825-15NL	1-1/2"	1.58	40.01	3.12	79.25	3.79	96.27	6.22	157.99	1080
0825-20NL	2"	1.97	50.01	3.41	86.61	4.35	110.49	6.22	157.99	1590

### REPLACEMENT HANDLES:

■ Each kit ,including one handle, one nut, and one washer, is individually packaged in a bag

REPLACEMENT HANDLES												
Valve Part No.	Size (FPT)	Replacment Handle Kit Part No.	L		H		S		W		SS Locknut Thread	SS Split Lock Washer
			in	mm	in	mm	in	mm	in	mm		
0825-02NL	1/4"	RP0825NL-LH1V2067	4.47	113.52	0.89	22.61	0.32	8.13	0.20	5.08	M6 x 1	M6
0825-03NL	3/8"											
0825-05NL	1/2"											
0825-07NL	3/4"	RP0825NL-LH2V2067	4.68	118.87	0.86	21.84	0.32	8.13	0.20	5.08	M8 x 1.25	M8
0825-10NL	1"	RP0825NL-LH3V2067	5.14	130.56	0.91	23.11	0.47	11.94	0.28	7.11	M10 x 1.5	M10
0825-12NL	1-1/4"	RP0825NL-LH4V2067	5.77	146.56	0.95	24.13	0.47	11.94	0.28	7.11	M10 x 1.5	M10
0825-15NL	1-1/2"	RP0825NL-LH5V2067	6.97	177.04	1.18	29.97	0.55	13.97	0.32	8.13	M12 x 1.75	M12
0825-20NL	2"											



For more information on installation, adjustment, repair & operation, visit Boshart Knowledge Base at [SUPPORT.BOSHART.COM](http://SUPPORT.BOSHART.COM)



25 Whaley Avenue, PO Box 310, Milverton, ON CANADA N0K 1M0  
Tel: 800-561-3164

[boshart.com](http://boshart.com) ♦ [blog.boshart.com](http://blog.boshart.com)