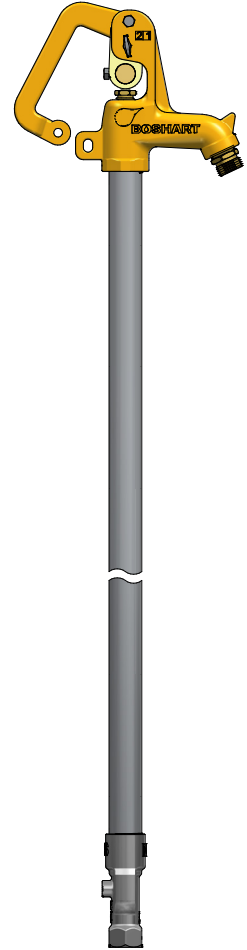


YHSS SERIES STAINLESS STEEL YARD HYDRANTS

FEATURES:

- Stainless steel valve body, stand pipe, connection rod, coupling and operating rod for superior corrosion resistance.
- Heavy duty head with bucket hook and removable 3/4" GHT connector.
- Large heavy duty handle has longer hand grip for comfortable operation.
- The handle can be secured in any position to regulate flow using a stainless steel thumb bolt.
- Security lock feature allows for installation of a padlock to secure handle in the closed position.
- Polished operating rod reduces wear on the stem packing and provides maximum corrosion resistance.
- Double O-ring sealing system provides a positive seal between the hydrant head and operating rod. The O-rings are easy to replace, offering a significant advantage over yard hydrants that use stem packing, which is difficult to remove and clean from the head casting.
- One piece zinc-plated pivot connector complete with a square head set screw allows for easy adjustment of the linkage.
- Double zinc-plated draw straps provide excellent corrosion resistance and smooth operation, with very limited play in the linkage.
- Stainless steel valve body offers superior flow rates, and a self-draining bleeder port (tapped 1/8 FPT) prevents the riser pipe and valve head from freezing.
- A 7/8" diameter self-lubricating plunger prolongs life expectancy and can be easily replaced from the surface—NO DIGGING required.



SPECIFICATION / RATINGS:

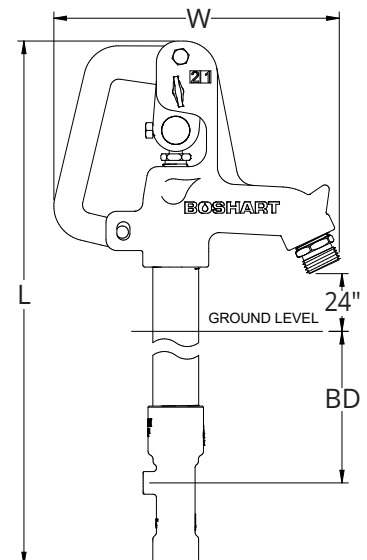
- 3/4" FPT inlet connection
- 3/4" GHT outlet connection
- 7/8" diameter NBR rubber plunger with S.S. core
- 304 S.S. operating rod and hex coupling
- 1" Sch. 40S 304 S.S. stand pipe
- 3/8" 304 S.S. connecting rod

Flow Rate GPM @ PSI	
GPM	PSI
16.9	10
25	20
30.9	30
36	40
41	50
44.2	60
48.3	70
52	80

RATINGS / CERTIFICATIONS:

- Max Pressure: 125 PSI
- Max Temperature: 120°F (48°C)
- NSF/ANSI Standard 372 Certified (Drinking Water System Components - Lead Content)

Part No.	DIMENSIONS							
	Bury Depth(BD)		Length (L)		Width (W)		Weight	
	Feet	m	inches	m	inches	mm	lbs	kgs
YHSS-01	1'	0.30	45.0	1.14	8.184	207.9	12.16	5.52
YHSS-015	1.5'	0.46	51.0	1.30	8.184	207.9	13.21	5.99
YHSS-02	2'	0.61	57.0	1.45	8.184	207.9	14.26	6.47
YHSS-03	3'	0.91	69.0	1.75	8.184	207.9	16.35	7.42
YHSS-04	4'	1.22	81.0	2.06	8.184	207.9	18.45	8.37
YHSS-05	5'	1.52	93.0	2.36	8.184	207.9	20.54	9.32
YHSS-06	6'	1.83	105.0	2.67	8.184	207.9	22.64	10.27
YHSS-07	7'	2.13	117.0	2.97	8.184	207.9	24.74	11.22
YHSS-08	8'	2.44	129.0	3.28	8.184	207.9	26.83	12.17
YHSS-10	10'	3.05	153.0	3.89	8.184	207.9	31.03	14.07

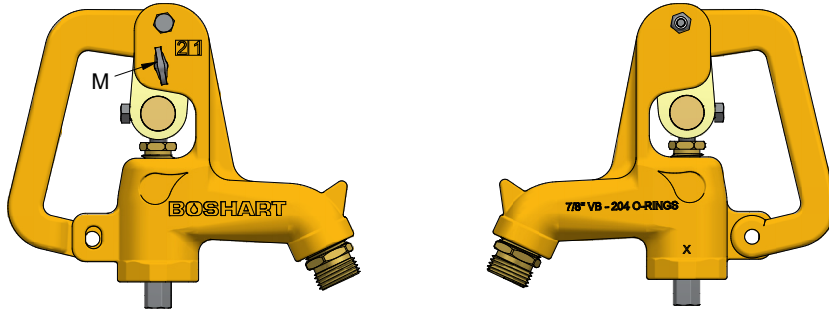


BOSHART
INDUSTRIES

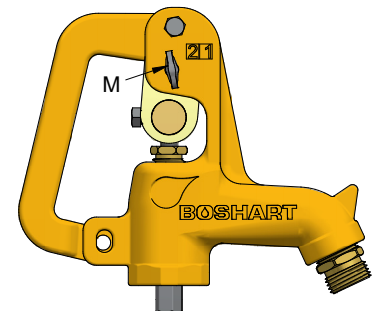
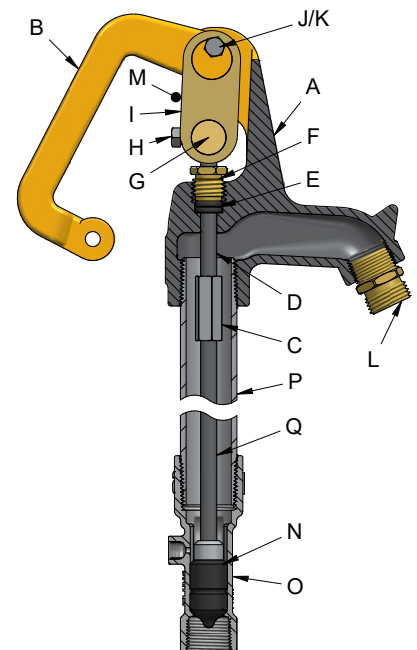
25 Whaley Avenue, PO Box 310, Milverton, ON CANADA N0K 1M0
Tel: 800-561-3164

boshart.com ♦ blog.boshart.com

YHSS SERIES STAINLESS STEEL YARD HYDRANTS



YHSS Series Parts List			
Part Number	Description	Material	Item Ref.
13YH-H01-BOSHART	Heavy Duty Head Casting - Gold	ASTM A48-Class 30 Cast Iron	A
13YH-H02-BOSHART	Heavy Duty Handle - Gold	ASTM A48-Class 30 Cast Iron	B
13YH-H03SS-1.5	3/8"-16NC S.S. Hex Coupling	304 Stainless Steel	C
13YH-H04	3/8" x 4.42" Polished S.S. Operating Rod	304 Stainless Steel	D
13YH-H05	AS568-204 Buna-N O-Rings (Qty-2 Req'd)	NBR	E
13YH-H06	3/4" Hex 3/4"-10UNC Brass Packing Nut	C3604 Brass	F
13YH-H07	1" Dia. Zinc-Plated Steel Pivot Connector	Zinc-Plated Steel	G
13YH-H08	5/16"-18UNC x3/4" S.S. Square Head Set Screw	18.8 Stainless Steel	H
13YH-H09	Zinc-Plated Draw Straps (Qty. 2 Req'd)	Zinc-Plated Steel	I
13YH-H10/11	1/4-20UNC S.S. Handle Bolt and Lock Nut	18.8 Stainless Steel	J/K
13YH-H12	3/4" MPT x 3/4" GHT Brass Hose Bibb Adapter	C3604 Brass	L
13YH-H13	5/16-18UNC x 3/4" 18.8 S.S. Thumb Bolt	18.8 Stainless Steel	M
13YH-P875-SS	Rubber Plunger on S.S. Core - 3/8-16UNC Connection	NBR / 303 Stainless Steel	N
13YH-VB07-875SS	3/4" Connection S.S. Valve Body 7/8" Bore	304 Stainless Steel	O
13YH-SS10T-XXX	1" ASTM A312 Sch. 40S Stand Pipe	304 Stainless Steel	P
13YH-RSS-XXX	3/8" Dia. S.S. Connection Rod - T.B.E. 3/8"-16UNC	304 Stainless Steel	Q
Head Assembly Kit			
13YH-HA-BOSHART	Head Assembly Kit - Gold Head		
Kit Includes: 13YH-H01-BOSHART, 13YH-H02-BOSHART, 13YH-H03SS-1.5, 13YH-H04, 13YH-H05, 13YH-H06, 13YH-H07, 13YH-H08, 13YH-H09, 13YH-H10/11, 13YH-H12 & 13YH-H13			
Repair Parts Kit			
13YH-RK875	Repair Kit for YHBR and YHSS Series "BOSHART" logo Yard Hydrants		
Kit Includes: 13YH-P875-SS, 13YH-H05, 13YH-H06, 13YH-H07, 13YH-H08 & 13YH-H09			



Head Assembly Kit



Repair Parts Kit

BOSHART
INDUSTRIES

25 Whaley Avenue, PO Box 310, Milverton, ON CANADA N0K 1M0
Tel: 800-561-3164

boshart.com ♦ blog.boshart.com

© 2020 Boshart Industries Inc. All Rights Reserved.

BII-YHSS-1124(131YH) V5