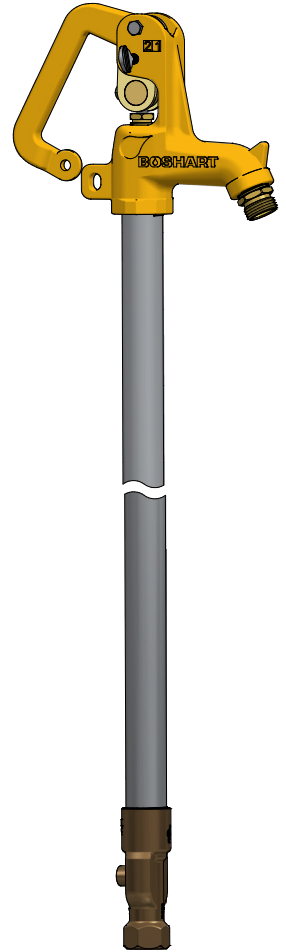


# YHBR SERIES NO LEAD BRONZE YARD HYDRANTS

## FEATURES:

- Heavy duty head with bucket hook and removable 3/4" GHT connector.
- Large heavy duty handle has longer hand grip for comfortable operation.
- The handle can be secured in any position to regulate flow using a stainless steel thumb bolt.
- Security lock feature allows for installation of a padlock to secure handle in the closed position.
- Polished operating rod reduces wear on the stem packing and provides maximum corrosion resistance.
- Double O-ring sealing system provides a positive seal between the hydrant head and operating rod. The O-rings are easy to replace, offering a significant advantage over yard hydrants that use stem packing, which is difficult to remove and clean from the head casting.
- One piece zinc-plated pivot connector complete with a square head set screw allows for easy adjustment of the linkage.
- Double zinc-plated draw straps provide excellent corrosion resistance and smooth operation, with very limited play in the linkage.
- Valve body offers superior flow rates, and a self-draining bleeder port (tapped 1/8 FPT) prevents the riser pipe and valve head from freezing.
- A 7/8" diameter self-lubricating plunger prolongs life expectancy and can be easily replaced from the surface - NO DIGGING required.



## SPECIFICATION / RATINGS:

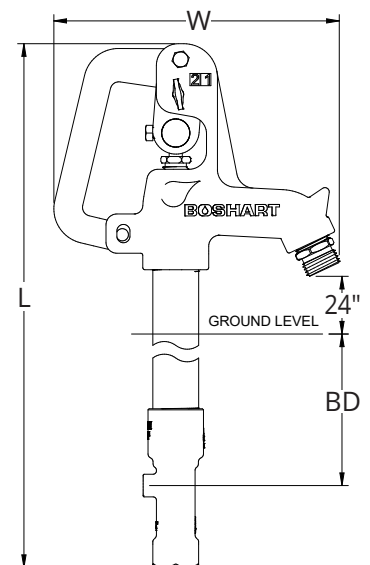
- 3/4" FPT inlet connection
- 3/4" GHT outlet connection
- 7/8" diameter NBR rubber plunger with S.S. core
- 304 S.S. operating rod and hex coupling
- 1" Sch. 40 galvanized stand pipe
- 3/8" zinc-plated steel connecting rod

Flow Rate GPM @ PSI	
GPM	PSI
16.9	10
25	20
30.9	30
36	40
41	50
44.2	60
48.3	70
52	80

## RATINGS / CERTIFICATIONS:

- Max Pressure: 125 PSI
- Max Temperature: 120°F (48°C)
- NSF/ANSI Standard 372 Certified (Drinking Water)
- System Components - Lead Content

Part No.	DIMENSIONS							
	Bury Depth(BD)		Length (L)		Width (W)		Weight	
	Feet	m	inches	m	inches	mm	lbs	kgs
YHBR-01	1'	0.30	45.0	1.14	8.184	207.9	12.09	5.48
YHBR-015	1.5'	0.46	51.0	1.30	8.184	207.9	13.11	5.95
YHBR-02	2'	0.61	57.0	1.45	8.184	207.9	14.13	6.41
YHBR-03	3'	0.91	69.0	1.75	8.184	207.9	16.18	7.34
YHBR-04	4'	1.22	81.0	2.06	8.184	207.9	18.23	8.27
YHBR-05	5'	1.52	93.0	2.36	8.184	207.9	20.27	9.20
YHBR-06	6'	1.83	105.0	2.67	8.184	207.9	22.32	10.12
YHBR-07	7'	2.13	117.0	2.97	8.184	207.9	24.36	11.05
YHBR-08	8'	2.44	129.0	3.28	8.184	207.9	26.41	11.98
YHBR-10	10'	3.05	153.0	3.89	8.184	207.9	30.50	13.84
YHBR-13	13'	3.96	189.0	4.80	8.184	207.9	36.64	16.62

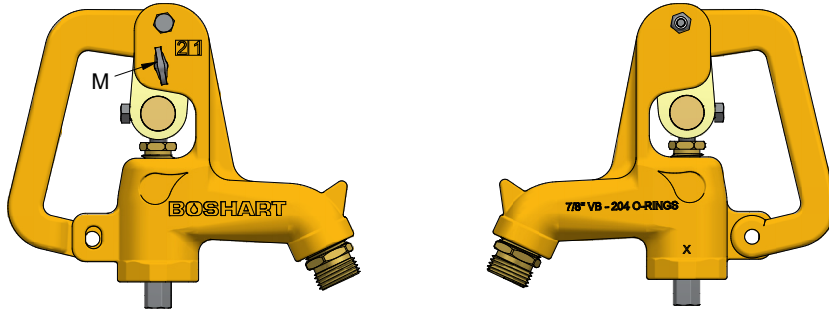


**BOSHART**  
INDUSTRIES

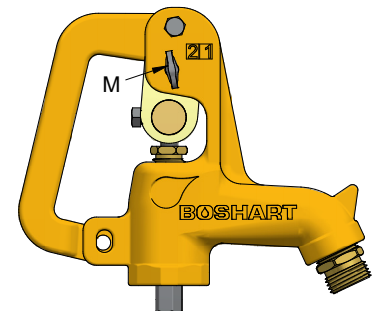
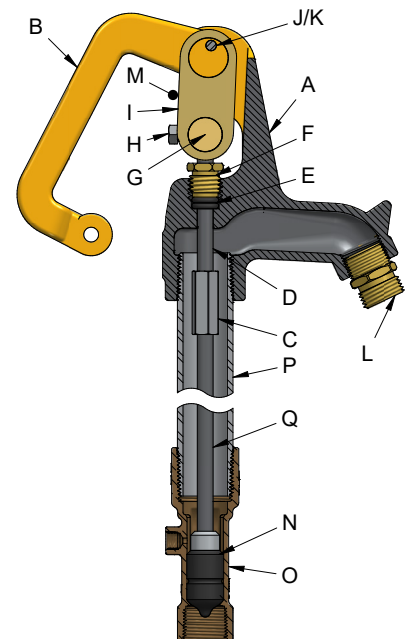
25 Whaley Avenue, PO Box 310, Milverton, ON CANADA N0K 1M0  
Tel: 800-561-3164

[boshart.com](http://boshart.com) ♦ [blog.boshart.com](http://blog.boshart.com)

# YHBR SERIES NO LEAD BRONZE YARD HYDRANTS



YHBR Series Parts List			
Part Number	Description	Material	Item Ref.
13YH-H01-BOSHART	Heavy Duty Head Casting - Gold	ASTM A48-Class 30 Cast Iron	A
13YH-H02-BOSHART	Heavy Duty Handle - Gold	ASTM A48-Class 30 Cast Iron	B
13YH-H03SS-1.5	3/8"-16NC S.S. Hex Coupling	304 Stainless Steel	C
13YH-H04	3/8" x 4.42" Polished S.S. Operating Rod	304 Stainless Steel	D
13YH-H05	AS568-204 Buna-N O-Rings (Qty-2 Req'd)	NBR	E
13YH-H06	3/4" Hex 3/4"-10UNC Brass Packing Nut	C3604 Brass	F
13YH-H07	1" Dia. Zinc-Plated Steel Pivot Connector	Zinc-Plated Steel	G
13YH-H08	5/16"-18UNC x3/4" S.S. Square Head Set Screw	18.8 Stainless Steel	H
13YH-H09	Zinc-Plated Draw Straps (Qty. 2 Req'd)	Zinc-Plated Steel	I
13YH-H10/11	1/4"-20UNC S.S. Handle Bolt and Lock Nut	18.8 Stainless Steel	J/K
13YH-H12	3/4" MPT x 3/4" GHT Brass Hose Bibb Adapter	C3604 Brass	L
13YH-H13	5/16"-18UNC x 3/4" 18.8 SS Thumb Bolt	18.8 Stainless Steel	M
13YH-P875-SS	Rubber Plunger on S.S. Core - 3/8"-16UNC Connection	NBR / 303 Stainless Steel	N
13YH-VB07-875BR	3/4" Connection NL Bronze Valve Body 7/8" Bore	C89833 NL Bronze	O
13YH-GP10T-XXX	1" ASTM A53 Sch. 40 Stand Pipe	Galvanized Steel	P
13YH-R-XXX	3/8" Dia. Connection Rod - T.B.E. 3/8"-16UNC	Zinc Plated Steel	Q
<b>Head Assembly Kit</b>			
13YH-HA-BOSHART	Head Assembly Kit - Gold Head		
Kit Includes: 13YH-H01-BOSHART, 13YH-H02-BOSHART, 13YH-H03SS-1.5, 13YH-H04, 13YH-H05, 13YH-H06, 13YH-H07, 13YH-H08, 13YH-H09, 13YH-H10/11, 13YH-H12 & 13YH-H13			
<b>Repair Parts Kit</b>			
13YH-RK875	Repair Kit for YHBR and YHSS Series "BOSHART" logo Yard Hydrants		
Kit Includes: 13YH-P875-SS, 13YH-H05, 13YH-H06, 13YH-H07, 13YH-H08 & 13YH-H09			



Head Assembly Kit



Repair Parts Kit

**BOSHART**  
**INDUSTRIES**

25 Whaley Avenue, PO Box 310, Milverton, ON CANADA N0K 1M0  
Tel: 800-561-3164

[boshart.com](http://boshart.com) ♦ [blog.boshart.com](http://blog.boshart.com)

© 2020 Boshart Industries Inc. All Rights Reserved.

BII-YHBR-1124(131YH) V5