

19-PR716 & 19-RC720 SERIES PUMP RODS AND ROD COUPLINGS

APPLICATIONS:

- To provide a connecting rod between the drive unit at the surface (deep well hand pump or windmill pump jack) and the well cylinder installed down in the well. Used with shallow or deep well cylinders.
- In applications where the pump rod and rod coupling will be subjected to high weight holding loads, it is the sole responsibility of the system designer to determine the required rod diameter and length of thread engagement. Typically, the linear thread engagement must be a minimum of one rod diameter. With this thread engagement the rod should theoretically break before the threads strip.

FEATURES:

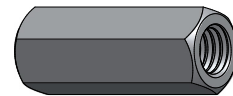
- Solid steel rod with zinc plated finish
- Threaded both ends and supplied with hex rod coupling on one end
- Packaged with ten 21 foot lengths per bundle

SPECIFICATIONS:

- Rod couplings conform to the dimensional specifications provided by ASME B18.2.2
- Rod Coupling Primary Material: C-1213 No Lead Zinc Plated Steel, straight UNC threads on both ends.
- Rod Primary Material: 1018 No lead Zinc Plated Steel.
- Lead Content <0.25% Pb

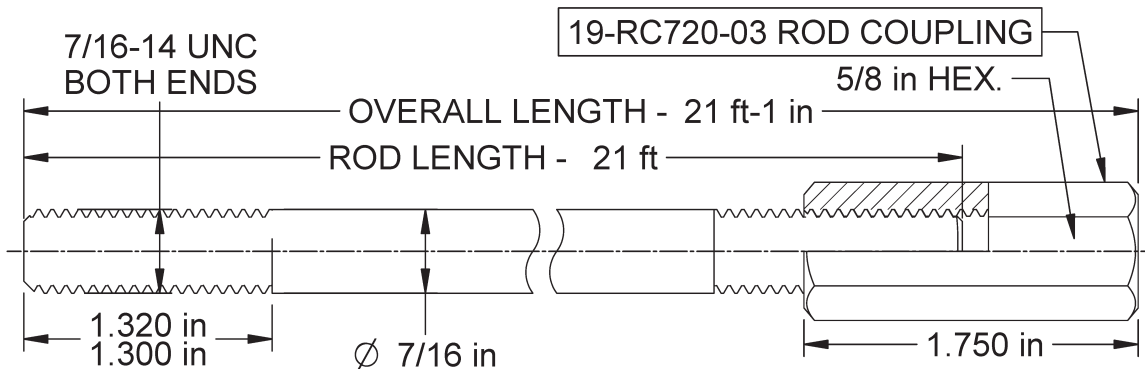


19-PR716



19-RC720-03

PUMP RODS:



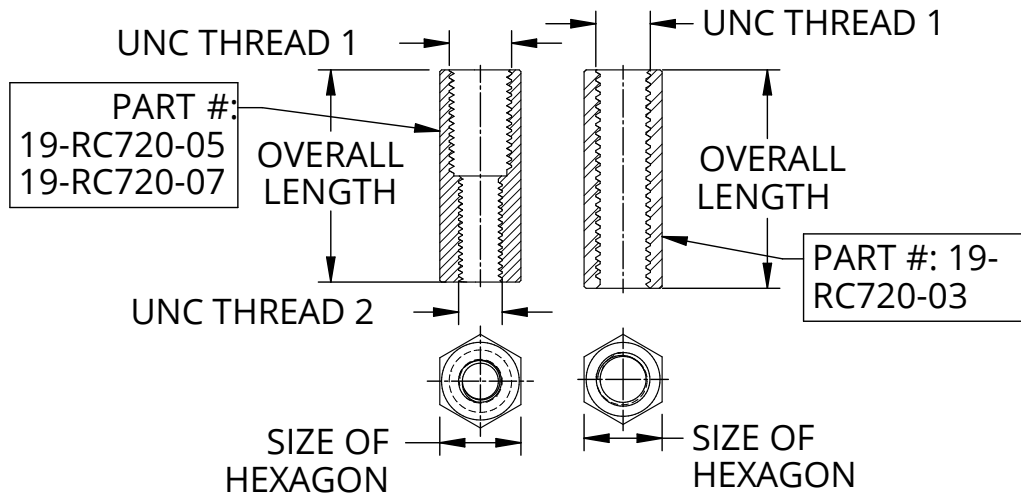
DIMENSIONS					
Part No.	Description	Length per Piece (ft)	Overall Length with Coupling	Pieces per Bundle	Weight per Bundle (lbs)
19-PR716	7/16"-14 UNC Male x 1.3" Long Thread on Both Ends	21.0	21 ft-1 inch	10	110

BOSHART
INDUSTRIES

25 Whaley Avenue, PO Box 310, Milverton, ON CANADA N0K 1M0
Tel: 800-561-3164

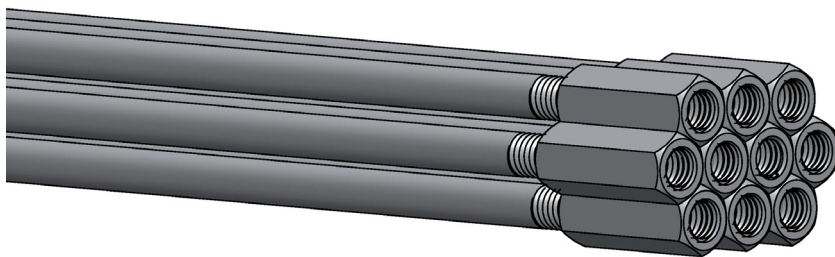
boshart.com ♦ blog.boshart.com

ROD COUPLINGS:



DIMENSIONS								
Part No.	Size of Hexagon		Overall Length		UNC Thread 1	UNC Thread 2	Weight	
	in	mm	in	mm			lbs	grams
19-RC720-03	5/8"	15.9	1.75	44.45	7/16-14 UNC	7/16-14 UNC	0.102	46.3
19-RC720-05	11/16"	17.5	1.75	44.45	1/2-13 UNC	7/16-14 UNC	0.118	53.5
19-RC720-07	13/16"	20.6	1.875	47.63	5/8-11 UNC	7/16-14 UNC	0.195	88.5

BUNDLE PACKAGING:



For more information on installation, adjustment, repair & operation, visit Boshart Knowledge Base at SUPPORT.BOSHART.COM



25 Whaley Avenue, PO Box 310, Milverton, ON CANADA N0K 1M0
Tel: 800-561-3164

boshart.com ♦ blog.boshart.com