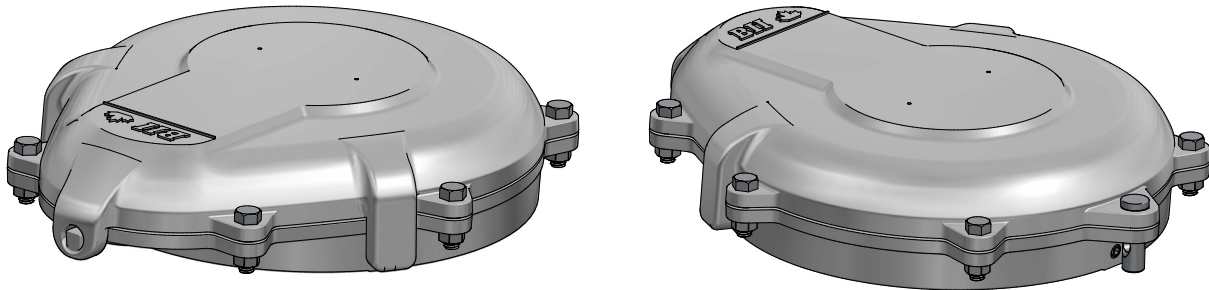


# WTCL-A SERIES WELL CAP INSTRUCTIONS



Series: WTCL-A  
Installation Instructions

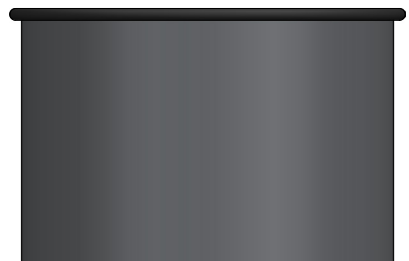
## Installation Instructions for WTCL-A Series (8, 10, & 12") Two Piece Locking Well Caps



**Required tools: (2) 1/2" wrenches & (1) 5/32" allen wrench**

### STEP 1.

Make sure the well casing is cut off with a clean level cut and free of burrs and foreign debris.

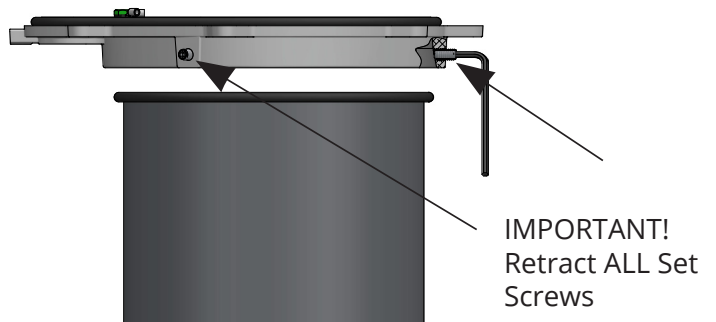


### STEP 2.

Take O-Ring and stretch it over the casing keeping it flush with the top of the casing.

### STEP 3.

Retract the set screws by turning counterclockwise using a 5/32" Allen key until the set screw is flush with inside of the aluminum ring, then place bottom ring over O-Ring.



### STEP 4.

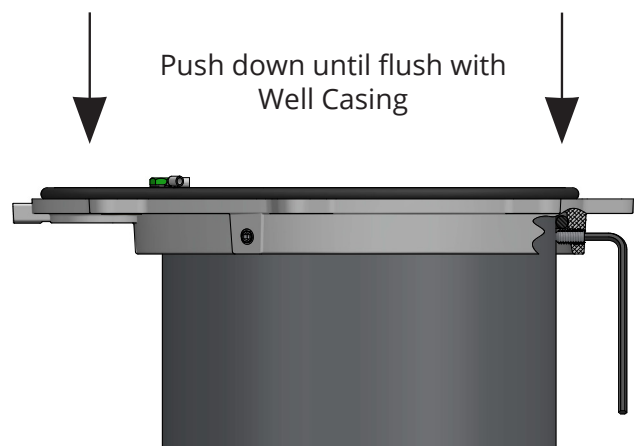
Push down on bottom ring, the O-Ring will roll inside the tapered section and compress the O-Ring between the ring and the well casing. Continue pushing down until the top of the ring is flush with the top of the casing.

### STEP 5.

Tighten the three set screws until each set screw contacts the well casing. Then further tighten using the allen key in small 1/4 turn increments in sequence to ensure equal force on the well casing. Repeat a second time to a maximum of 1/2 turn in total on each set screw.

### CAUTION:

Do not overtighten. If the set screws are not tightened in sequence it may cause the bottom ring to distort.

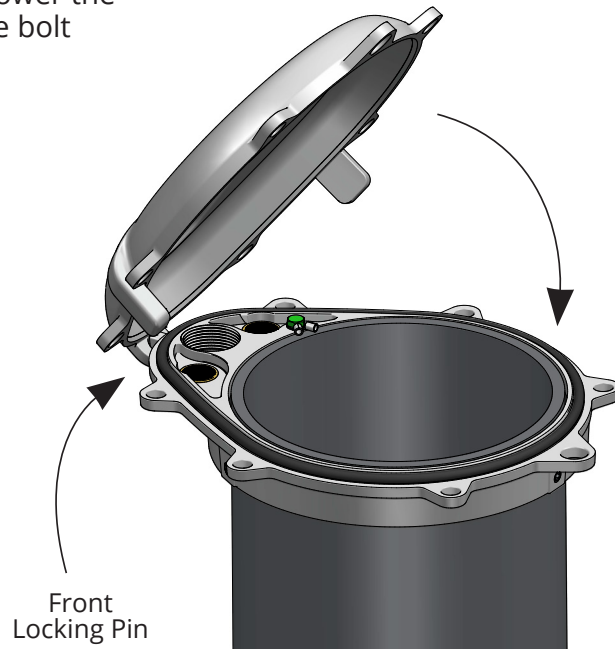


# WTCL-A SERIES WELL CAP INSTRUCTIONS



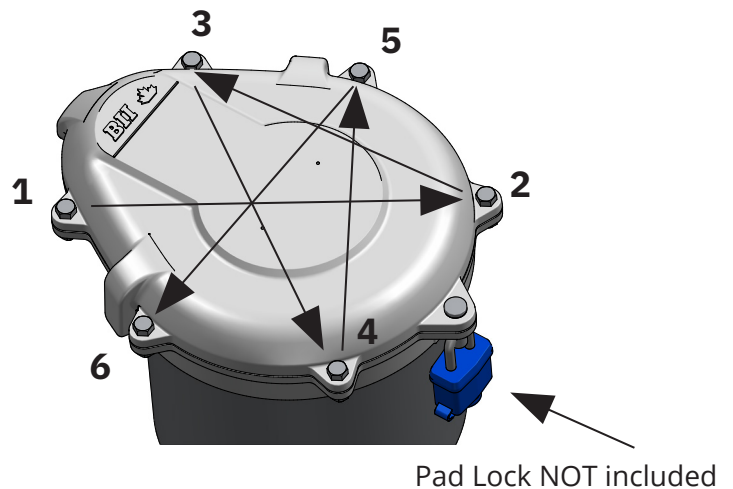
Series: WTCL-A  
Installation Instructions

STEP 6.  
Hook the cap cover onto the front pin and then lower the rear of the cap down onto the O-Ring aligning the bolt holes.



STEP 7.  
Reinstall the six cover bolts and finger tighten.

Then using two 1/2" wrenches, further tighten the bolts in an alternating sequence as shown. Follow the tightening pattern 2-3 times before fully tightening each bolt on the last round to ensure equal force is applied and evenly distributed.



STEP 8.  
OPTIONAL - Insert a pad lock through both the locking tabs in the top cover and the bottom ring and lock to prevent tampering with the well.

NOTE: Pad Lock is NOT included.

For more information on installation, adjustment, repair & operation, visit Boshart Knowledge Base at  
[SUPPORT.BOSHART.COM](https://support.boshart.com)

