

SSPEXBV SERIES - 304 STAINLESS STEEL CRIMP PEX BALL VALVE

FEATURES:

- Two piece investment cast body
- Blow out proof stem
- Solid stainless steel ball
- Stainless steel handle with blue plastic sleeve

SPECIFICATIONS:

- For use with ASTM F2769-22 tubing (Standard Specification for Polyethylene of Raised Temperature (PE-RT/SDR9) Plastic Hot and Cold Potable Water Tubing and Distribution Systems)
- For use with ASTM F2623-22 tubing (Standard Specification for Polyethylene of Raised Temperature (PE-RT/SDR9) Systems for Non-Potable Water Applications)
- For use with ASTM F876-23 PEX pipe (Standard Specification for Crosslinked Polyethylene (PEX) Tubing that is Outside Diameter Controlled)
- Crimp PEX ends conform to ASTM F1807

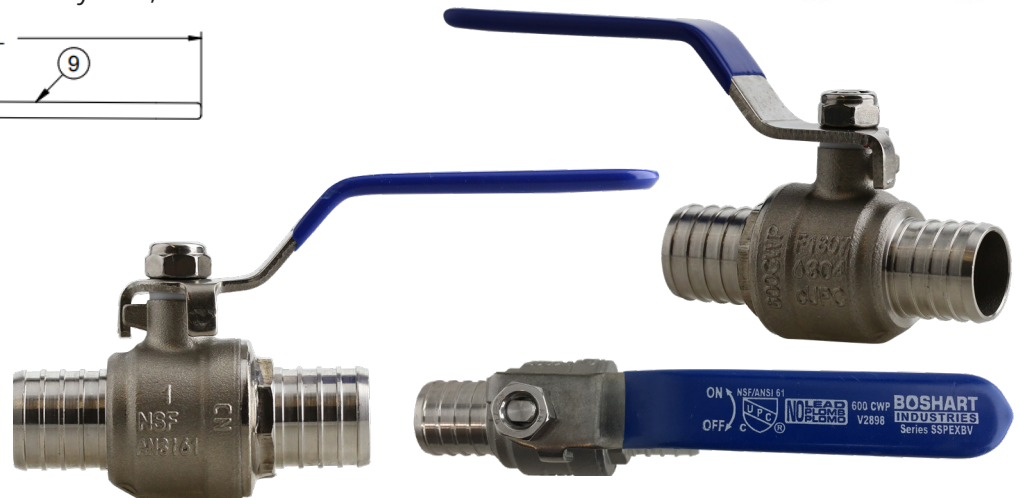
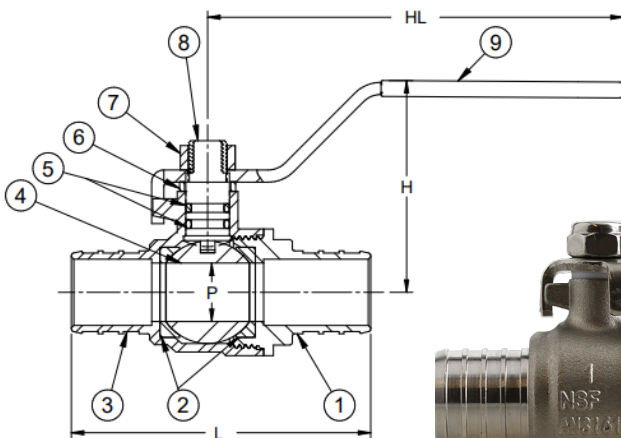
RATINGS:

- Maximum pressure rating: 600 PSI CWP
- CWP - Cold Working Pressure, is an indication of the pressure rating for valves at a temperature range of up to +100 °F (37 °C)
- Maximum temperature rating: -40 °F to 200 °F (-40 °C to 93 °C)

CERTIFICATIONS:

- cUPC Listed
- NSF/ANSI Standard 61 Certified (Drinking Water System Components - Health Effects)
- NSF/ANSI 372 Certified (Drinking Water System Components - Lead Content)
- Stainless steel alloys do not contain any lead, 0.00% Pb

MATERIAL LIST		
Part No.	Part Name	Material
1	End Cap	304 Stainless Steel
2	Seat	PTFE (Polytetrafluoroethylene)
3	Valve Body	304 Stainless Steel
4	Ball	304 Stainless Steel
5	Stem O-ring	NBR (Nitrile Butadiene Rubber)
6	Spring Washer	PTFE (Polytetrafluoroethylene)
7	Lock Nut	304 Stainless Steel
8	Stem	304 Stainless Steel
9	Handle	304 Stainless Steel with blue PVC sleeve



DIMENSIONS											
Part No.	Size	L		H		HL		P		Weight	
		in	mm	in	mm	in	mm	in	mm	lb	g
SSPEXBV-05	1/2"	2.43	61.7	1.50	38.1	3.25	82.6	0.35	9.00	0.207	94
SSPEXBV-07	3/4"	2.42	61.5	1.60	40.6	3.25	82.6	0.47	12.0	0.269	122
SSPEXBV-10	1"	3.00	76.2	2.05	52.1	4.15	105.4	0.67	17.0	0.489	222

BOSHART
INDUSTRIES

25 Whaley Avenue, PO Box 310, Milverton, ON CANADA N0K 1M0
Tel: 800-561-3164

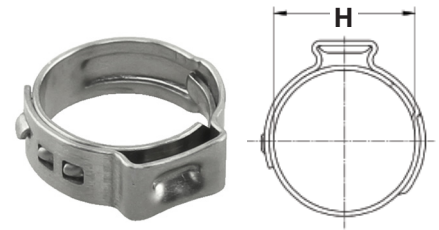
boshart.com ♦ blog.boshart.com

SSPEXBV SERIES - ACCESSORY PARTS:

SSPEX-PC SERIES - PINCH CLAMPS

- Made from 304 stainless steel
- Conforms to testing standard ASTM-F877

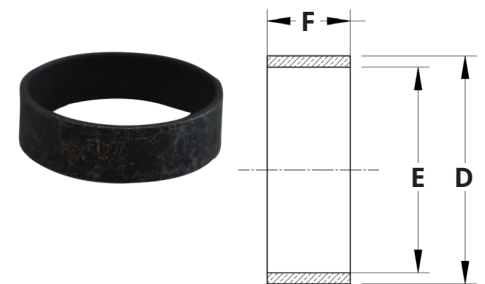
Part No.	Description	H (Unclamped)		H (Clamped)	
		in	mm	in	mm
SSPEX-PC05	1/2" PEX Clamp Ring	0.69	17.5	0.61	15.5
SSPEX-PC07	3/4" PEX Clamp Ring	0.92	23.3	0.86	21.8
SSPEX-PC10	1" PEX Clamp Ring	1.17	29.6	1.12	28.4



720P-CR SERIES - CRIMP RING

- Made from C12200 copper

Part No.	Description	D		E**		F	
		in	mm	in	mm	in	mm
720P-CR05*	1/2" Crimp PEX Ring	0.75	19.1	0.64	16.2	0.33	8.26
720P-CR07*	3/4" Crimp PEX Ring	1.00	25.4	0.89	22.6	0.33	8.26
720P-CR10*	1" Crimp PEX Ring	1.25	31.8	1.15	29.3	0.37	9.27



*Dimensional tolerances as per ASTM F1807

**Note: I.D. (E) is a calculated dimension and is a reference only.



Crimp Ring Markings

SSPEXBV SERIES - REPLACEMENT PARTS:

RPSSPEXBV - REPLACEMENT HANDLE KIT (WITH NYLON INSERT LOCKNUT)

Part No.	Description	SS Lock Nut Thread
RPSSPEXBV-H1V2898	Fits 1/2 and 3/4" ball valves	M6 x 1
RPSSPEXBV-H2V2898	Fits 1" ball valves	M8 x 1.25



For more information on installation, adjustment, repair & operation, visit Boshart Knowledge Base at

SUPPORT.BOSHART.COM



BOSHART
INDUSTRIES

© 2020 Boshart Industries Inc. All Rights Reserved.

25 Whaley Avenue, PO Box 310, Milverton, ON CANADA N0K 1M0
Tel: 800-561-3164

boshart.com • blog.boshart.com

BII-SSPEXBV(D)-1024(2898) V5