

# WTCL-C08 PREMIUM WATER TIGHT WELL CAP & ACCESSORIES

## APPLICATIONS:

- Easy to install and easy to remove cover for access to the well for maintenance.

## FEATURES:

- 3 piece design allows cover to be removed without disturbing seal to the well casing or interfering with the wiring / conduit.
- Locking feature provides a secure/tamper proof design, padlock NOT included.
- Blue powder coat paint baked on to ensure high quality.
- 2" mushroom vent cap with stainless steel 24 mesh screen included to ensure cap is vermin proof.
- Replacement of vent with 2" MPT plug converts vented well cap into watertight where and when required.
- Cap supplied with grounding bolt and two tongue ring terminal connectors. Three stainless steel grounding set screws bond the well cap to the well casing (steel).
- Personalization available by means of engraved aluminum plate affixed by drive rivets

## SPECIFICATIONS:

- Made of cast iron
- Heavy duty Styrene-butadiene rubber (SBR) gaskets ensure positive watertight compression seal to the well casing.
- Large 2" FPT conduit connection provides adequate room for heavy gauge submersible pump cables.
- Stainless steel hardware for maximum corrosion resistance

## CERTIFICATIONS:

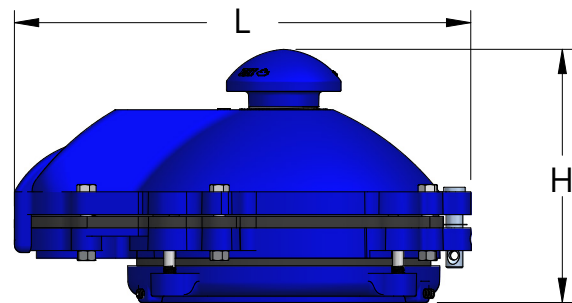
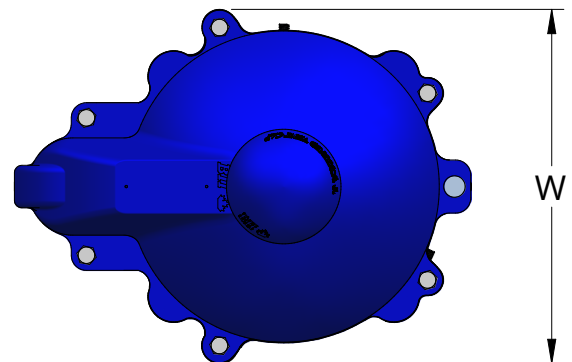
- ASSE Standard #1093-2019, WSC Standard PAS-97 (2019) Performance Requirements for Pitless Adapters, Pitless Units, and well caps
  - Section 3.5 Tamper Resistance for Sanitary Well Caps
  - Section 3.6 Venting for Sanitary Well Caps
  - Section 3.7 Water-Resistant Capability for Sanitary Well Caps



ASSE Standard #1093-2019 & WSC Standard PAS-97 (2019)



WTCL-C08  
(Pad Lock Not Included)



## DIMENSIONS

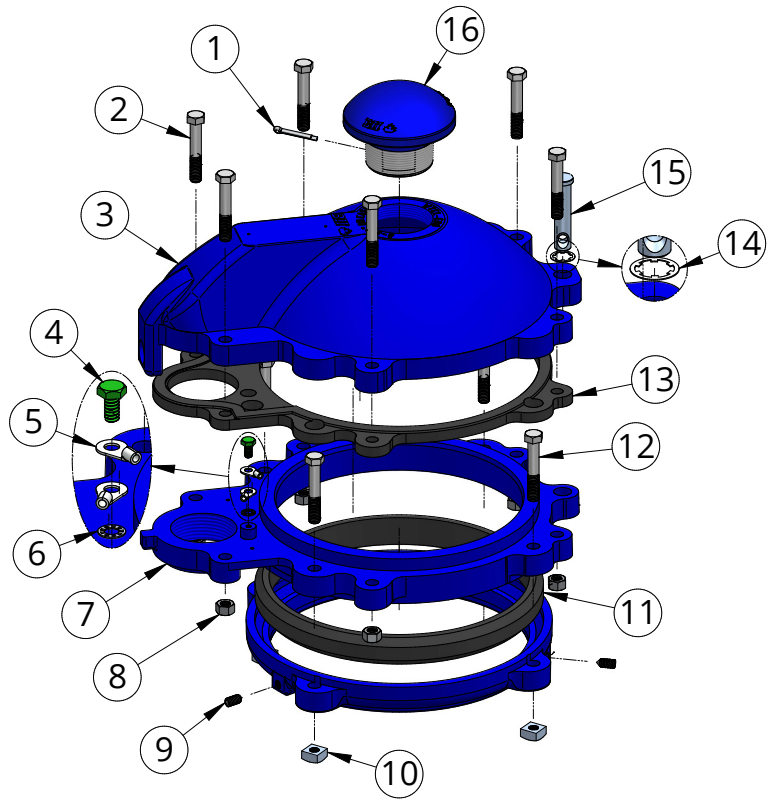
Part No.	Casing Size (in)		Conduit Connection	Air Vents	L		W		H		Weight (lb)	
	I.D.	O.D.			in	mm	in	mm	in	mm	lb	kg
WTCL-C08	8"	8-5/8"	2" FPT	(1) 2" MVC	15.05	382.27	11.65	295.91	6.35	161.29	30.47	13.82



25 Whaley Avenue, PO Box 310, Milverton, ON CANADA N0K 1M0  
Tel: 800-561-3164

[boshart.com](http://boshart.com) ♦ [blog.boshart.com](http://blog.boshart.com)

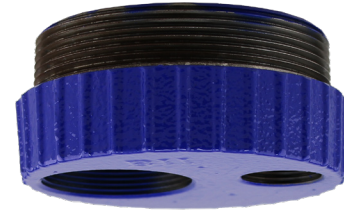
MATERIAL LIST			
Part No.	Qty.	Part Name	Material
1	1	5/32" x 1" Cotter Pin	Stainless Steel
2	6	3/8"-16 NC x 2-1/4" Bolts	304 SS
3	1	Well Cap Cover	Cast Iron
4	1	1/4-20 UNC x 1/2" long Zinc Plated Green Ground Bolt	Stainless Steel 18.8
5	2	Ring Tongue Terminals	Stainless Steel
6	1	Internal Tooth Lock Washer	Stainless Steel 18.8
7	1	Middle Ring (Painted Blue)	Iron grey cast type 20
8	6	Nuts	303 SS
9	3	5/16" x 3/4" NC Lower Ring Set Screws	18.8 SS
10	4	Square Nuts	303 SS
11	1	Lower Gasket	SBR
12	4	3/8"-16 NC x 2-1/4" Bolts	304 SS
13	1	Top Gasket	SBR
14	1	Retaining Ring	Stainless Steel
15	1	Locking Pin	Stainless Steel 18.8
16	1	2" Mushroom Vent Cap	Iron, grey cast type 20



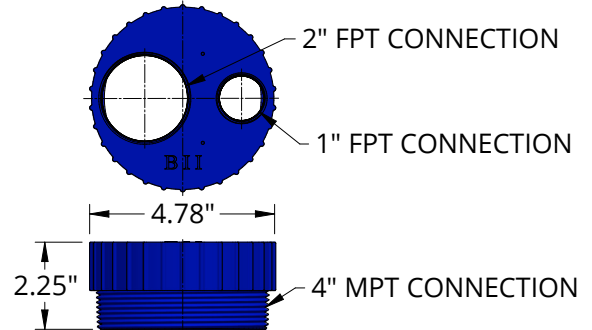
# PREMIUM WATERTIGHT WELL CAP ACCESSORIES: (SOLD SEPARATELY)

## CONDUIT ADAPTER

- Converts the 4" FPT conduit connection into two ports: (1) 2" FPT and (1) 1" FPT conduit connections allowing for the separation of power cables and other sensor wiring to eliminate electrical interference.
- Blue powder coat paint applied for durability.
- Made of cast iron.



DIMENSIONS		
Part No.	Weight	
	lb	grams
WTCL-CA40-2010	3.95	1791.69

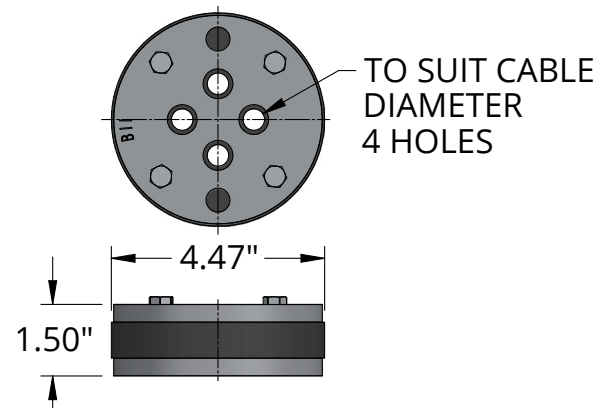


## CABLE SEAL ASSEMBLY

- Provides watertight/vermin proof barrier between conduit piping and well chamber of the well cap.
- Plates and hardware are Stainless Steel for maximum corrosion resistance.
- Styrene-butadiene rubber (SBR) gasket.
- Four 1/4"-20 UNC x 1-1/2" long SS Hex Head Cap Screws.



DIMENSIONS			
Part No.	Weight		Cable Diameter Range
	lb	grams	
WTCL-CS40-312-4	3.86	1750.87	0.187" to 0.312"
WTCL-CS40-437-4	3.86	1750.87	0.312" to 0.437"
WTCL-CS40-563-4	3.86	1750.87	0.437" to 0.563"
WTCL-CS40-700-4	3.86	1750.87	0.563" to 0.7"



**BOSHART**  
INDUSTRIES

25 Whaley Avenue, PO Box 310, Milverton, ON CANADA N0K 1M0  
Tel: 800-561-3164

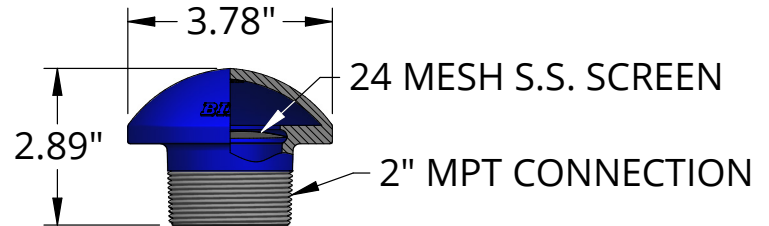
[boshart.com](http://boshart.com) ♦ [blog.boshart.com](http://blog.boshart.com)

### "MUSHROOM" VENT CAP:

- 2" MPT thread
- Cotter key to lock vent in place included
- Blue powder coat paint applied for durability
- Made of cast iron
- 24 mesh stainless steel screen makes the cap vermin proof



DIMENSIONS			
Part No.	Well Cap Size	Weight	
		lb	grams
WTCL-VC-08	8"	1.38	625.96

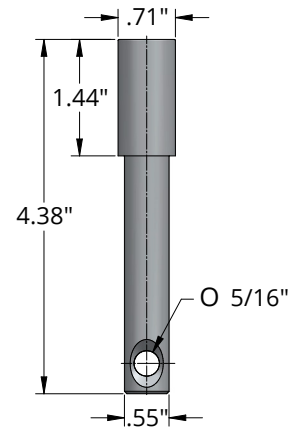


### LOCKING PIN

- For accessory ports on the WTCL-C08 series well cap.
- A padlock up to a maximum of 5/16" shank diameter will fit through pin hole.
- Made of 304 Stainless Steel.



WTCL-CLP



For more information on installation, adjustment, repair & operation, visit Boshart Knowledge Base at

[SUPPORT.BOSHART.COM](http://SUPPORT.BOSHART.COM)

