

# WTCL-A SERIES - WATERTIGHT WELL CAPS ALUMINUM LOCKING

## FEATURES:

- Aluminum Well Cap for Steel or PVC well casings.
- Easy to install and easy to remove cover for access to the well for maintenance.
- Double O-ring ensures a reliable watertight and vermin proof seal between cover and lower ring as well as between the lower ring and well casing.
- Two large 24 SS mesh vents (43.5% open area) ensure well can breathe during the pumping cycle as the water level is drawn down and replenishes to the static water level when the pump stops.
- Ground bolt supplied to facilitate grounding of the submersible pump and steel well casing. 3 set bolts secure the lower rings to the well casing and make a grounding bond to steel well casings.
- Locking feature provides a secure, tamper-proof installation, supplied with Locking Pin for 5/16" padlock shank.

## SPECIFICATIONS:

- 1-1/4" FPT conduit connection

## CERTIFICATIONS:

- ASSE Standard #1093-2019, WSC Standard PAS-97 (2019) Performance Requirements for Pitless Adapters, Pitless Units, and Well Caps
  - Section 3.5 Tamper Resistance for Sanitary Well Caps
  - Section 3.6 Venting for Sanitary Well Caps
  - Section 3.7 Water-Resistant Capability for Sanitary Well Caps

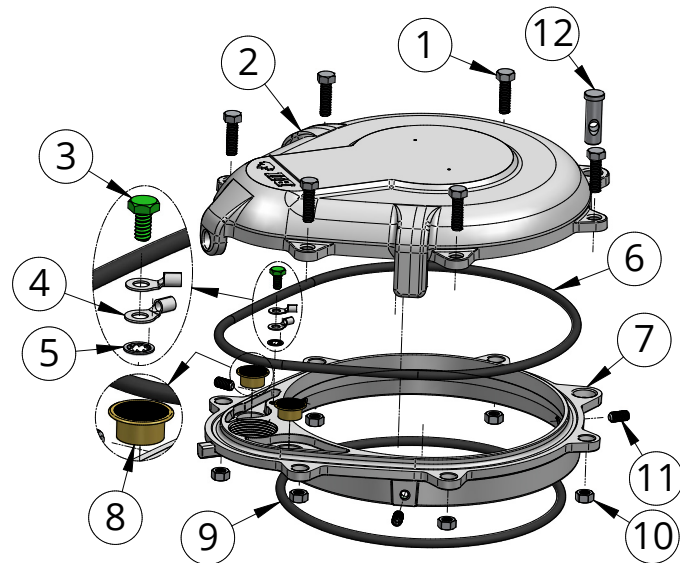


ASSE Standard  
#1093-2019 &  
WSC Standard  
PAS-97 (2019)



WTCL-A08  
(Padlock NOT included)

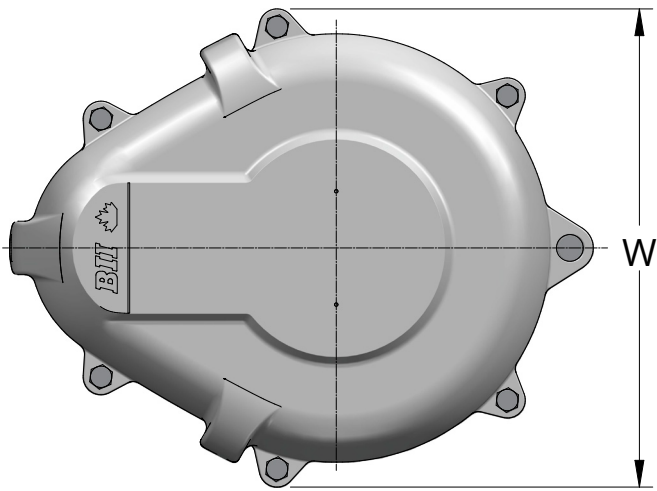
MATERIAL LIST			
Item No.	Qty.	Part Name	Material
1	6	5/16-18 UNC x 1-1/8" long Hex Head Cap Screws per ANSI/ASME B18.2.1	Stainless Steel 18.8
2	1	8" Watertight Well Cap Top Cover	ADC 10 Aluminum
3	1	1/4-20 UNC x 1/2" long Zinc Plated Green Ground Bolt per ANSI/ASME B18.2.1	Stainless Steel 18.8
4	2	Tin Plated copper ring terminals for 8 gauge wire & 1/4" screw	Tin Plated Copper
5	1	Internal Tooth Retaining Washer	Stainless Steel 18.8
6	1	8" Watertight Top Cover O-Ring (AS568-449)	Nitrile Butadiene (NBR)
7	1	Well Cap Bottom Ring	ADC 10 Aluminum
8	2	Well Cap Vent	Brass Housing
			SS Screen
9	1	8" Watertight Casing O-Ring (AS568-446)	Nitrile Butadiene (NBR)
10	6	5/16-18 UNC Hex Nut per ANSI/ASME B18.2.1	Stainless Steel 18.8
11	3	5/16-18 UNC x 5/8" long Socket Screw Set per ANSI/ASME B18.2.1	Stainless Steel 18.8
12	1	Well Cap Locking Pin	304 SS



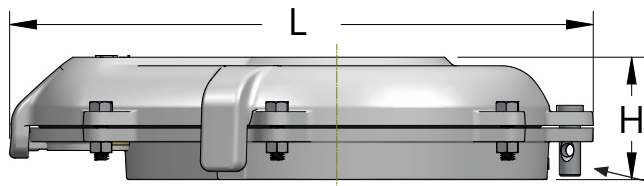
**BOSHART**  
INDUSTRIES

25 Whaley Avenue, PO Box 310, Milverton, ON CANADA N0K 1M0  
Tel: 800-561-3164

[boshart.com](http://boshart.com) ♦ [blog.boshart.com](http://blog.boshart.com)



WTCL-A08



Locking pin will accommodate 5/16" (7.95mm) padlock shank.

### DIMENSIONS

Part No.	Casing Size (in)		Conduit Connection (FPT)	Air Vent	L		W		H		Weight	
	I.D.	O.D.			in	mm	in	mm	in	mm	lb	kg
WTCL-A08	8	8-5/8	1-1/4"	(2) 3/4"	13.65	346.71	11.18	283.97	2.36	59.94	3.53	1.60
WTCL-A10	10	10-3/4	1-1/4"	(2) 3/4"	15.77	400.56	13.23	336.04	2.36	59.94	5.02	2.28
WTCL-A12	12	12-3/4	1-1/4"	(2) 3/4"	17.77	451.36	15.17	385.32	2.36	59.94	7.09	3.22

### REPLACEMENT O-RINGS

Part No	O-Ring Part Number	
	Top Cover (Item #6)	Well Casing (Item 9)
WTCL-A08	(AS568-449) WTC-TCOR-449	(AS568-446) WTC-TCOR-446
WTCL-A10	(AS568-453) WTC-TCOR-453	(AS568-450) WTC-TCOR-450
WTCL-A12	(AS568-457) WTC-TCOR-457	(AS568-454) WTC-TCOR-454

For more information on installation, adjustment, repair & operation, visit Boshart Knowledge Base at

SUPPORT.BOSHART.COM



25 Whaley Avenue, PO Box 310, Milverton, ON CANADA N0K 1M0  
Tel: 800-561-3164

[boshart.com](http://boshart.com) ♦ [blog.boshart.com](http://blog.boshart.com)