

# WTCL(C) SERIES - PREMIUM WATERTIGHT WELL CAPS & ACCESSORIES

## APPLICATIONS:

- For capping 10", 12", and 14" domestic or industrial wells to ensure vermin proof/watertight sealing to well casing.
- Provides easy access to well without interfering with seal to casing, or conduit and wiring.
- Stop tab allows for easy and accurate positioning of lower assembly.

## FEATURES:

- Locking feature provides a secure/tamper proof design. padlock NOT included.
- Large dome vent cap with 24 mesh S.S. screen provided as standard.
- Easily converts to 100% water proof design by replacing the vent with a plug.
- Two lockable accessory ports.
- Durable blue powder coat paint, baked to ensure superior quality finish.
- Caps are supplied with a grounding terminal and the metal cap is bonded to the steel casing with 3 set screws.
- Personalization (optional) is available by means of an engraved aluminum plate, affixed by drive rivets.



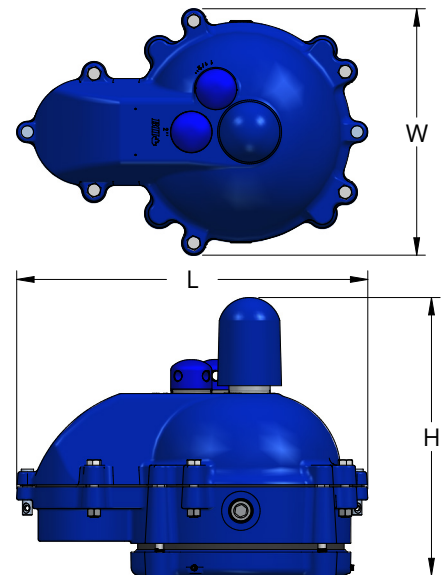
ASSE Standard #1093-2019 & WSC Standard PAS-97 (2019)

## SPECIFICATIONS:

- 4" FPT conduit connection provides lots of room for the installation of heavy gauge submersible pump cables.
- Two 1" FPT ports are provided for field installation of accessories.
- Thick heavy duty Styrene-butadiene rubber (SBR) gaskets.
- All hardware is Stainless Steel for maximum corrosion resistance (No Plated Fasteners).

## CERTIFICATIONS:

- ASSE Standard #1093-2019, WSC Standard PAS-97 (2019) Performance Requirements for Pitless Adapters, Pitless Units, and well caps
  - Section 3.5 Tamper Resistance for Sanitary Well Caps
  - Section 3.6 Venting for Sanitary Well Caps
  - Section 3.7 Water-Resistant Capability for Sanitary Well Caps



WTCL-C12



WTCL-C12 (Without Lid)



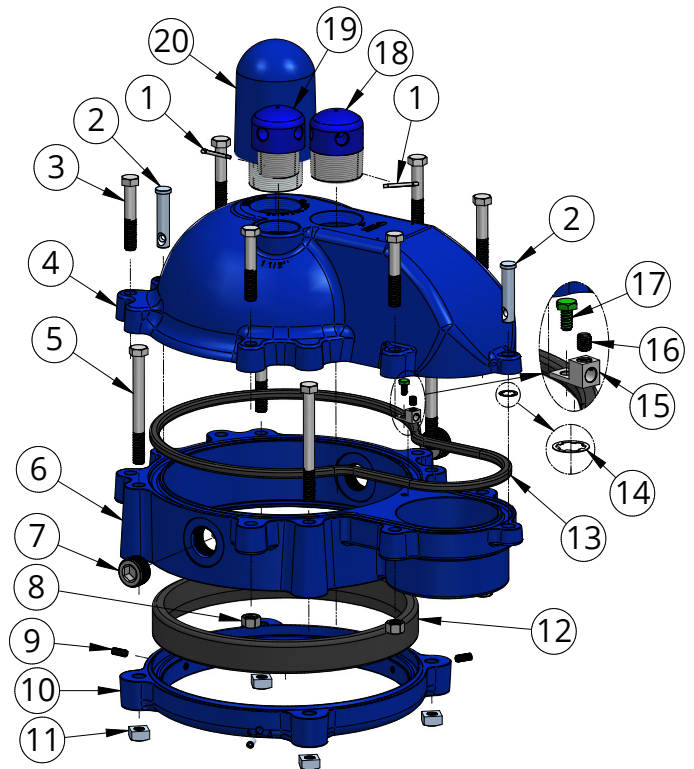
Casing Size (in)												
Part No.	I.D.	O.D.	Conduit Connection	Air Vents (sq in)/Mesh	L		W		H		Weight	
					in	mm	in	mm	in	mm	lb	kg
WTCL-C10	10.0	10-3/4	4" FPT	10.5 / 60	20.21	513.3	14.18	360.2	16.01	406.7	89.78	40.72
WTCL-C12	12.0	12-3/4	4" FPT	10.5 / 60	22.33	567.2	16.94	430.3	16.78	426.2	109.10	49.49
WTCL-C14	13.2	14	4" FPT	10.5 / 60	23.62	599.9	18.25	463.6	17.78	451.6	120.03	54.44



25 Whaley Avenue, PO Box 310, Milverton, ON CANADA N0K 1M0  
Tel: 800-561-3164

[boshart.com](http://boshart.com) ♦ [blog.boshart.com](http://blog.boshart.com)

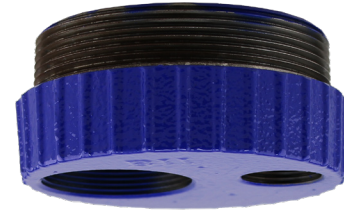
MATERIAL LIST			
Part No.	Qty.	Part Name	Material
1	2	5/32" x 1" Cotter Pin	Stainless Steel
2	1	Locking Pin (fits 0.27" shank padlock - not included)	Stainless Steel 304
3	6 (WTCL-C10)	1/2-13 UNC x 3" long Hex Head cap screw	Stainless Steel
	8 (WTCL-C12) (WTCL-C14)		
4	1	Cover	Iron, grey cast type 20
5	4 (WTCL-C10)	1/2-13 UNC x 5" long Hex Head cap screw	Stainless Steel
	6 (WTCL-C12) (WTCL-C14)		
6	1	Middle Ring	Iron, grey cast type 20
7	2	1-11 1/2 NPT Countersunk Hex Pipe Plug	Stainless Steel
8	6 (WTCL-C10)	1/2-13 UNC Hex Nut	Stainless Steel
	8 (WTCL-C12) (WTCL-C14)		
9	3	5/16-18 UNC x 3/4" long Set Screw per ANSI/ASME B18.6.2-1998	Stainless Steel
10	1	Lower Ring	Iron, grey cast type 20
11	4 (WTCL-C10)	1/2-13 UNC Square Nut	Stainless Steel
	6 (WTCL-C12) (WTCL-C14)		
12	1	Lower Gasket	SBR
13	1	Top Gasket	SBR
14	2	14mm External Push-on Retaining Ring (6 prongs)	Stainless Steel
15	1	Solderless Lug	Aluminum
16	1	5/16-24 UNF x 3/8" long Slotted Oval point Set Screw per ANSI/ASME B18.6.2-1998	Stainless Steel
17	1	1/4-20 UNC x 1/2" long Green Ground Bolt	Stainless Steel
18	1	Lockable 2" Test Cap	Iron, grey cast type 20
19	1	Lockable 1-1/2" Test Cap	Iron, grey cast type 20
20	1	Domed Vent Cap	Iron, grey cast type 20



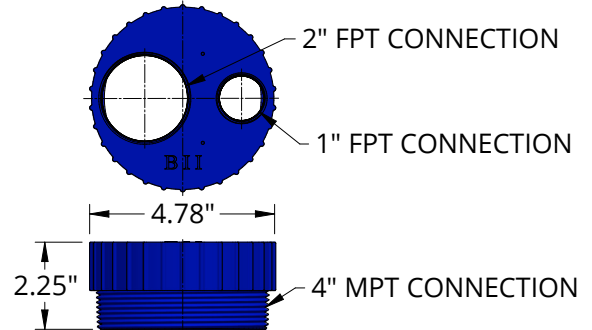
# PREMIUM WATERTIGHT WELL CAP ACCESSORIES: (SOLD SEPARATELY)

## CONDUIT ADAPTER

- Converts the 4" FPT conduit connection into two ports: (1) 2" FPT and (1) 1" FPT conduit connections allowing for the separation of power cables and other sensor wiring to eliminate electrical interference.
- Blue powder coat paint applied for durability.
- Made of cast iron.



DIMENSIONS		
Part No.	Weight	
	lb	grams
WTCL-CA40-2010	3.95	1791.69

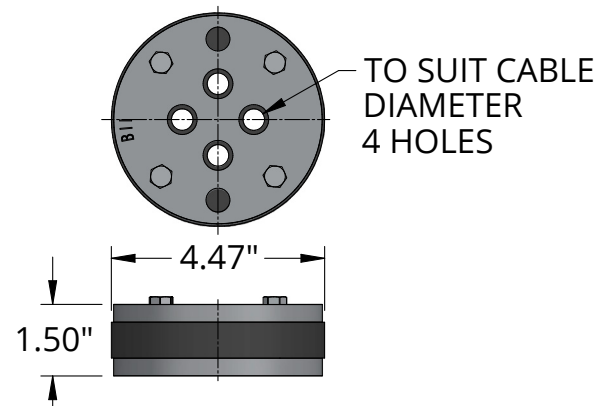


## CABLE SEAL ASSEMBLY

- Provides watertight/vermin proof barrier between conduit piping and well chamber of the well cap.
- Plates and hardware are Stainless Steel for maximum corrosion resistance.
- Styrene-butadiene rubber (SBR) gasket.
- Four 1/4"-20 UNC x 1-1/2" long SS Hex Head Cap Screws.



DIMENSIONS			
Part No.	Weight		Cable Diameter Range
	lb	grams	
WTCL-CS40-312-4	3.86	1750.87	0.187" to 0.312"
WTCL-CS40-437-4	3.86	1750.87	0.312" to 0.437"
WTCL-CS40-563-4	3.86	1750.87	0.437" to 0.563"
WTCL-CS40-700-4	3.86	1750.87	0.563" to 0.7"



**BOSHART**  
INDUSTRIES

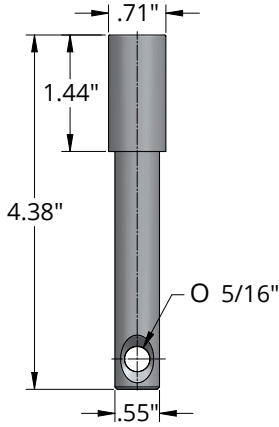
25 Whaley Avenue, PO Box 310, Milverton, ON CANADA N0K 1M0  
Tel: 800-561-3164

[boshart.com](http://boshart.com) ♦ [blog.boshart.com](http://blog.boshart.com)

### LOCKING PIN FOR ACCESSORY PORTS

- For accessory ports on the 10", 12", or 14" WTCL-C series well caps.
- A padlock up to a maximum of 5/16" shank diameter will fit through pin hole.
- Made of 304 Stainless Steel.

WTCL-CLP



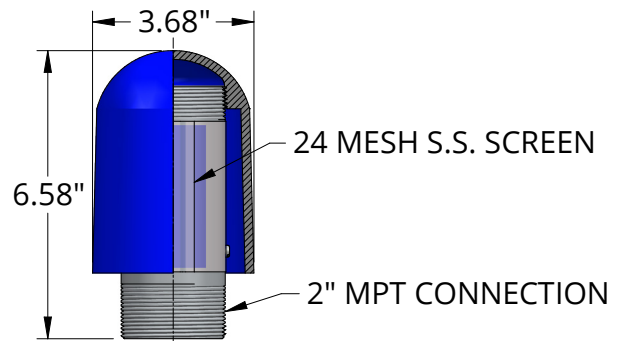
### PREMIUM WATERTIGHT WELL CAP REPLACEMENT PARTS: (SOLD SEPARATELY)

#### VENT CAP

- Features a 24 mesh stainless steel screen.
- 2" MPT thread.
- SS Cotter key to lock vent in place included.
- Blue powder coat paint applied for durability.
- Made of cast iron.



DIMENSIONS			
Part No.	Well Cap Size	Weight	
		lb	grams
WTCL-VC-1014	10", 12" or 14"	4.22	1914.16



25 Whaley Avenue, PO Box 310, Milverton, ON CANADA N0K 1M0  
Tel: 800-561-3164

[boshart.com](http://boshart.com) ♦ [blog.boshart.com](http://blog.boshart.com)

## ACCESSORY CAPS FOR WTCL-C CAST IRON CAPS, 10", 12", 14"

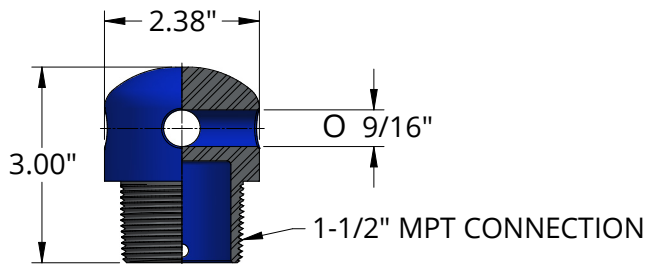
- WTCL-CAP-15 & WTCL-CAP-20
- Extra long tapered pipe thread
- Hole for cotter pin located at bottom of threads
- Powder coated blue finish
- Can be secured with Locking Pin for Accessory Ports



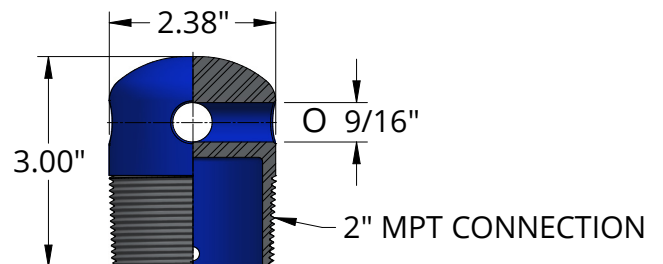
WTCL-CAP-15 & Cotter Pin

### ■ DIMENSIONS:

WTCL-CAP-15



WTCL-CAP-20



For more information on installation,  
adjustment, repair & operation, visit  
Boshart Knowledge Base at

[SUPPORT.BOSHART.COM](http://SUPPORT.BOSHART.COM)



**BOSHART**  
**INDUSTRIES**

© 2020 Boshart Industries Inc. All Rights Reserved.

25 Whaley Avenue, PO Box 310, Milverton, ON CANADA N0K 1M0  
Tel: 800-561-3164

[boshart.com](http://boshart.com) ♦ [blog.boshart.com](http://blog.boshart.com)

BII-(WTCL-CAP)1024(131IPU)