

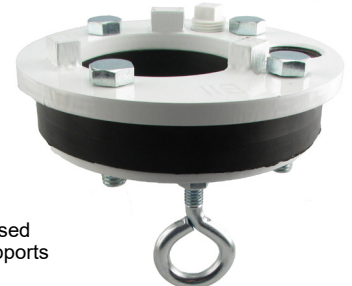
WSS SERIES - STEEL WELL SEALS

FEATURES:

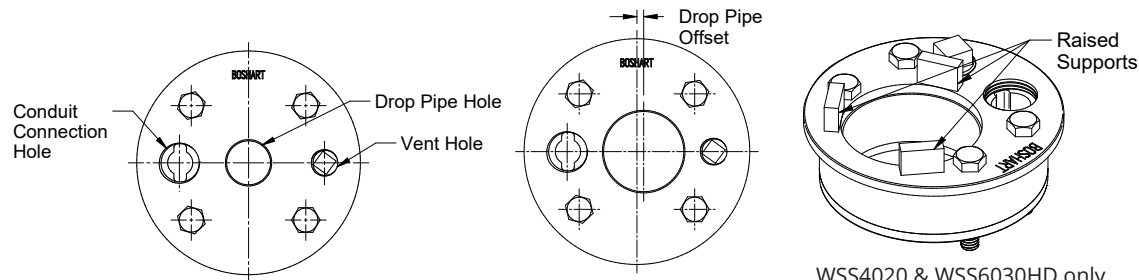
- Unique gland design allows for wide range of casing sizes
- Half thread bolts provide smooth sealing surface and ensures watertight seal
- Extra thick rubber gland for positive sealing
- Eye-bolt option is available by adding -EB to the end of the part number
- Grommet kit is not included (See last page for this accessory)
- Offset drop pipe allows for large conduit connection

SPECIFICATIONS:

- A36 hot roll steel plates
- White powder coated steel plates for durable finish
- Zinc plated bolts and Eye bolt
- Rubber gland material: Styrene - Butadiene Rubber (SBR)



Well seal with eye-bolt



WSS4020 & WSS6030HD only
(Double hole not pictured here)

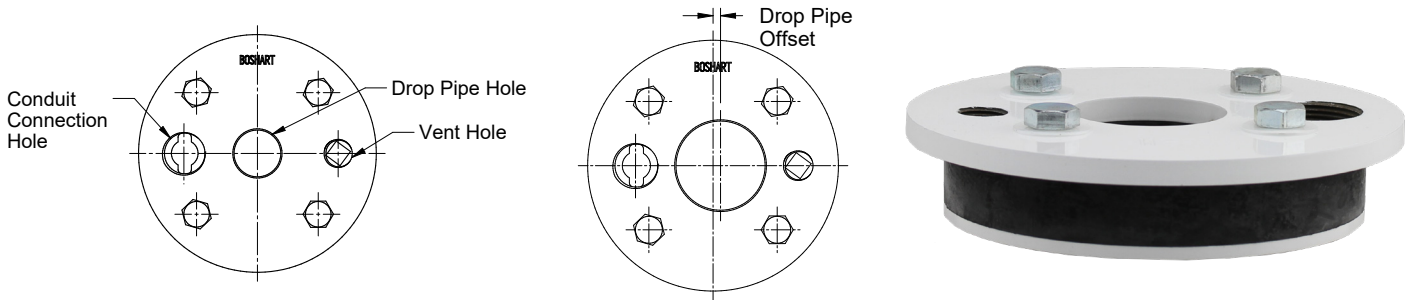
Single Hole Well Seals

Series	Well Casing I.D.	Drop Pipe Size	Drop Pipe Offset (in)	Top Plate Thickness (in)	Bottom Plate Thickness (in)	Conduit Connection (FPT)	Vent Size (FPT)	Load LBs (Max.)
3-1/2" WSS Series								
WSS3510	3-1/2"	1"	0.925	1/2 (0.5)	3/16 (.1875)	1/2"	1/2"	2100
4" WSS Series								
WSS4010	4" to 4-1/4"	1"	0.281	3/16 (.1875)	3/16 (.1875)	3/4"	1/2"	2100
WSS4012	4" to 4-1/4"	1-1/4"	0.281	3/16 (.1875)	3/16 (.1875)	3/4"	1/2"	2100
WSS4015	4" to 4-1/4"	1-1/2"	0.543	3/16 (.1875)	3/16 (.1875)	3/4"	1/2"	2100
WSS4020*	4" to 4-1/4"	2"	0.543	3/16 (.1875)	3/16 (.1875)	3/4"	1/2"	2100
WSS4020 has raised supports, making it possible to incorporate a 3/4" cable hole								
4-1/2" WSS Series								
WSS4510	4-1/4" to 4-1/2"	1"	0.247	3/16 (.1875)	3/16 (.1875)	3/4"	1/2"	2100
WSS4512	4-1/4" to 4-1/2"	1-1/4"	0.247	3/16 (.1875)	3/16 (.1875)	3/4"	1/2"	2100
WSS4515	4-1/4" to 4-1/2"	1-1/2"	0.443	3/16 (.1875)	3/16 (.1875)	3/4"	1/2"	2100
WSS4520	4-1/4" to 4-1/2"	2"	0.443	3/16 (.1875)	3/16 (.1875)	1/2"	1/2"	2100
5" WSS Series								
WSS5010	5" to 5-1/4"	1"	0.16	3/16 (.1875)	3/16 (.1875)	1"	1/2"	1500
WSS5012	5" to 5-1/4"	1-1/4"	0.16	3/16 (.1875)	3/16 (.1875)	1"	1/2"	1500
WSS5015	5" to 5-1/4"	1-1/2"	0.583	3/16 (.1875)	3/16 (.1875)	1"	1/2"	1500
WSS5020	5" to 5-1/4"	2"	0.583	3/16 (.1875)	3/16 (.1875)	1"	1/2"	1500



25 Whaley Avenue, PO Box 310, Milverton, ON CANADA N0K 1M0
Tel: 800-561-3164

boshart.com ♦ blog.boshart.com



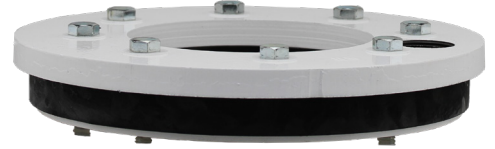
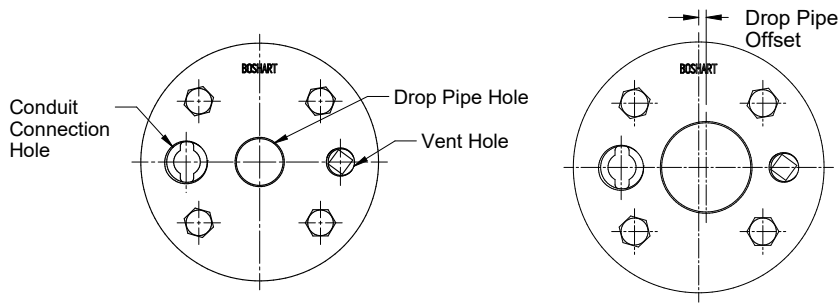
Single Hole Well Seals

Series	Well Casing I.D.	Drop Pipe Size	Drop Pipe Offset (in)	Top Plate Thickness (in)	Bottom Plate Thickness (in)	Conduit Connection (FPT)	Vent Size (FPT)	Load LBs (Max.)
6" WSS Series								
WSS6010	6" to 6-1/4"	1"	Centered	3/16 (.1875)	3/16 (.1875)	1"	1/2"	1100
WSS6012	6" to 6-1/4"	1-1/4"	Centered	3/16 (.1875)	3/16 (.1875)	1"	1/2"	1100
WSS6015	6" to 6-1/4"	1-1/2"	Centered	3/16 (.1875)	3/16 (.1875)	1"	1/2"	1100
WSS6020	6" to 6-1/4"	2"	0.2	3/16 (.1875)	3/16 (.1875)	1"	1/2"	1100
6-1/4" WSS Series								
WSS6210	6-1/4"	1"	Centered	3/16 (.1875)	3/16 (.1875)	1"	1/2"	1100
WSS6212	6-1/4"	1-1/4"	Centered	3/16 (.1875)	3/16 (.1875)	1"	1/2"	1100
WSS6215	6-1/4"	1-1/2"	Centered	3/16 (.1875)	3/16 (.1875)	1"	1/2"	1100
WSS6220	6-1/4"	2"	0.2	3/16 (.1875)	3/16 (.1875)	1"	1/2"	1100
7" WSS Series								
WSS7010	7"	1"	0.125	3/8 (0.375)	3/16 (.1875)	1-1/4"	1/2"	2000
WSS7012	7"	1-1/4"	0.125	3/8 (0.375)	3/16 (.1875)	1-1/4"	1/2"	2000
WSS7015	7"	1-1/2"	0.125	3/8 (0.375)	3/16 (.1875)	1-1/4"	1/2"	9000
WSS7020	7"	2"	0.125	3/8 (0.375)	3/16 (.1875)	1-1/4"	1/2"	9000
WSS7030	7"	3"	0.61	3/8 (0.375)	3/16 (.1875)	1-1/4"	1/2"	9000
8" WSS Series								
WSS8010	8" to 8-1/4"	1"	Centered	3/8 (0.375)	3/16 (.1875)	1-1/4"	1/2"	6900
WSS8012	8" to 8-1/4"	1-1/4"	Centered	3/8 (0.375)	3/16 (.1875)	1-1/4"	1/2"	6900
WSS8015	8" to 8-1/4"	1-1/2"	Centered	3/8 (0.375)	3/16 (.1875)	1-1/4"	1/2"	6900
WSS8020	8" to 8-1/4"	2"	Centered	3/8 (0.375)	3/16 (.1875)	1-1/4"	1/2"	6900
WSS8025	8" to 8-1/4"	2-1/2"	Centered	3/8 (0.375)	3/16 (.1875)	1-1/4"	1/2"	6900
WSS8030	8" to 8-1/4"	3"	Centered	1/2 (0.5)	3/16 (.1875)	1-1/4"	1/2"	12000
WSS8040	8" to 8-1/4"	4"	0.482	5/8 (0.625)	3/16 (.1875)	1-1/4"	1/2"	27000



25 Whaley Avenue, PO Box 310, Milverton, ON CANADA N0K 1M0
Tel: 800-561-3164

boshart.com ♦ blog.boshart.com



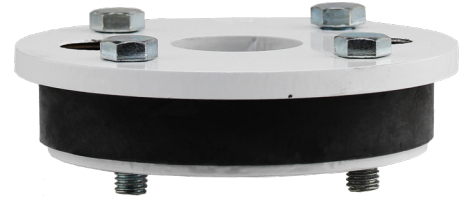
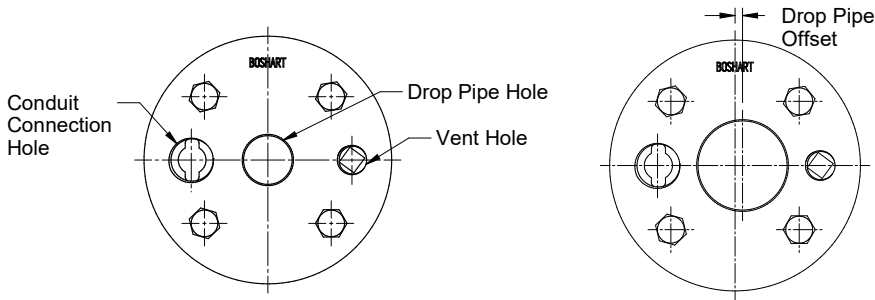
Single Hole Well Seals

Series	Well Casing I.D.	Drop Pipe Size	Drop Pipe Offset (in)	Top Plate Thickness (in)	Bottom Plate Thickness (in)	Conduit Connection (FPT)	Vent Size (FPT)	Load LBs (Max.)
10" WSS Series								
WSS10010	10"	1"	Centered	3/8 (0.375)	3/16 (.1875)	1-1/4"	1/2"	2800
WSS10012	10"	1-1/4"	Centered	3/8 (0.375)	3/16 (.1875)	1-1/4"	1/2"	2800
WSS10015	10"	1-1/2"	Centered	3/8 (0.375)	3/16 (.1875)	1-1/4"	1/2"	2800
WSS10020	10"	2"	Centered	3/8 (0.375)	3/16 (.1875)	1-1/4"	1/2"	2800
WSS10025	10"	2-1/2"	Centered	1/2 (0.5)	0.14	1-1/4"	1/2"	16500
WSS10030	10"	3"	Centered	5/8 (0.625)	3/16 (.1875)	1-1/4"	1/2"	16500
WSS10040	10"	4"	Centered	5/8 (0.625)	3/16 (.1875)	1-1/4"	1/2"	16500
WSS10050	10"	5"	0.3	3/4 (0.750)	3/16 (.1875)	1"	1/2"	34000
WSS10060	10"	6"	0.3	3/4 (0.75)	3/16 (.1875)	1"	1/2"	34000
12" WSS Series								
WSS12012	12"	1-1/4"	Centered	3/8 (0.375)	3/16 (.1875)	1-1/4"	1/2"	2800
WSS12015	12"	1-1/2"	Centered	3/8 (0.375)	3/16 (.1875)	1-1/4"	1/2"	2800
WSS12020	12"	2"	Centered	1/2 (0.5)	3/16 (.1875)	1-1/4"	1/2"	6600
WSS12030	12"	3"	Centered	5/8 (0.625)	3/16 (.1875)	1-1/4"	1/2"	12000
WSS12040	12"	4"	Centered	5/8 (0.625)	3/16 (.1875)	1-1/4"	1/2"	12000
WSS12050	12"	5"	Centered	3/4 (0.75)	3/16 (.1875)	1-1/4"	1/2"	22000
WSS12060	12"	6"	Centered	3/4 (0.75)	3/16 (.1875)	1-1/4"	1/2"	22000



25 Whaley Avenue, PO Box 310, Milverton, ON CANADA N0K 1M0
Tel: 800-561-3164

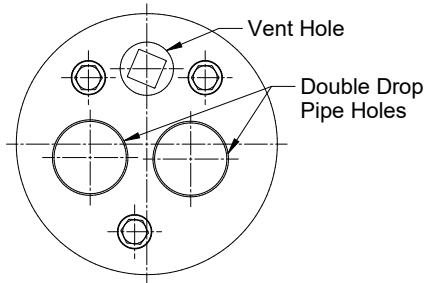
boshart.com ♦ blog.boshart.com



Heavy Duty, Single Hole Well Seals

Series	Well Casing I.D.	Drop Pipe Size	Drop Pipe Offset (in)	Top Plate Thickness (in)	Bottom Plate Thickness (in)	Conduit Connection (FPT)	Vent Size (FPT)	Load LBs (Max.)
WSS6010HD	6" to 6-1/4"	1"	Centered	3/8 (0.375)	3/16 (.1875)	1"	1/2"	9000
WSS6012HD	6" to 6-1/4"	1-1/4"	Centered	3/8 (0.375)	3/16 (.1875)	1"	1/2"	9000
WSS6015HD	6" to 6-1/4"	1-1/2"	Centered	3/8 (0.375)	3/16 (.1875)	1"	1/2"	9000
WSS6020HD	6" to 6-1/4"	2"	0.2	3/8 (0.375)	3/16 (.1875)	1"	1/2"	9000
WSS6030HD*	6" to 6-1/4"	3"	0.424	3/8 (0.375)	3/16 (.1875)	1"	1/2"	9000

WSS6030HD has raised supports, making it possible to incorporate a 1" cable hole



Double Holes Well Seals

Series	Well Casing I.D.	Drop Pipe Size	Top Plate Thickness (in)	Bottom Plate Thickness (in)	Conduit Connection (FPT)	Vent Size (FPT)	Load LBs (Max.)
WSS351210	3-1/2"	1-1/4" x 1"	1/2 (0.5)	3/16 (.1875)	N/A	1/2"	2100
WSS401010	4"	1" x 1"	3/16 (.1875)	12GA (.1046)	N/A	1/2"	1100
WSS501212	5"	1-1/4" x 1-1/4"	3/16 (.1875)	12GA (.1046)	N/A	1/2"	1100
WSS601512*	6"	1-1/2" x 1-1/4"	3/16 (.1875)	3/16 (.1875)	N/A	1/2"	1100
WSS621512	6-1/4"	1-1/2" x 1-1/4"	3/16 (.1875)	12GA (.1046)	N/A	1/2"	1100

WSS601512 has Blue powder coated steel plates finish

WELL SEAL ACCESSORIES:

Grommet Kit

- Includes a bushing, round gasket and slotted gasket

Part No.	Size
WS-GK-07	3/4"
WS-GK-10	1"



For more information on installation, adjustment, repair & operation, visit Boshart Knowledge Base at SUPPORT.BOSHART.COM



25 Whaley Avenue, PO Box 310, Milverton, ON CANADA N0K 1M0
Tel: 800-561-3164

boshart.com ♦ blog.boshart.com