

SSRVN SERIES STAINLESS STEEL RELIEF VALVES

APPLICATIONS:

- Recommended for all cold water system installation tanks
- It is recommended to use both Polytetrafluoroethylene (PTFE) tape and pipe thread compound for joining stainless steel threaded connections

FEATURES:

- Provides high corrosion resistance
- Protects against damage to piping a pressure tanks
- (+/-) 15% setting accuracy, field adjustments are NOT recommended

SPECIFICATIONS:

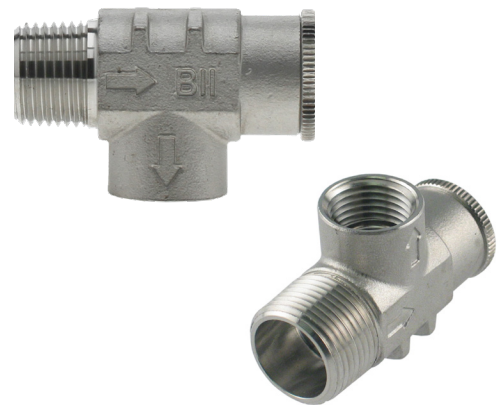
- Threads conform to ANSI/ASME B1.20.1
- Stainless steel body
- Stainless steel spring

CERTIFICATION:

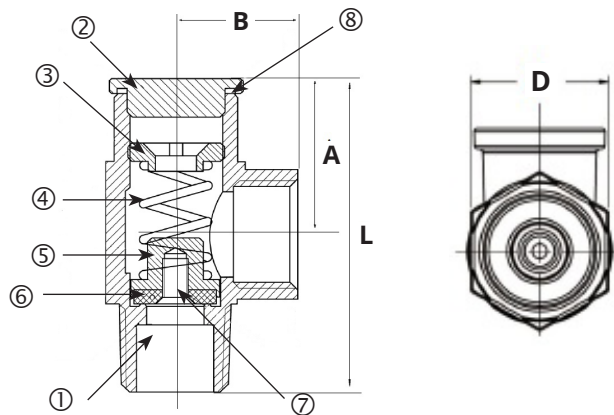
- NSF/ANSI Standard 372 Certified (Drinking Water System Components - Lead Content)

RATINGS:

- Max Operating Temperature: 248°F (120°C)



MATERIAL LIST		
Number	Description	Materials
1	Body	304 Stainless Steel
2	Cap	304 Stainless Steel
3	Plug	304 Stainless Steel
4	Spring	304 Stainless Steel
5	Disc	304 Stainless Steel
6	Seat	Nitrile Butadiene (NBR)
7	Screw	304 Stainless Steel
8	Packing	Polytetrafluoroethylene (PTFE)



DIMENSIONS												
Part No.	Description		Factory Pre-Set	A		B		L		D		Weight
	Inlet	Outlet		PSI	inches	mm	inches	mm	inches	mm	inches	
SSRVN05-075	1/2" MPT	1/2" FPT	75	1.20	30.50	0.94	23.80	2.39	60.58	0.94	24.00	150
SSRVN05-100	1/2" MPT	1/2" FPT	100	1.20	30.50	0.94	23.80	2.39	60.58	0.94	24.00	150
SSRVN07-075	3/4" MPT	1/2" FPT	75	1.20	30.50	0.94	23.80	2.45	62.27	0.94	24.00	165
SSRVN07-100	3/4" MPT	1/2" FPT	100	1.20	30.50	0.94	23.80	2.45	62.27	0.94	24.00	165

Pressure relief valves are recommended for all cold water system installations to protect against damage to piping and pressure tanks. Valves will be sold at factory pre-set PSI only. Accuracy +/- 15% of factory pre-set PSI. While field adjustments are not recommended the approximate operating range has been provided by the manufacturer. Any changes made to the pre-set pressure is entirely at the risk of the person/company who makes the adjustment. Any changes made should be thoroughly tested for accuracy at the time of installation. Neither the manufacturer or Boshart Industries will assume liability or responsibility caused as a result of adjusting the relief valve setting. If the pressure setting is adjusted, it will void any warranty or return of the product. Relief valves must be installed so that they drain to a floor drain, sump or other safe location with an air brake. If an outlet pipe is used then it must be at least the same diameter as the relief valve outlet.

For cold water use only. These valves are not T & P valves that are required with water heaters.



BOSHART
INDUSTRIES

25 Whaley Avenue, PO Box 310, Milverton, ON CANADA N0K 1M0
Tel: 800-561-3164

boshart.com ♦ blog.boshart.com