

CAST IRON FLAPPER FOOT VALVE

APPLICATIONS:

- Flapper foot valves prevent water from back flowing into the water source
- These valves use a flapper that closes when the pressure of the flow decreases, ensuring there is no backflow

FEATURES:

- Cast iron body and strainer
- Durable green paint finish [2" - 4"] or blue finish [6"] (Based on supplier)
- Hinged leather seat

SPECIFICATIONS:

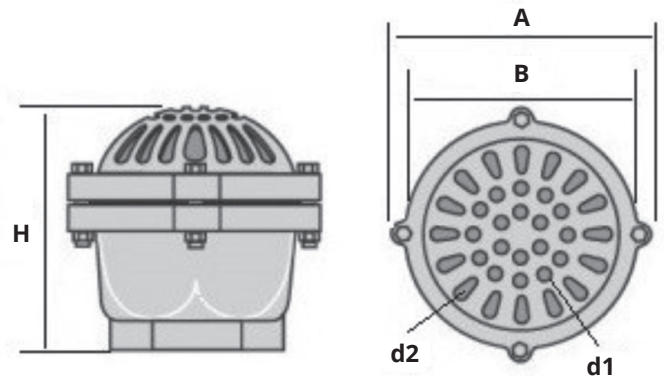
- Threads conform to ANSI/ASME B1.20.1
- Zinc plated steel bolt and nuts
- NSF/ANSI/CAN Standard 372 Certified (Drinking Water System Components - Health Effects)*
*6" model only

RATINGS:

- Max Pressure Rating: 250 PSI
- Max Temperature Rating: 180°F (82°C)
- Cracking Pressure: 0.5PSI



MATERIAL LIST	
Name	Percent of Composition
Cast Iron (ASTM A126)	
Iron (FE)	≥96.0
Carbon (C)	2.4-4.2
Silicone (Si)	1.0-3.0
Manganese (Mn)	0.15-1.0
Phosphorus (P)	0.02-1.0
Sulfur (S)	0.02-0.25



DIMENSIONS												
Part No.	Size	Hex Size	Valve Leather o.d.	d1 Hole Size	d2 Slot Size	A		B		H		Weight grams
						in	mm	in	mm	in	mm	
174964	2" FPT	3-5/16"	4-1/4"	3/8"	3/8" x 1-1/4"	5.25	133.35	5.75	146.05	5.25	133.35	2720
174966	3" FPT	4-9/16"	5"	3/8"	3/8" x 1-1/4"	6.25	158.75	7.63	193.67	7.19	182.56	5900
174967	4" FPT	5-9/16"	7-1/4"	3/8"	3/8" x 1-1/4"	7.69	195.26	9.06	230.18	8.88	225.42	9070
174969*	6" FPT	7-3/4"	9-3/4"	3/8"	3/8" x 1-1/4"	10.06	255.58	11.44	290.51	12.00	304.80	20410

For more information on installation, adjustment, repair & operation, visit Boshart Knowledge Base at

SUPPORT.BOSHART.COM



BOSHART
INDUSTRIES

25 Whaley Avenue, PO Box 310, Milverton, ON CANADA N0K 1M0
Tel: 800-561-3164

boshart.com ♦ blog.boshart.com