

14FHK-GSS SERIES GIANT FILTER HOUSING KIT

APPLICATIONS:

- Ideal for all applications listed for 'general purpose' filters (such as, but not limited to, food and beverage, water treatment, pharmaceuticals, oil and gas, appliances, wastewater and irrigation), as well as high temperature pressure and chemical applications where a plastic filter housing may not be compatible.
- Residential, Industrial, Commercial, Agricultural.
- Ideal for high temperature applications where higher flow capacity is required.
- Suitable for glycol filtration.

FEATURES:

- SS Filter Head Nut tightens sump to filter head to ensure a positive compression seal.
- Kit components include: 304 Stainless Steel 10" or 20" Giant Filter Housing, 304 SS Giant Filter Mounting Bracket with hardware, Two 304 SS Giant Filter Wrenches, Replacement Seal Kit (O-Ring and L Shaped Gasket).
- Accepts industry standard giant filter cartridges (not included).
- Mounting bosses molded in head for installation with mounting bracket, filter is supplied with 4 stainless steel 1/4"-20 UNC x 3/8" long hex head bolts.
- Filter bowls supplied with drain port -1/2" FPT.

SPECIFICATIONS:

- 304 Stainless Steel construction (SS alloys do not contain any lead 0.00% Pb)
- 1" FPT Connection (10" housing), 1-1/2" FPT Connection (20" housing)
- Fluoro Rubber (FPM, Viton®) O-Ring and L shaped gasket

RATINGS:

- Max Pressure Rating: 250 PSI (1723.69 kPa)
- Max Temperature Rating: 275°F (135°C)

IMPORTANT:

- If working pressure is consistently over 60 PSI, or possibility of pressure spikes/surges in water supply, the installation of a pressure regulator valve is highly recommended to protect your home's appliances and faucets against damage due to hydraulic shock/water hammer and preventable water damage due to leaking faucets.
- **WARNING!** To reduce the risk associated with the ingestion of contaminants: Do not use the filters with water that is microbiologically unsafe or of unknown quality without adequate disinfection before or after the system.

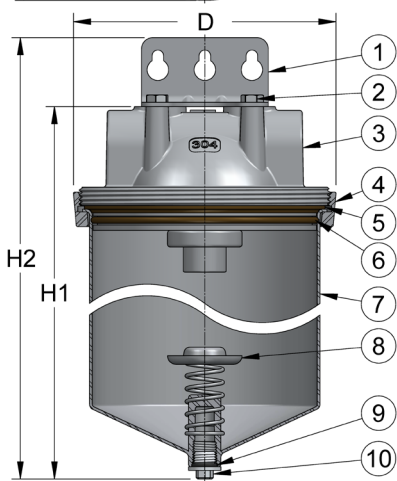
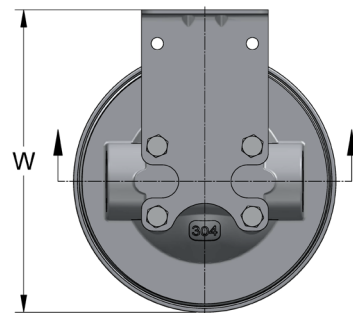


BOSHART
INDUSTRIES

25 Whaley Avenue, PO Box 310, Milverton, ON CANADA N0K 1M0
Tel: 800-561-3164

boshart.com ♦ blog.boshart.com

MATERIAL LIST		
Item No.	Description	Material
1	Mounting Bracket	304 Stainless Steel
2	1/4"-20 UNC X 3/8" Long Hex. Head Bolt	304 Stainless Steel
3	Filter Head	304 Stainless Steel
4	Filter Head Nut	304 Stainless Steel
5	L Shaped Gasket	FPM Rubber (Viton®)
6	Filter Bowl O-Ring - AS568 274	FPM Rubber (Viton®)
7	Filter Bowl	304 Stainless Steel
8	Spring Loaded Knife Seal (attached, not replaceable)	304 Stainless Steel
9	Drain Plug O-Ring - AS568 011	Nitrile Buna-N Rubber (NBR)
10	Drain Plug 1/2" NPS Male Thread	304 Stainless Steel



14FHK-GSS-1010



14FHK-GSS-2015

Alloy Composition 304 Stainless Steel	
Element	Min/Max %
Cr	18.0-20.0
Fe	64.995-74.0
Mn	2.00 Max
Ni	8.0-12.0

DIMENSIONS											
Part No.	Inlet/Outlet Connections	D		W		H1		H2		Weight	
		in	mm	in	mm	in	mm	in	mm	lbs	kg
14FHK-GSS-1010	1" FPT	5.69	144.6	6.58	167.1	15.03	381.7	16.53	419.8	8.32	3.77
14FHK-GSS-2015	1-1/2" FPT	5.69	144.6	6.58	167.1	25.66	651.7	27.16	689.8	12.39	5.62

BOSHART
INDUSTRIES

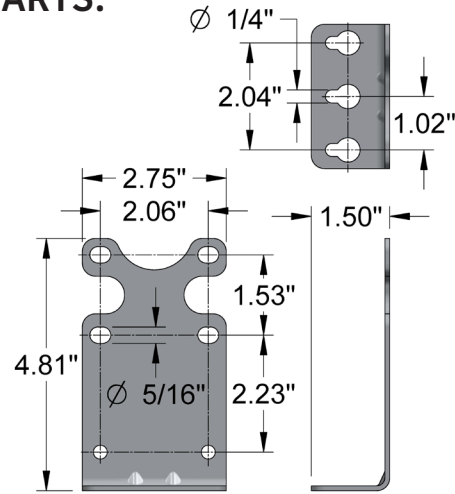
25 Whaley Avenue, PO Box 310, Milverton, ON CANADA N0K 1M0
Tel: 800-561-3164

boshart.com ♦ blog.boshart.com

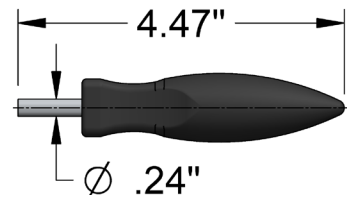
ACCESSORIES / AVAILABLE AS REPLACEMENT PARTS:

14FHPT-GSSMB - Giant Filter Mounting Bracket

- Comes with hardware (not pictured)



14FHPT-GSSFW - Giant Filter Wrenches



14FHPT-GSSRSK- Giant Replacement Seal Kit

- Filter Bowl O-Ring (AS568-274)
- L Shaped Gasket



NOTE: Drain plug with O-ring not available as replacement part. Filter bowl is threaded 1/2" FPT. Standard 1/2" MPT SS pipe plug is compatible as a replacement drain plug (SSH304P-05). Drain plug could be also be replaced with a purge valve.



SSH304P-05

CARTRIDGE COMPATIBILITY:

Cartridge Series Number	Type
14-GPPE	Pleated Polyester
14-GSP	Spun Polypropylene
14-GSWP	String Wound Polypropylene
14-GSWBC	High Temp String Wound Cotton
14-GCB	Carbon Block
14-GCCR	Carbon Briquette (Cyst Removal)
14-GGAC	Granular Activated Carbon
14-GCW	Powder Activated Carbon Wrap

*Giant Filter Cartridges that have a 4-1/2" diameter are compatible with the SS Giant FHK at the appropriate nominal length for the unit.

For more information on installation, adjustment, repair & operation, visit Boshart Knowledge Base at

SUPPORT.BOSHART.COM



25 Whaley Avenue, PO Box 310, Milverton, ON CANADA N0K 1M0
Tel: 800-561-3164

boshart.com ♦ blog.boshart.com