

0825NL SERIES NO LEAD FORGED FULL PORT BRASS BALL VALVE (THREADED)

FEATURES:

- Full port
- Forged brass body
- Blow-out proof stem

SPECIFICATION:

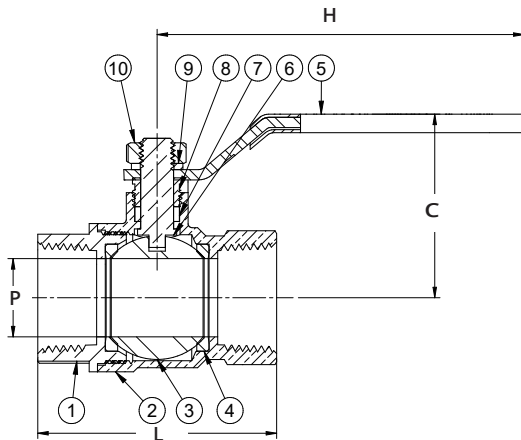
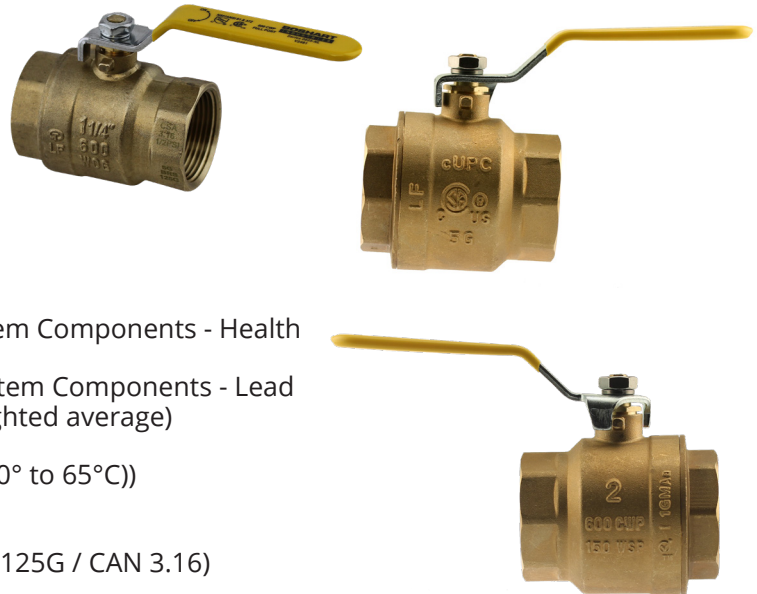
- Threads conform to ANSI / ASME B1.20.1
- Solid Stainless Steel Ball
- Zinc plated steel handle with yellow plastic sleeve

CERTIFICATION:

- NSF/ANSI Standard 61 Certified (Drinking Water System Components - Health Effects)
- NSF/ANSI Standard 372 Certified (Drinking Water System Components - Lead Content - No lead (NL) test criteria <0.25% Pb by weighted average)
- cUPC IAMPO/ANSI Z1157 Certified
- CSA listed to the following standards (-4° to 149°F (-20° to 65°C))
 - ANSI Z21.15 & CGA 9.1: 1/2 PSIG (1/2 PSI)
 - ASME B16.44 & CGA/CR91-002: 5 PSIG (5G)
 - ASME B16.38 & CAN/CGA 3.16 : 125 PSIG (BRS125G / CAN 3.16)

RATINGS:

- Working Temperature: -20° to 300°F (-28° to 149°C)
- Rated 600 PSI CWP Cold Working Pressure is an indication of the pressure rating for valves at a temperature range of up to +100°F (37°C)



MATERIAL LIST		
Part No.	Part Name	Material
1	End Cap	C46500 No Lead Brass
2	Body	C46500 No Lead Brass
3	Ball	SS304 Stainless Steel
4	Seal seat	PTFE
5	Handle + Sleeve	Zinc Plated Steel + PVC
6	Stem	C37700 Brass
7	Packing	PTFE
8	Packing Nut	C37700 Brass
9	Washer	Zinc Plated Steel
10	Handle Nut	Zinc Plated Steel

DIMENSIONS

Part No.	Description	P		C		L		H		Weight	
		in	mm	in	mm	in	mm	in	mm	lbs	grams
0825-02NL	1/4" FPT	0.315	8.0	1.594	40.5	1.575	40.0	3.465	88.0	0.240	109
0825-03NL	3/8" FPT	0.394	10.0	1.638	41.6	1.669	42.4	3.465	88.0	0.278	126
0825-05NL	1/2" FPT	0.524	13.3	1.661	42.2	1.890	48.0	3.465	88.0	0.348	158
0825-07NL	3/4" FPT	0.748	19.0	1.819	46.2	2.283	58.0	3.465	88.0	0.562	255
0825-10NL	1" FPT	0.984	25.0	2.075	52.7	2.795	71.0	4.291	109.0	0.992	450
0825-12NL	1-1/4" FPT	1.240	31.5	2.252	57.2	3.150	80.0	4.291	109.0	1.292	586
0825-15NL	1-1/2" FPT	1.457	37.0	2.579	65.5	3.437	87.3	5.630	143.0	1.912	868
0825-20NL	2" FPT	1.941	49.3	2.925	74.3	4.016	102.0	6.102	155.0	3.230	1465

BOSHART
INDUSTRIES

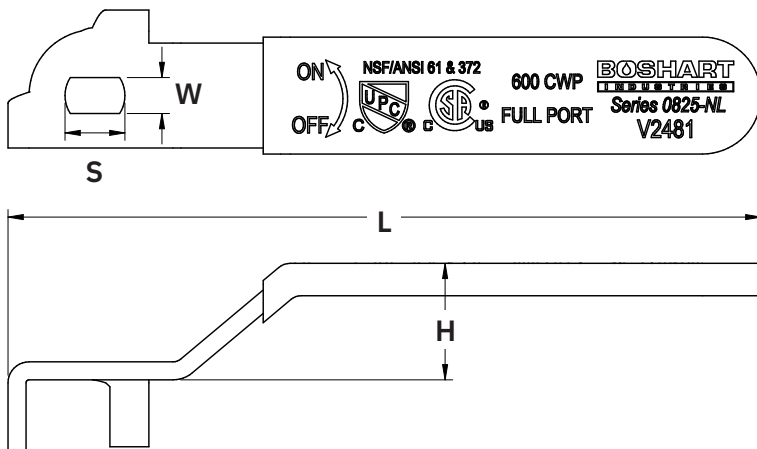
25 Whaley Avenue, PO Box 310, Milverton, ON CANADA N0K 1M0
Tel: 800-561-3164

boshart.com ♦ blog.boshart.com

REPLACEMENT HANDLES:

- Each kit, including one handle, one nut, and one washer, is individually packaged in a bag

REPLACEMENT HANDLES											Zinc Plated Steel Locknut	Zinc Plated Steel Split Lock Washer
Valve Part No.	Size (FPT)	Replacement Handle Kit Part No.	L		H		S		W			
			in	mm	in	mm	in	mm	in	mm		
0825-02NL	1/4"	RP0825NL-H1V2481	3.94	100.08	0.63	16.00	0.32	8.13	0.20	5.08	M8 x 1.25	M8
0825-03NL	3/8"											
0825-05NL	1/2"	RP0825NL-H2V2481	3.94	100.08	0.63	16.00	0.32	8.13	0.20	5.08		
0825-07NL	3/4"											
0825-10NL	1"	RP0825NL-H3V2481	4.94	125.48	0.77	19.56	0.39	9.91	0.24	6.10		
0825-12NL	1-1/4"											
0825-15NL	1-1/2"	RP0825NL-H4V2481	6.34	161.04	0.73	18.54	0.47	11.94	0.32	8.13	M12 x 1.75	M12
0825-20NL	2"	RP0825NL-H5V2481	6.82	173.23	0.76	19.30	0.47	11.94	0.32	8.13		



For more information on installation, adjustment, repair & operation, visit Boshart Knowledge Base at

SUPPORT.BOSHART.COM



BOSHART
INDUSTRIES

25 Whaley Avenue, PO Box 310, Milverton, ON CANADA N0K 1M0
Tel: 800-561-3164

boshart.com ♦ blog.boshart.com