

0825CNL SERIES NO LEAD FORGED FULL PORT BRASS BALL VALVE (CxC)

FEATURES:

- Full port
- Forged brass body
- Blow-out proof stem

SPECIFICATION:

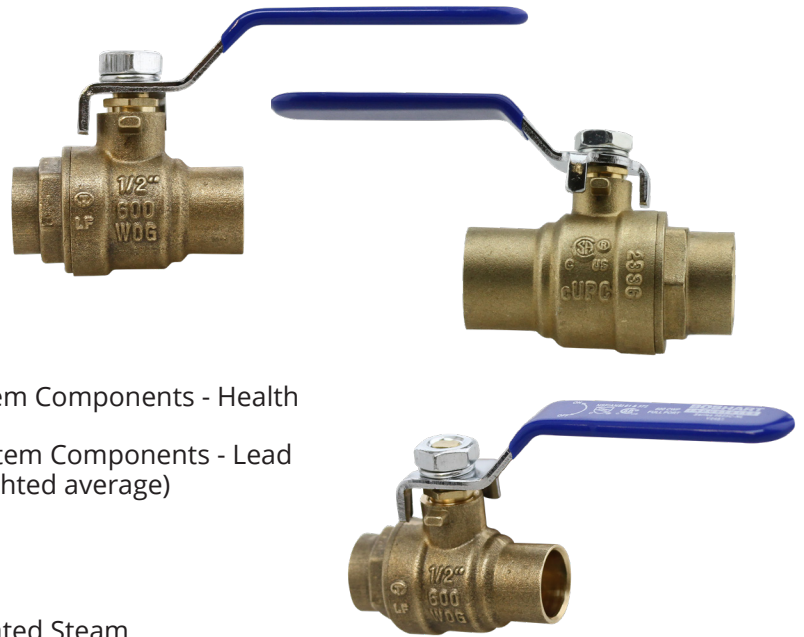
- Solder ends comply with ANSI B16.22
- Solid Stainless Steel Ball
- Zinc plated steel handle with blue plastic sleeve

CERTIFICATION:

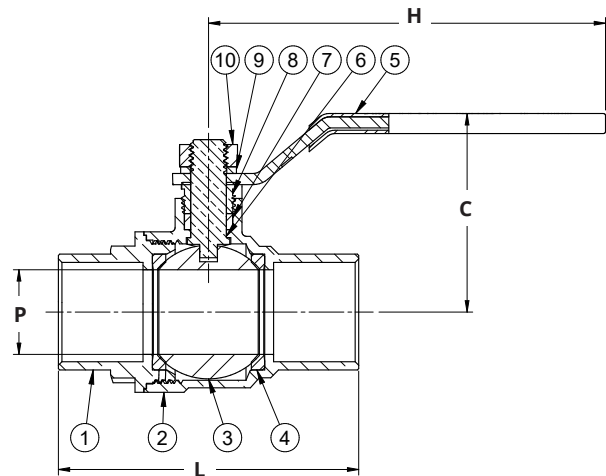
- NSF/ANSI Standard 61 Certified (Drinking Water System Components - Health Effects)
- NSF/ANSI Standard 372 Certified (Drinking Water System Components - Lead Content - No lead (NL) test criteria <0.25% Pb by weighted average)
- cUPC IAMPO/ANSI Z1157 Certified

RATINGS:

- Temperature Range: -20 to 300°F (-28 to 149°C)
- WSP (Working Steam Pressure) Rating: 150 PSI Saturated Steam
- Rated 600 PSI CWP Cold Working Pressure is an indication of the pressure rating for valves at a temperature range of up to +100°F (37°C)



MATERIAL LIST		
Part No.	Part Name	Material
1	End Cap	C46500 No Lead Brass
2	Body	C46500 No Lead Brass
3	Ball	SS304 Stainless Steel
4	Seal seat	PTFE
5	Handle + Sleeve	Zinc Plated Steel + PVC
6	Stem	C37700 Brass
7	Packing	PTFE
8	Packing Nut	C37700 Brass
9	Washer	Zinc Plated Steel
10	Handle Nut	Zinc Plated Steel



		DIMENSIONS									
Part No.	Description	P		C		L		H		Weight	
		in	mm	in	mm	in	mm	in	mm	lbs	grams
0825C-05NL	1/2 CxC	0.524	13.3	1.661	42.2	1.945	49.4	3.465	88	0.326	148
0825C-07NL	3/4 CxC	0.748	19	1.819	46.2	2.654	67.4	3.465	88	0.529	240
0825C-10NL	1 CxC	0.984	25	2.075	52.7	3.315	84.2	4.291	109	0.917	416
0825C-12NL	1-1/4 CxC	1.240	31.5	2.252	57.2	3.740	95	4.291	109	1.263	573
0825C-15NL	1-1/2 CxC	1.457	37	2.579	65.5	4.252	108	5.630	143	1.863	845
0825C-20NL	2 CxC	1.941	49.3	2.925	74.3	5.276	134	6.102	155	3.444	1562

BOSHART
INDUSTRIES

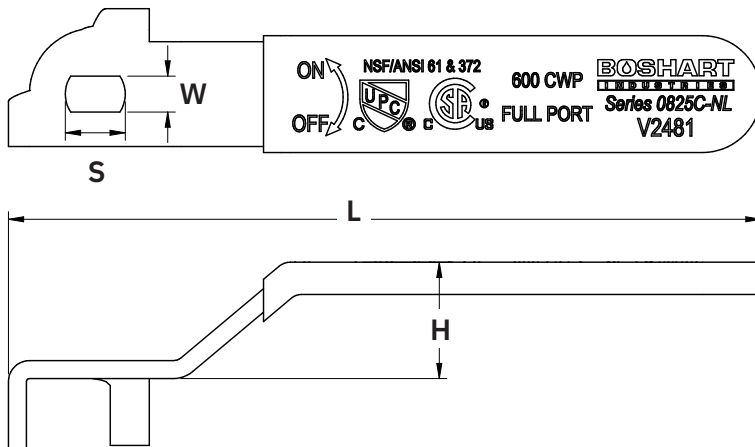
25 Whaley Avenue, PO Box 310, Milverton, ON CANADA N0K 1M0
Tel: 800-561-3164

boshart.com ♦ blog.boshart.com

REPLACEMENT HANDLES:

- Each kit, including one handle, one nut, and one washer, is individually packaged in a bag

REPLACEMENT HANDLES												
Valve Part No.	Size (C x C)	Replacment Handle Kit Part No.	L		H		S		W		Zinc Plated Steel Locknut	Zinc Plated Split Washer
			in	mm	in	mm	in	mm	in	mm		
0825C-05NL	1/2"	RP0825CNL-H1V2481	3.94	100.08	0.63	16.00	0.32	8.13	0.20	5.08	M8 x 1.25	M8
0825C-07NL	3/4"											
0825C-10NL	1"	RP0825CNL-H2V2481	4.94	125.48	0.77	19.56	0.39	9.91	0.24	6.10		
0825C-12NL	1-1/4"											
0825C-15NL	1-1/2"	RP0825CNL-H3V2481	6.34	161.04	0.73	18.54	0.47	11.94	0.32	8.13	M12 x 1.75	M12
0825C-20NL	2"	RP0825CNL-H4V2481	6.82	173.23	0.76	19.30	0.47	11.94	0.32	8.13		



For more information on installation, adjustment, repair & operation, visit Boshart Knowledge Base at

SUPPORT.BOSHART.COM



BOSHART
INDUSTRIES

25 Whaley Avenue, PO Box 310, Milverton, ON CANADA N0K 1M0
Tel: 800-561-3164

boshart.com ♦ blog.boshart.com