

SSPF SERIES - 304 STAINLESS STEEL PUSH-FIT FITTINGS

FEATURES:

- Designed for use on copper, CPVC, PEX, PE-RT & HDPE piping in plumbing hydronic heating systems
- Approved for use in both behind the wall and underground applications. Fittings must be properly wrapped to prevent corrosion in underground applications*
- Suitable for potable and non-potable water applications
- Eliminates the need for soldering, crimping or solvent welding
- Ideal for wet, hazardous, and dry repairs in hard to access locations or where open flame could be a fire hazard for soldering
- Plastic disconnect clip is used to release the gripper ring, making for easy disconnection
- Fittings are supplied complete with stiffeners for PEX pipe installed in the fitting. Can easily be removed for copper installations

*It is recommended that a continuous length of PEX pipe without any fittings/connections be used for below ground or a cement slab installation. Best practice is to have the termination fittings on each end of PEX above ground. When direct burial of a fitting cannot be avoided, the fitting must be properly wrapped with a silicone wrap to avoid corrosion due to aggressive soil conditions. Failure to properly wrap the fitting will void the manufacturers warranty.

SPECIFICATIONS:

- For CTS (copper tube size) O.D. Sizes: 1/2" (0.625"), 3/4" (0.875"), and 1" (1.125")
- 304 stainless steel fitting body and retaining collar

RATINGS:

- Maximum pressure rating: 300 PSI (2068 kPa)
- Maximum temperature rating: 200 °F (93 °C)

CERTIFICATIONS:

- In compliance with cUPC® (Uniform Plumbing Code), & National Plumbing Code of Canada to Standard ASSE 1061 (Performance Requirements for Push-Fit Fittings)
- NSF/ANSI Standard 61 Certified (Drinking Water System Components - Health Effects)
- NSF/ANSI Standard 372 Certified (Drinking Water System Components - Lead Content) - Stainless steel alloys do not contain any lead, 0.00% Pb)



MATERIAL LIST	
Element Name	Percent of Composition
304 Stainless Steel	
Iron (Fe)	64.0-72.0
Carbon (C)	0.08 max
Silicone (Si)	1.00 max
Manganese (Mn)	2.00 max
Phosphorus (P)	0.05 max
Sulfur (S)	0.04 max
Chromium (Cr)	18.0-20.0
Nickel (Ni)	8.0-11.0

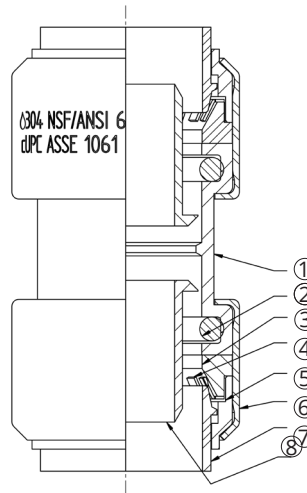


BOSHART
INDUSTRIES

25 Whaley Avenue, PO Box 310, Milverton, ON CANADA N0K 1M0
Tel: 800-561-3164

boshart.com ♦ blog.boshart.com

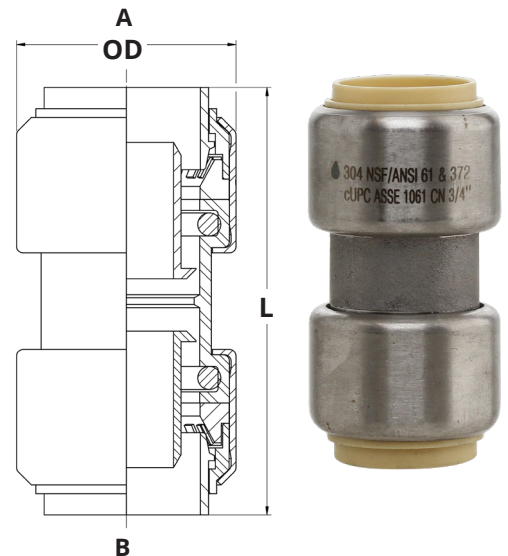
PARTS LIST		
Item No.	Part Name	Material
1	Fitting Body	304 Stainless Steel
2	O-Ring	Ethylene Propylene Diene Terpolymer (EPDM)
3	Grip Ring Support	Polyoxymethylene (POM)
4	Grip Ring	301 Stainless Steel
5	Support Sleeve	POM
6	Retaining Collar	304 Stainless Steel
7	Release Collar	POM
8	Stiffener	Polysulfone



PIPE INSERTION DEPTH		
Fitting Size	in	mm
1/2"	1	25.4
3/4"	1-1/4	31.8
1"	1-5/16	33.3

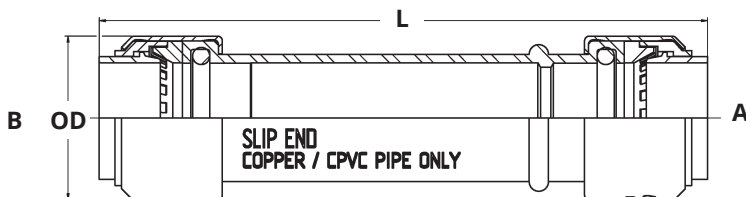
SSPF-C SERIES - SS PUSH-FIT COUPLING

DIMENSIONS								
Part No.	Nominal Pipe Size		OD		L		Weight	
	A (CTS)	B (CTS)	in	mm	in	mm	lbs	grams
SSPF-C05	1/2"	1/2"	1.02	26.0	2.06	52.2	0.119	54.0
SSPF-C0705	3/4"	1/2"	1.32	33.5	2.38	60.5	0.172	78.0
SSPF-C07	3/4"	3/4"	1.32	33.5	2.58	65.5	0.222	100.7
SSPF-C1007	1"	3/4"	1.65	42.0	2.64	67.0	0.279	126.7
SSPF-C10	1"	1"	1.65	42.0	2.70	68.6	0.353	160.0



SSPF-RC SERIES - SS PUSH-FIT REPAIR COUPLING

Repair Couplings allow the removal of up to a maximum section of 2" of damaged pipe to be removed. Only use for copper / CPVC pipe



DIMENSIONS								
Part No.	Nominal Pipe Size		OD		L		Weight	
	A (CTS)	B (CTS)	in	mm	in	mm	lbs	grams
SSPF-RC05	1/2"	1/2"	1.02	26.0	4.35	110.6	0.225	102.2
SSPF-RC07	3/4"	3/4"	1.32	33.5	4.93	125.3	0.373	169.1

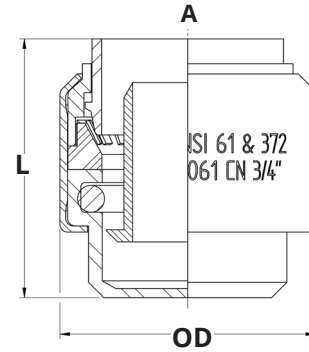
BOSHART
INDUSTRIES

25 Whaley Avenue, PO Box 310, Milverton, ON CANADA N0K 1M0
Tel: 800-561-3164

boshart.com ♦ blog.boshart.com

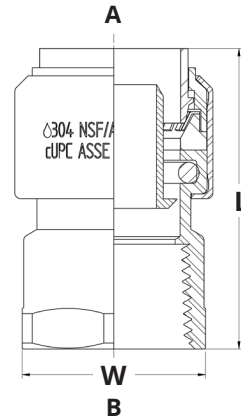
SSPF-CA SERIES - SS PUSH-FIT CAP

DIMENSIONS								
Part No.	Nominal Pipe Size		OD		L		Weight	
	A (CTS)	in	mm	in	mm	lbs	grams	
SSPF-CA05	1/2"	1.02	26.0	1.10	27.9	0.069	31.4	
SSPF-CA07	3/4"	1.32	33.5	1.34	33.9	0.110	50.0	
SSPF-CA10	1"	1.65	42.0	1.41	35.8	0.185	84.0	



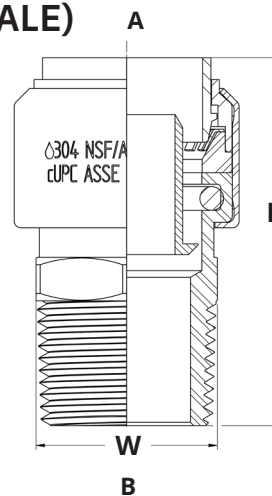
SSPF-FA SERIES - SS ADAPTER PUSH-FIT X FPT (FEMALE)

DIMENSIONS								
Part No.	Nominal Pipe Size		W		L		Weight	
	A (CTS)	B (FPT)	in	mm	in	mm	lbs	grams
SSPF-FA0507	1/2"	3/4"	1.22	31.0	1.79	45.4	0.151	68.7
SSPF-FA05	1/2"	1/2"	1.02	26.0	1.73	43.9	0.115	52.0
SSPF-FA07	3/4"	3/4"	1.32	33.5	2.00	50.7	0.197	89.3
SSPF-FA10	1"	1"	1.65	42.0	2.21	56.0	0.293	132.7



SSPF-MA SERIES - SS ADAPTER PUSH-FIT X MPT (MALE)

DIMENSIONS								
Part No.	Nominal Pipe Size		W		L		Weight	
	A (CTS)	B (MPT)	in	mm	in	mm	lbs	grams
SSPF-MA0507	1/2"	3/4"	1.02	26.0	1.99	50.5	0.159	72.0
SSPF-MA05	1/2"	1/2"	1.02	26.0	1.96	49.7	0.118	53.3
SSPF-MA07	3/4"	3/4"	1.32	33.5	2.16	54.8	0.190	86.0
SSPF-MA10	1"	1"	1.65	42.0	2.39	60.8	0.316	143.3



BOSHART
INDUSTRIES

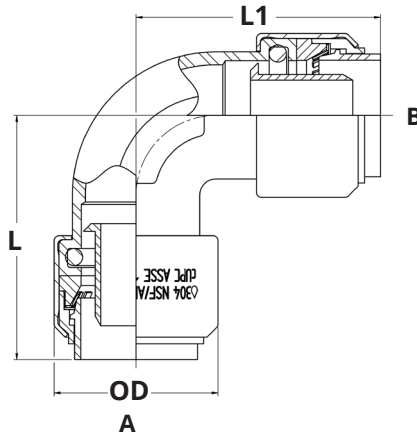
25 Whaley Avenue, PO Box 310, Milverton, ON CANADA N0K 1M0
Tel: 800-561-3164

boshart.com ♦ blog.boshart.com

© 2020 Boshart Industries Inc. All Rights Reserved.

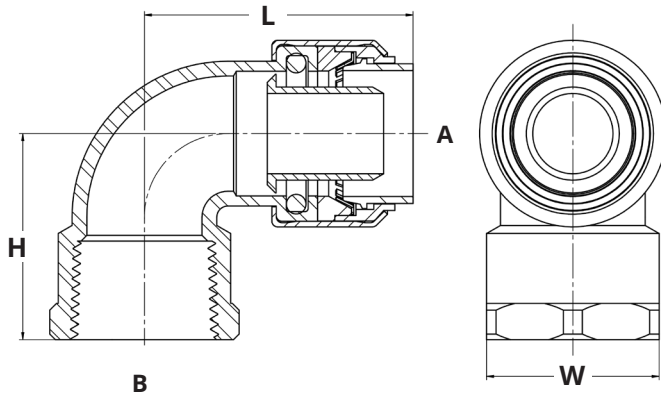
BII-SSPF-FA,-MA,-CA-0924(2898)

SSPF-E SERIES - SS PUSH-FIT 90° ELBOW



DIMENSIONS										
Part No.	Nominal Pipe Size		OD		L		L1		Weight	
	A (CTS)	B (CTS)	in	mm	in	mm	in	mm	lbs	grams
SSPF-E05	1/2"	1/2"	1.02	26.0	1.55	39.4	1.55	39.4	0.170	77.3
SSPF-E0705	3/4"	1/2"	1.32	33.5	1.96	49.8	1.72	43.6	0.255	115.7
SSPF-E07	3/4"	3/4"	1.32	33.5	1.97	49.9	1.97	49.9	0.309	140.0
SSPF-E10	1"	1"	1.65	42.0	2.21	56.3	2.10	53.3	0.509	230.7

SSPF-FE SERIES - SS 90° ELBOW PUSH-FIT X FPT (FEMALE)



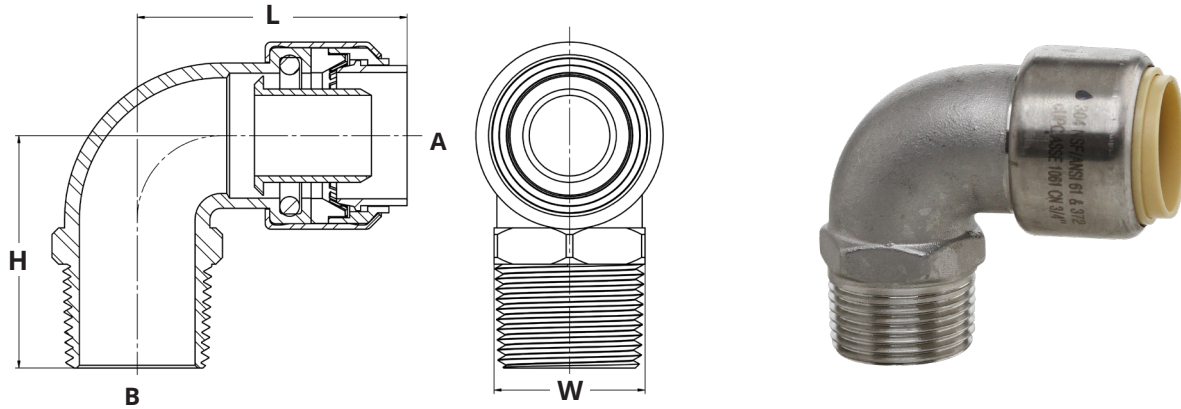
DIMENSIONS										
Part No.	Nominal Pipe Size		W		L		H		Weight	
	A (CTS)	B (FPT)	in	mm	in	mm	in	mm	lbs	grams
SSPF-FE05	1/2"	1/2"	0.98	25.0	1.55	39.4	1.34	34.0	0.176	80.0
SSPF-FE07	3/4"	3/4"	1.22	31.0	1.90	48.2	1.46	37.0	0.298	135.3



25 Whaley Avenue, PO Box 310, Milverton, ON CANADA N0K 1M0
Tel: 800-561-3164

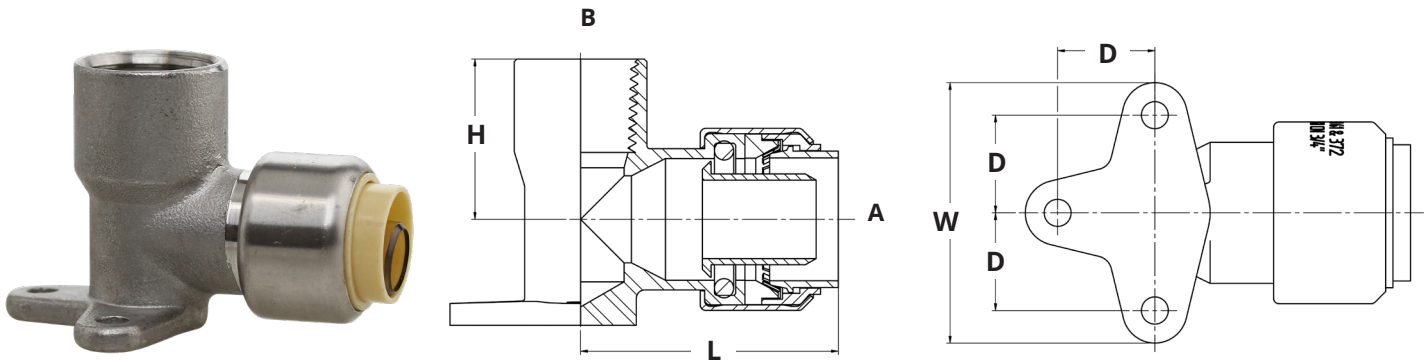
boshart.com ♦ blog.boshart.com

SSPF-ME SERIES - SS 90° ELBOW PUSH-FIT X MPT (MALE)



DIMENSIONS										
Part No.	Nominal Pipe Size		W		L		H		Weight	
	A (CTS)	B (MPT)	in	mm	in	mm	in	mm	lbs	grams
SSPF-ME05	1/2"	1/2"	0.86	21.8	1.55	39.4	1.48	37.6	0.172	78.1
SSPF-ME07	3/4"	3/4"	1.06	27.0	1.90	48.2	1.64	41.6	0.272	123.3

SSPF-DE SERIES - SS DROPEAR 90° ELBOW PUSH-FIT X FPT (FEMALE)



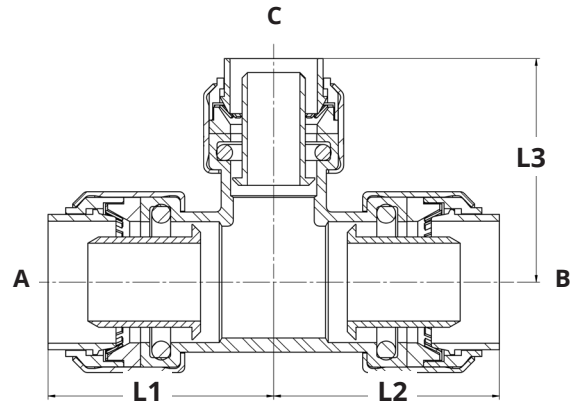
DIMENSIONS												
Part No.	Nominal Pipe Size		L		H		W		D		Weight	
	A (CTS)	B (FPT)	in	mm	in	mm	in	mm	in	mm	lbs	grams
SSPF-DE05	1/2"	1/2"	1.53	38.9	1.02	26.0	1.89	48.0	0.71	18.0	0.226	102.7
SSPF-DE0705	3/4"	1/2"	1.86	47.3	1.16	29.5	1.89	48.0	0.71	18.0	0.306	138.7

BOSHART
INDUSTRIES

25 Whaley Avenue, PO Box 310, Milverton, ON CANADA N0K 1M0
Tel: 800-561-3164

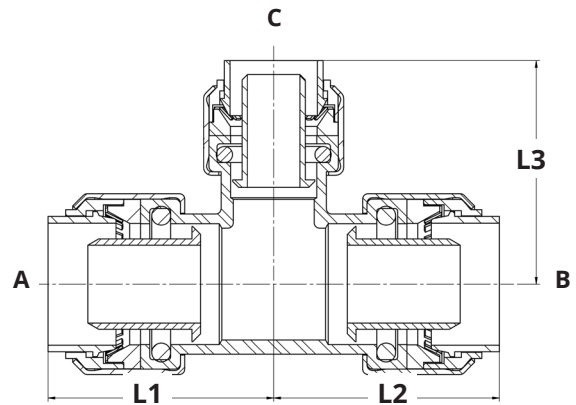
boshart.com ♦ blog.boshart.com

SSPF-T SERIES - SS PUSH-FIT TEE



DIMENSIONS											
Part No.	Nominal Pipe Size			L1		L2		L3		Weight	
	A (CTS)	B (CTS)	C (CTS)	in	mm	in	mm	in	mm	lbs	grams
SSPF-T05	1/2"	1/2"	1/2"	1.47	37.4	1.47	37.4	1.47	37.4	0.232	105.3
SSPF-T07	3/4"	3/4"	3/4"	1.79	45.4	1.79	45.4	1.79	45.4	0.392	178.0
SSPF-T10	1"	1"	1"	2.06	52.3	2.06	52.3	2.06	52.3	0.672	304.7

SSPF-T SERIES - SS PUSH-FIT REDUCER TEE



DIMENSIONS											
Part No.	Nominal Pipe Size			L1		L2		L3		Weight	
	A (CTS)	B (CTS)	C (CTS)	in	mm	in	mm	in	mm	lbs	grams
SSPF-T070505	3/4"	1/2"	1/2"	1.67	42.3	1.47	37.4	1.61	40.9	0.303	137.7
SSPF-T070507	3/4"	1/2"	3/4"	1.78	45.3	1.62	41.1	1.78	45.3	0.375	170.5
SSPF-T070705	3/4"	3/4"	1/2"	1.65	41.8	1.65	41.8	1.63	41.4	0.356	161.7
SSPF-T101007	1"	1"	3/4"	1.86	47.3	1.86	47.3	1.98	50.3	0.562	254.7

BOSHART
INDUSTRIES

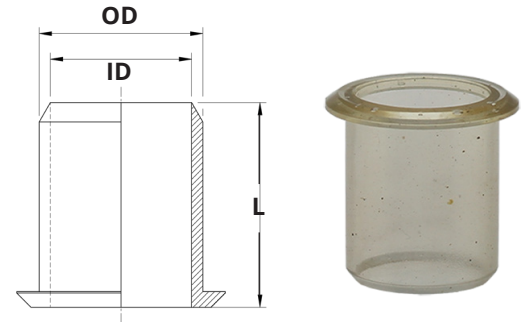
25 Whaley Avenue, PO Box 310, Milverton, ON CANADA N0K 1M0
Tel: 800-561-3164

boshart.com ♦ blog.boshart.com

PUSH FIT REPLACEMENT PARTS AND TOOLS:

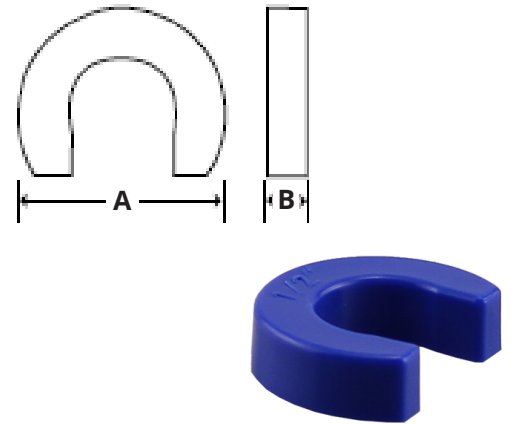
PF-S SERIES - STIFFENER

Part No.	Nominal Pipe Size (CTS)	OD		ID		L		Weight	
		in	mm	in	mm	in	mm	lbs	grams
PF-S05	1/2"	0.46	11.7	0.38	9.65	0.82	20.8	0.002	0.907
PF-S07	3/4"	0.66	16.8	0.57	14.5	0.82	20.8	0.003	1.360
PF-S10	1"	0.85	21.6	0.77	19.6	0.82	20.8	0.005	2.268



PF-DC SERIES - DISCONNECT CLIP

Part No.	Nominal Pipe Size (CTS)	A		B		Weight	
		in	mm	in	mm	lb	grams
PF-DC05	1/2"	1.21	30.7	0.31	7.87	0.01	4.54
PF-DC07	3/4"	1.69	42.9	0.37	9.40	0.01	4.54
PF-DC10	1"	1.95	49.5	0.41	10.4	0.02	9.07



For more information on installation, adjustment, repair & operation, visit Boshart Knowledge Base at

[SUPPORT.BOSHART.COM](https://support.boshart.com)



BOSHART
INDUSTRIES

© 2020 Boshart Industries Inc. All Rights Reserved.

25 Whaley Avenue, PO Box 310, Milverton, ON CANADA N0K 1M0
Tel: 800-561-3164

boshart.com ♦ blog.boshart.com

BII-SSPF-PF-0924(2375)