

0818NL SERIES - NO LEAD BRASS FULL PORT GATE VALVE (THREADED)

FEATURES:

- Full Port
- Cast no lead brass body
- Non-rising stem
- Black cast hand wheel

SPECIFICATIONS:

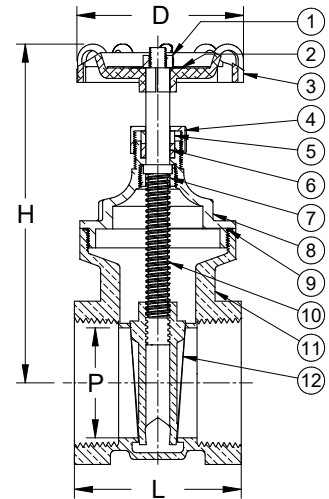
- Threads conform to ANSI / ASME B1.20.1

CERTIFICATION:

- NSF/ANSI/CAN Standard 61 Certified (Drinking Water System Components - Health Effects)
- NSF/ANSI/CAN Standard 372 Certified (Drinking Water System Components - Lead Content - NL test criteria <0.25% Pb by weighted average)

RATINGS:

- Max Pressure Rating: 200 PSI CWP
- Max temp rating: 150°F (66°C) See page 2 for Temperature/Working Pressure Chart
- CWP - Cold Working Pressure, is an indication of the pressure rating for valves at a temperature of up to +100°F (37°C)



MATERIAL LIST

Part No.	Part Name	Material
1	Wheel Nut	Brass Plated Steel
2	Name Plate	Aluminium
3	Hand Wheel	Black powder coated cast iron
4	Packing Nut	C89550 NL Brass
5	Gland Ring	C89550 NL Brass
6	Gland Packing	PTFE
7	Lock Nut	C89550 NL Brass
8	Bonnet	C89550 NL Brass
9	Bonnet Packing	Fibre
10	Stem	C89550 NL Brass
11	Body	C89550 NL Brass
12	Disc	C89550 NL Brass



DIMENSIONS

Part No.	Description	Cv	P		D		L		H		Weight	
			inches	mm	inches	mm	inches	mm	inches	mm	grams	lbs
0818-02NL	1/4" FPT	3.96	0.43	11.00	2.09	53.00	1.71	43.50	2.91	74.00	285	0.628
0818-03NL	3/8" FPT	7.37	0.47	12.00	2.09	53.00	1.71	43.50	2.91	74.00	277	0.611
0818-05NL	1/2" FPT	9.75	0.53	13.50	2.09	53.00	1.71	43.50	2.91	74.00	280	0.617
0818-07NL	3/4" FPT	18.84	0.75	19.00	2.13	54.00	1.81	46.00	3.31	84.00	395	0.871
0818-10NL	1" FPT	31.82	0.98	25.00	2.48	63.00	2.13	54.00	3.90	99.00	575	1.268
0818-12NL	1-1/4" FPT	48.83	1.26	32.00	2.72	69.00	2.24	57.00	4.61	117.00	800	1.764
0818-15NL	1-1/2" FPT	74.65	1.50	38.00	3.15	80.00	2.44	62.00	5.08	129.00	990	2.183
0818-20NL	2" FPT	86.44	1.93	49.00	3.52	89.50	2.70	68.50	5.98	152.00	1525	3.362
0818-25NL	2-1/2" FPT	106.67	2.44	62.00	3.98	101.00	3.70	94.00	7.87	200.00	2895	6.382
0818-30NL	3" FPT	158.85	2.95	75.00	4.37	111.00	4.02	102.00	8.82	224.00	3705	8.168
0818-40NL	4" FPT	173.44	3.62	92.00	5.00	127.00	4.53	115.00	9.88	251.00	5930	13.073

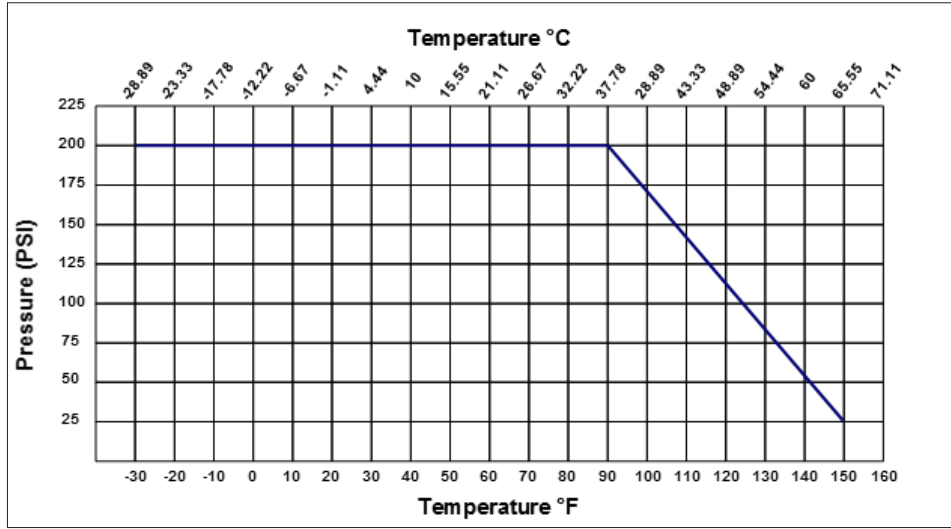
The flow Coefficient (Cv) is the number of U.S. gallons that can pass through a valve when it is in the fully opened position at a pressure drop of 1 PSI. Testing is typically done by running water (specific gravity of 1.0 centistoke viscosity) at 60°F (°C).

BOSHART
INDUSTRIES

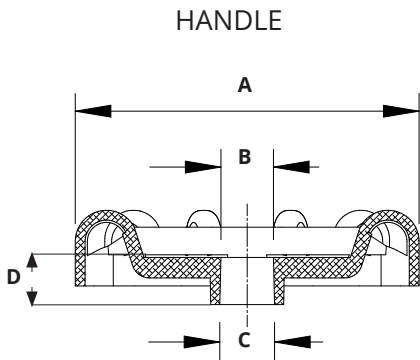
25 Whaley Avenue, PO Box 310, Milverton, ON CANADA N0K 1M0
Tel: 800-561-3164

boshart.com ♦ blog.boshart.com

TEMPERATURE/PRESSURE CHART:



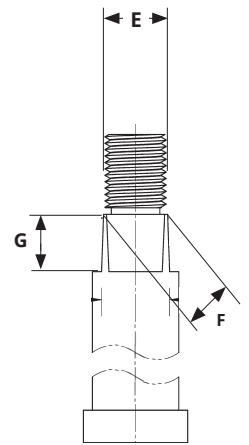
REPLACEMENT HAND WHEELS:



0890GV-02



STEM
(Not available as replacement part. Table is for dimensional reference only)



DIMENSIONS															
Part No.	Valve Size (FPT)	Handle								Stem					
		A		B		C		D		E		F		G	
		in	mm	in	mm	in	mm	in	mm	in	mm	in	mm	in	mm
0890GV-1	1/4" to 3/4"	2.126	54	0.252	6.4	0.287	7.3	0.354	9	0.252	6.4	0.284	7.5	0.295	7.5
0890GV-2	1"	2.480	63	0.264	6.7	0.311	7.9	0.354	9	0.272	6.9	0.307	7.8	0.256	6.5
0890GV-3	1-1/4"	2.717	69	0.331	8.4	0.378	9.6	0.453	11.5	0.319	8.1	0.374	9.5	0.394	10
0890GV-4	1-1/2"	3.150	80	0.331	8.4	0.378	9.6	0.453	11.5	0.319	8.1	0.374	9.5	0.394	10
0890GV-5	2"	3.524	89.5	0.378	9.6	0.421	10.7	0.492	12.5	0.374	9.5	0.413	10.5	0.394	10
0890GV-6	2-1/2"	3.976	101	0.417	10.6	0.437	11.1	0.551	14	0.390	9.9	0.417	10.6	0.394	10
0890GV-7	3"	4.370	111	0.457	11.6	0.484	12.3	0.591	15	0.437	11.1	0.465	11.8	0.394	10
0890GV-8	4"	4.843	123	0.480	12.2	0.520	13.2	0.591	15	0.461	12.7	0.500	12.7	0.492	12

For more information on installation, adjustment, repair & operation, visit Boshart Knowledge Base at SUPPORT.BOSHART.COM



25 Whaley Avenue, PO Box 310, Milverton, ON CANADA N0K 1M0
Tel: 800-561-3164

boshart.com ♦ blog.boshart.com