

PQC SERIES - PLASTIC QUICK CONNECT FITTINGS

APPLICATIONS:

- Designed for use in water, food, beverage, and pneumatic systems
- For use with PVC, polyethylene, copper, CPVC and PEX tubing. (Not recommended for repeated use on copper, not for use with hard metal or chrome plated tubes)
- Common applications include water dispensing, filtering systems, food and beverage systems, misting, and pneumatic (air) systems
- Provide a quick and convenient assembly solution, saving time and expense. No crimp tools, solvents, or flame are required

FEATURES:

- Manufactured with acetal which is safe and non-toxic
- Acetal copolymer fittings are highly durable and resistant to fatigue and creep
- Wide range of fitting configurations are available for 1/4" and 3/8" outer diameter (O.D.) Fittings are removable and re-usable. The oval collet design provides an easy grip to assemble and disassemble without damage to the tubing or fittings
- Tube Support (Stiffener) available for soft tubing and hot liquid application (Sold separately)
- Locking Clips available as an accessory to prevent accidental disassembly (Sold separately)
- Lightweight for easy handling
- Excellent resistance to most organic compounds, industrial chemicals, and gases

CERTIFICATIONS:

- NSF/ANSI 51 Certified (Food Equipment Materials)
- NSF/ANSI 61 Certified (Drinking Water System Components - Health Effects)
- NSF/ANSI 372 Certified (Drinking Water System Components - Lead Content)



RATINGS:

PRESSURE AND TEMPERATURE RATING		
Temperature	1/4" O.D.	3/8" O.D.
1 °C (34 °F)	230 PSI	170 PSI
20 °C (68 °F)	230 PSI	170 PSI
65 °C (150 °F)	150 PSI	100 PSI

MAXIMUM PERMISSIBLE TORQUE		
Material	Thread Size	Max. Torque (Nm)
Acetal	1/8"-1/4"	1.5
	3/8"-1/2"	3.0

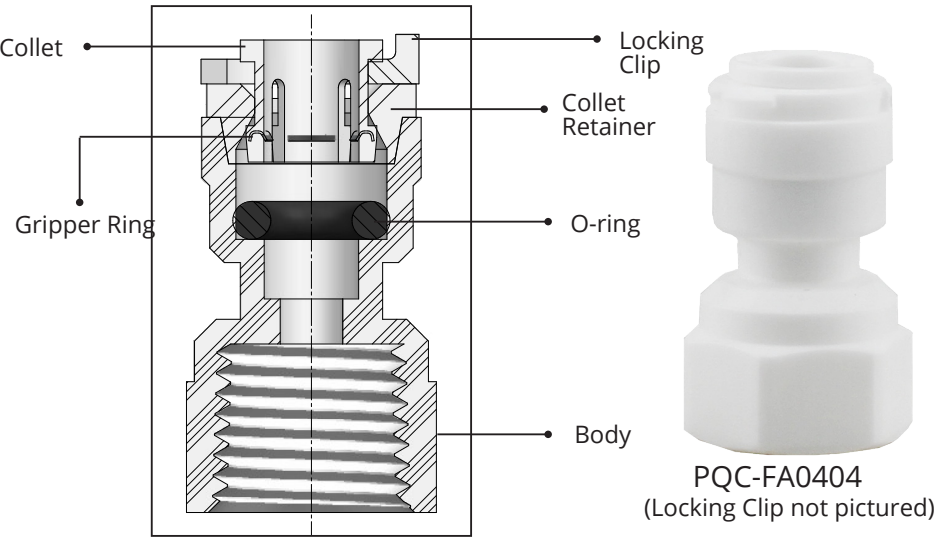
The listed values are based on an average of the maximum applied torque and should be used as a guide only. Actual results may vary.

Pressure rating charts should be used as a guide only. For pressures or temperatures over the stated maximum independent testing by the end user is recommended. It is solely the user's responsibility to determine the suitability of the fitting for the intended service.

BOSHART
INDUSTRIES

25 Whaley Avenue, PO Box 310, Milverton, ON CANADA N0K 1M0
Tel: 800-561-3164

boshart.com ♦ blog.boshart.com



MATERIAL LIST	
COMPONANT	MATERIAL
Collet	White Acetal Copolymer
Collet Retainer	White Acetal Copolymer
O-Ring	Nitrile Butadiene Rubber
Gripper Ring	Stainless Steel
Body	White Acetal Copolymer
Locking Clip (Optional - Sold separately)	White Acetal Copolymer

To Connect Plastic Quick Connect Fittings:

Tools Required: Tube Cutter,

Accessories: Locking Clip (recommended), Tube Support (recommended depending on type of tubing)

Step #1

Cut the tube squarely and ensure the cut end is free of any burrs, dirt or debris. For thin or soft plastic tubing, or for use with hot liquids, the use of a Tube Support is recommended. Insert the Tube Support into the soft tubing.

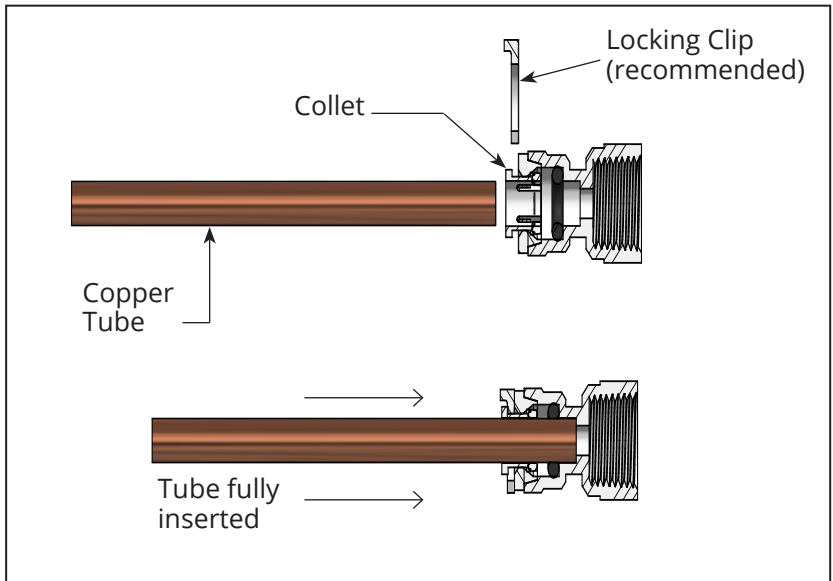
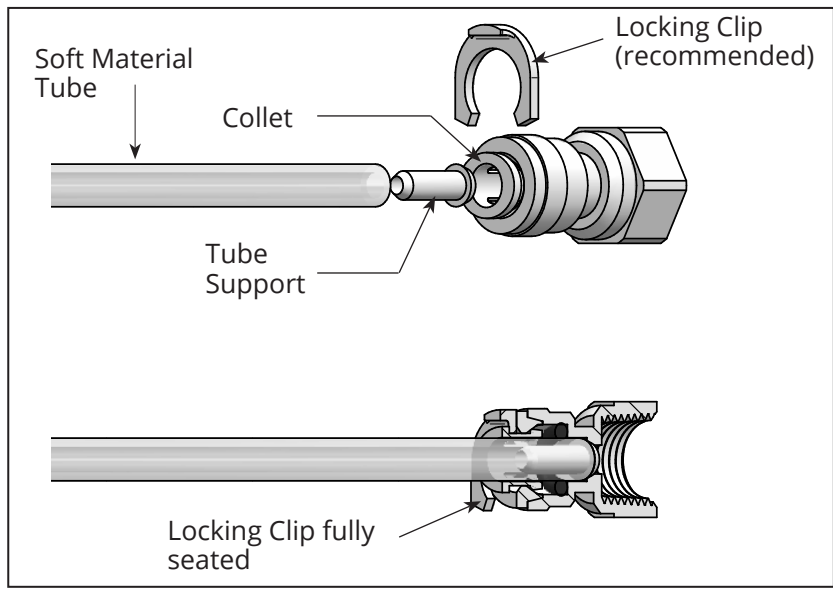
Step #2

Insert the tube into the fitting until it reaches the tube stop. Gently pull on the tube to ensure it is secured in the fitting.

Step #3

To prevent accidental disassembly, the use of a Locking Clip is recommended, as it will prevent the collet from being pressed in which releases the tube from the fitting.

Locate the locking clip between the collet and the collet retainer and press down until the locking clip is fully seated.



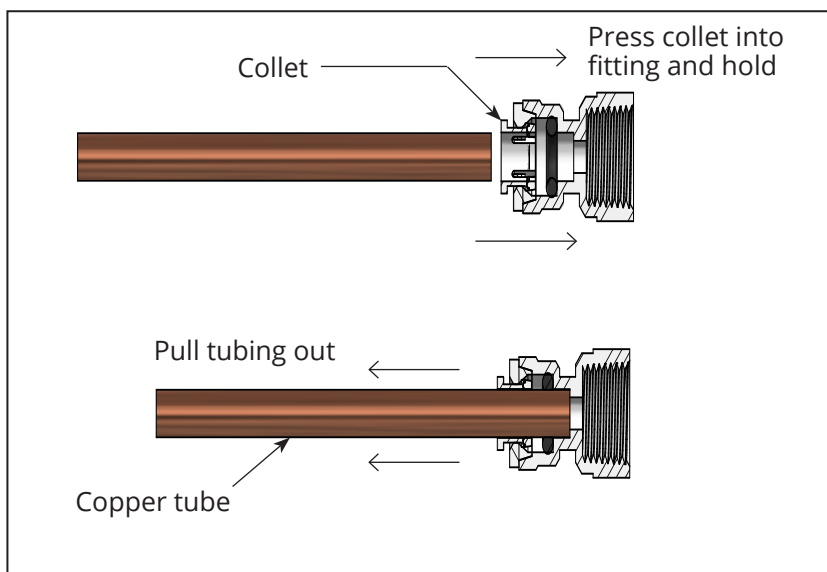
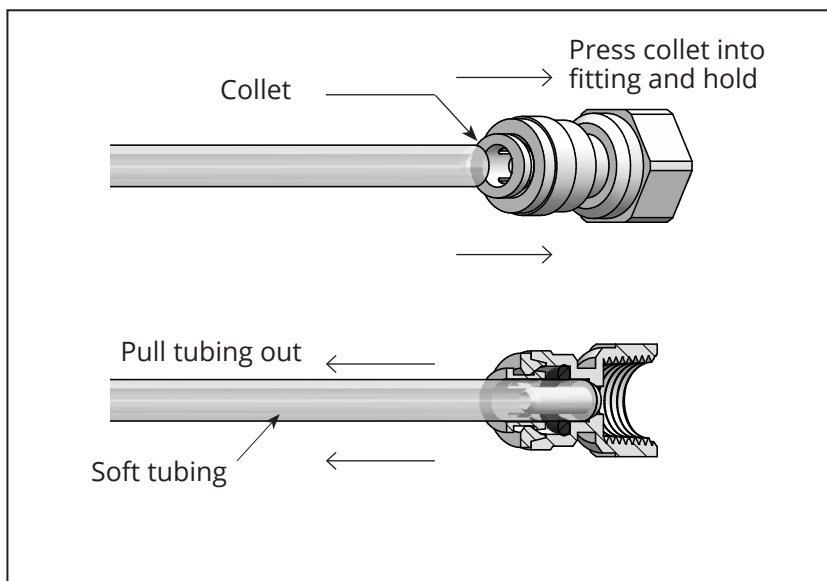
25 Whaley Avenue, PO Box 310, Milverton, ON CANADA N0K 1M0
Tel: 800-561-3164

boshart.com ♦ blog.boshart.com

To Disconnect Plastic Quick Connect Fittings:

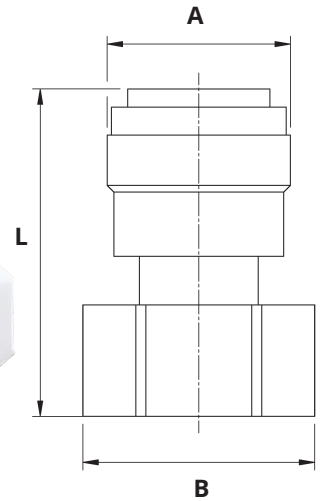
Ensure there is no pressure in the system. Remove the Locking Clip, if one was installed, by pulling upwards on it until the clip comes free from the collet.

Then push the collet in squarely towards the fitting body. While holding the collet in this position, the tube can be removed.



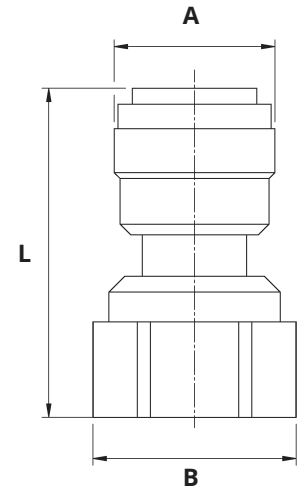
PQC-FACP SERIES - TUBE O.D. x COMP ADAPTER

DIMENSIONS							
Part No.	Size (Tube O.D. x Comp)	A		B		L	
		in	mm	in	mm	in	mm
PQC-FA0404CP	1/4" x 1/4"	0.59	15.0	0.75	19.0	1.22	31.0



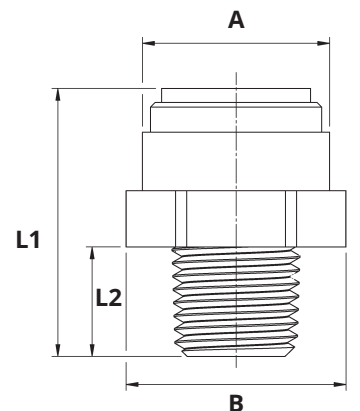
PQC-FA SERIES - TUBE O.D. x FPT ADAPTER

DIMENSIONS							
Part No.	Size (Tube O.D. x FPT)	A		B		L	
		in	mm	in	mm	in	mm
PQC-FA0404	1/4" x 1/4"	0.59	15.0	0.75	19.0	1.22	31.0



PQC-MA SERIES - TUBE O.D. x MPT ADAPTER

DIMENSIONS									
Part No.	Size (Tube O.D. x MPT)	A		B		L1		L2	
		in	mm	in	mm	in	mm	in	mm
PQC-MA0402	1/4"x1/8"	0.59	15.0	0.74	18.8	1.01	25.6	0.41	10.3
PQC-MA0404	1/4"x1/4"	0.59	15.0	0.71	18.0	1.07	27.1	0.46	11.6
PQC-MA0406	1/4"x3/8"	0.59	15.0	0.87	22.1	1.00	25.4	0.47	12.0
PQC-MA0604	3/8"x1/4"	0.78	19.9	0.86	21.9	1.35	34.2	0.50	12.8
PQC-MA0606	3/8"x3/8"	0.78	19.9	0.88	22.4	1.15	29.2	0.48	12.1
PQC-MA0608	3/8"x1/2"	0.78	19.9	1.08	27.5	1.35	34.3	0.67	17.0



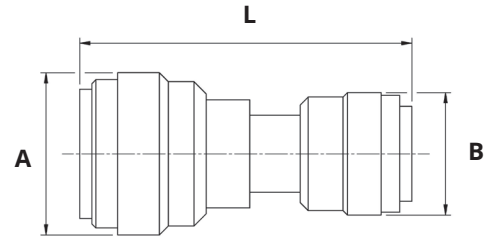
BOSHART
INDUSTRIES

25 Whaley Avenue, PO Box 310, Milverton, ON CANADA N0K 1M0
Tel: 800-561-3164

boshart.com ♦ blog.boshart.com

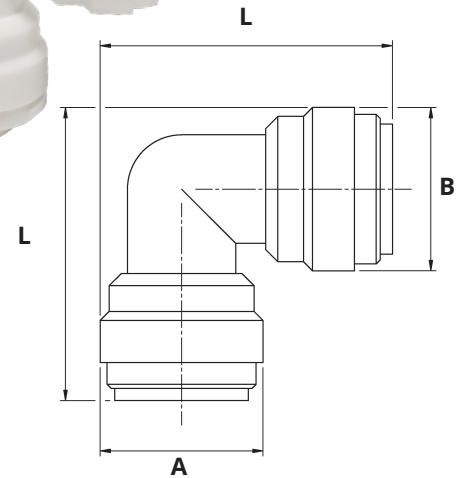
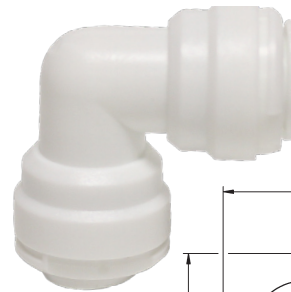
PQC-C SERIES - TUBE O.D. COUPLING

DIMENSIONS							
Part No.	Size (Tube O.D. x Tube O.D.)	A		B		L	
		in	mm	in	mm	in	mm
PQC-C04	1/4"x1/4"	0.59	15.0	0.59	15.0	1.41	35.9
PQC-C06	3/8"x3/8"	0.83	21.1	0.83	21.1	1.66	42.2
PQC-C0604	3/8"x1/4"	0.78	19.9	0.59	15.0	1.62	41.2

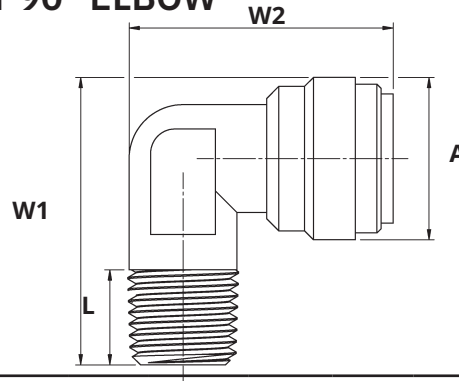


PQC-E SERIES - TUBE O.D. 90° ELBOW

DIMENSIONS							
Part No.	Size (Tube O.D. x Tube O.D.)	A		B		L	
		in	mm	in	mm	in	mm
PQC-E04	1/4"x1/4"	0.59	15.0	0.59	15.0	1.07	27.3
PQC-E06	3/8"x3/8"	0.78	19.9	0.78	19.9	1.39	35.4



PQC-ME SERIES - TUBE O.D. x MPT 90° ELBOW



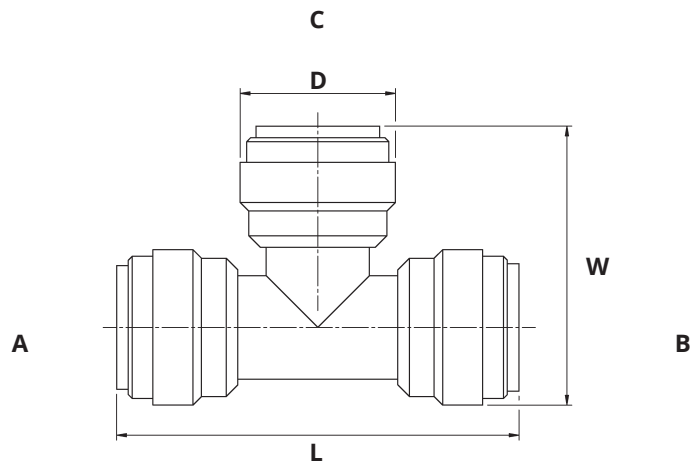
DIMENSIONS									
Part No.	Size (Tube O.D. x MPT)	A		L		W1		W2	
		in	mm	in	mm	in	mm	in	mm
PQC-ME0402	1/4"x1/8"	0.59	15.0	0.38	9.55	1.08	27.5	0.97	24.6
PQC-ME0404	1/4"x1/4"	0.59	15.0	0.45	11.5	1.23	31.3	1.05	26.6
PQC-ME0604	3/8"x1/4"	0.78	19.9	0.44	11.2	1.33	33.8	1.25	31.8
PQC-ME0606	3/8"x3/8"	0.78	19.9	0.45	11.5	1.33	33.9	1.26	32.0

BOSHART
INDUSTRIES

25 Whaley Avenue, PO Box 310, Milverton, ON CANADA N0K 1M0
Tel: 800-561-3164

boshart.com ♦ blog.boshart.com

PQC-T SERIES - TUBE O.D. TEE

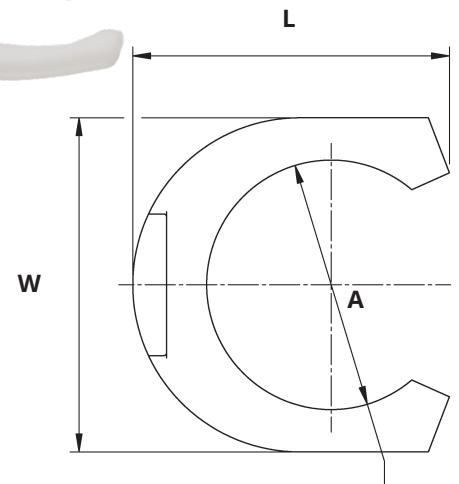


DIMENSIONS							
Part No.	Size (Tube O.D. AxBxC)	D		L		W	
		in	mm	in	mm	in	mm
PQC-T04	1/4"x1/4"x1/4"	0.59	15.0	1.56	39.5	1.07	27.3
PQC-T06	3/8"x3/8"x3/8"	0.79	20.1	1.99	50.6	1.39	35.3
PQC-T060604	3/8"x3/8"x1/4"	0.79	20.1	1.99	50.6	1.35	34.3

PQC-LC SERIES - TUBE O.D. LOCKING CLIP



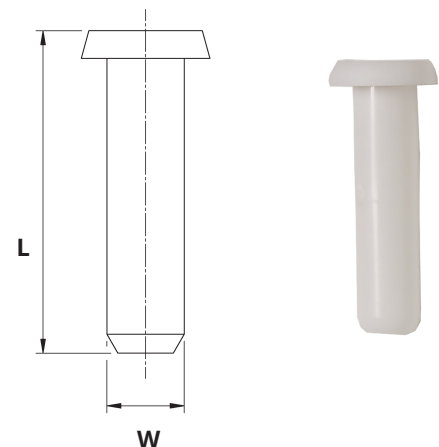
DIMENSIONS							
Part No.	Size (Tube O.D.)	A		L		W	
		in	mm	in	mm	in	mm
PQC-LC04	1/4"	0.31	7.90	0.42	10.7	0.47	12.0
PQC-LC06	3/8"	0.46	11.8	0.60	15.2	0.57	14.4



The use of a Locking Clip is recommended to prevent accidental disconnection. Sold separately.

PQC-TS SERIES - TUBE O.D. TUBE SUPPORT

DIMENSIONS					
Part No.	Size (Tube O.D.)	L		W	
		in	mm	in	mm
PQC-TS04	1/4"	0.55	14.0	0.17	4.32
PQC-TS06	3/8"	0.71	18.0	0.25	6.25



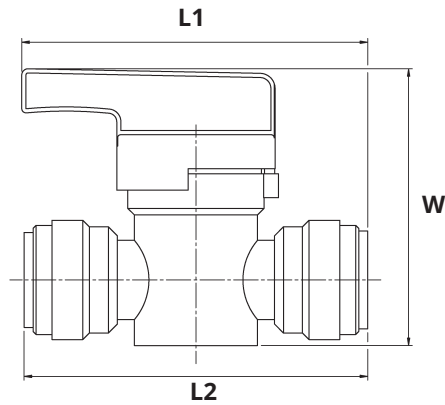
Tube Supports are recommended for use with soft tubing and hot liquids. Sold separately.

BOSHART
INDUSTRIES

25 Whaley Avenue, PO Box 310, Milverton, ON CANADA N0K 1M0
Tel: 800-561-3164

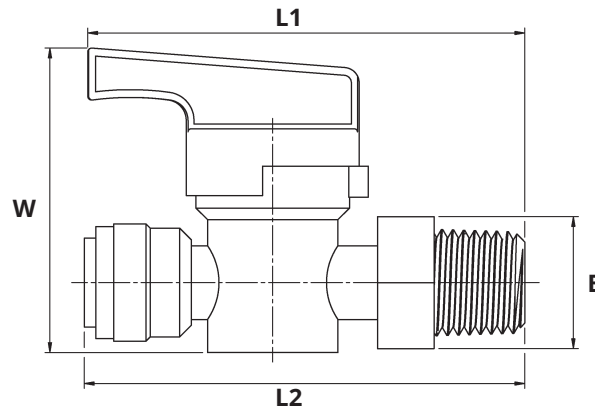
boshart.com ♦ blog.boshart.com

PQCSVS SERIES - TUBE O.D. STRAIGHT SUPPLY VALVE



DIMENSIONS							
Part No.	Size (Tube O.D. x Tube O.D.)	L1		L2		W	
		in	mm	in	mm	in	mm
PQCSVS-04	1/4"x1/4"	1.89	48.1	1.89	47.9	1.56	39.7
PQCSVS-06	3/8"x3/8"	2.30	58.5	2.29	58.4	1.81	46.0

PQCSVS-M SERIES - TUBE O.D. x MPT STRAIGHT SUPPLY VALVE



DIMENSIONS									
Part No.	Size (Tube O.D. x MPT)	L1		L2		W		B	
		in	mm	in	mm	in	mm	in	mm
PQCSVS-0404M	1/4"x1/4"	2.27	57.6	2.26	57.3	1.56	39.7	0.67	17.0

For more information on installation, adjustment, repair & operation, visit Boshart Knowledge Base at

SUPPORT.BOSHART.COM



BOSHART
INDUSTRIES

25 Whaley Avenue, PO Box 310, Milverton, ON CANADA N0K 1M0
Tel: 800-561-3164

boshart.com ♦ blog.boshart.com