

0882-07NL SERIES NO LEAD BRASS SELF DRAINING VACUUM BREAKER

APPLICATIONS:

- Commonly used on outside faucets and at laundry sinks with garden hose threads

FEATURES:

- Self draining design to prevent back siphonage and backflow into potable water supply
- Automatically drains when all hose attachments are removed, protecting the valve or faucet from freezing in colder weather
- Break away set screw to ensure a permanent vandal-proof installation

SPECIFICATIONS:

- ASSE Standard 1011 Certified
- CSA Standard B64.2 Certified
- Made from C89550 No Lead Brass

CERTIFICATION:

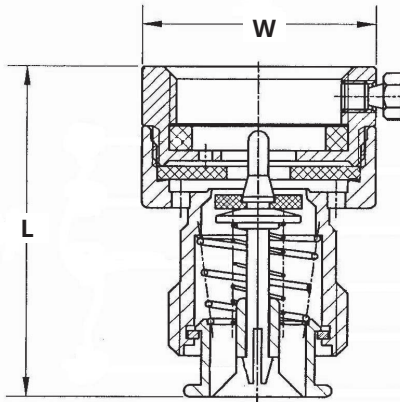
- NSF/ANSI/CAN Standard 61 Certified (Drinking Water Components - Health Effects)
- NSF/ANSI/CAN Standard 372 Certified (Drinking Water System Components - Lead Content)

RATINGS:

- Max Pressure Rating: 125 PSI
- Max Temperature Rating: 180°F (82°C)



MATERIAL LIST	
Name	Material
Packing	Rubber NBR
Bolt	No Lead Brass
Hose Bonnet	No Lead Brass
Packing	Rubber NBR
Hose Body	No Lead Brass
Spring	Stainless Steel 304
Snap Ring	Acetal
Packing	Rubber NBR
Spring Seat	Acetal
Spring	Stainless Steel 304
Knob	Acetal



CHEMICAL COMPOSITION C89550 Brass		
Element	Min	Max
Cu	58.0	64.0
Pb	0	0.09
Sn	0.00	1.2
Zn	32.0	38.0
Fe	0	0.50
P	0	0.01
Ni ⁽²⁾	0	1.0
Al	0.10	0.6
Bi	0.6	1.2
S	0	0.05
Sb	0	0.05
Si	0	0.25
Se	0.01	0.10

DIMENSIONS							
Part No.	Inlet	Outlet	W		L		Weight grams
			inches	mm	inches	mm	
0882-07NL	3/4" FGHT	3/4" MGHT	1.38	35.00	1.97	50.00	120

BOSHART
INDUSTRIES

25 Whaley Avenue, PO Box 310, Milverton, ON CANADA N0K 1M0
Tel: 800-561-3164

boshart.com ♦ blog.boshart.com