

0881-07 SERIES BRASS VACUUM BREAKER

A vacuum breaker is a one-way valve and backflow preventer. Backflow can occur when water flows through hoses, pipes or plumbing systems in the wrong direction. This can happen during changes or drops to water pressure. A vacuum breaker will protect the potable water in your home from potential contaminants by counteracting any siphoning effect that opening another water supply might have.

APPLICATIONS:

- Commonly used on outside faucets and at laundry sinks with garden hose threads

FEATURES:

- Designed to prevent back siphonage into potable water supply
- Break away set screw to ensure a permanent vandal-proof installation.

SPECIFICATIONS:

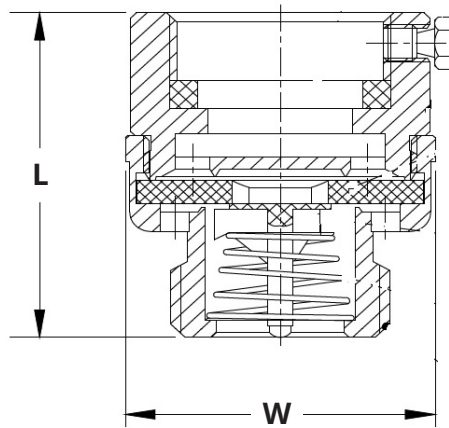
- ASSE Standard 1011 Certified
- CSA Standard B64.2 Certified
- Made from C37700 Brass

RATINGS:

- Max Pressure Rating: 125 PSI
- Max Temperature Rating: 180°F (82°C)

CHEMICAL COMPOSITION C37700 Brass		
Element	Min	Max
Cu	58.0	61.0
Pb	1.5	2.5
Zn	0	Rem
Fe	0	0.30

MATERIAL LIST	
Name	Material
Packing	Rubber NBR
Set Screw	Stainless Steel 304
Bonnet	Brass
Washer	Brass
Packing	Rubber NBR
Spring Seat	Acetal
Spring	Stainless Steel 304
Body	Brass



DIMENSIONS							
Part No.	Inlet	Outlet	W		L		Weight grams
			inches	mm	inches	mm	
0881-07	3/4" FGHT	3/4" MGHT	1.42	36.00	1.69	43.00	108



25 Whaley Avenue, PO Box 310, Milverton, ON CANADA N0K 1M0
Tel: 800-561-3164

boshart.com ♦ blog.boshart.com