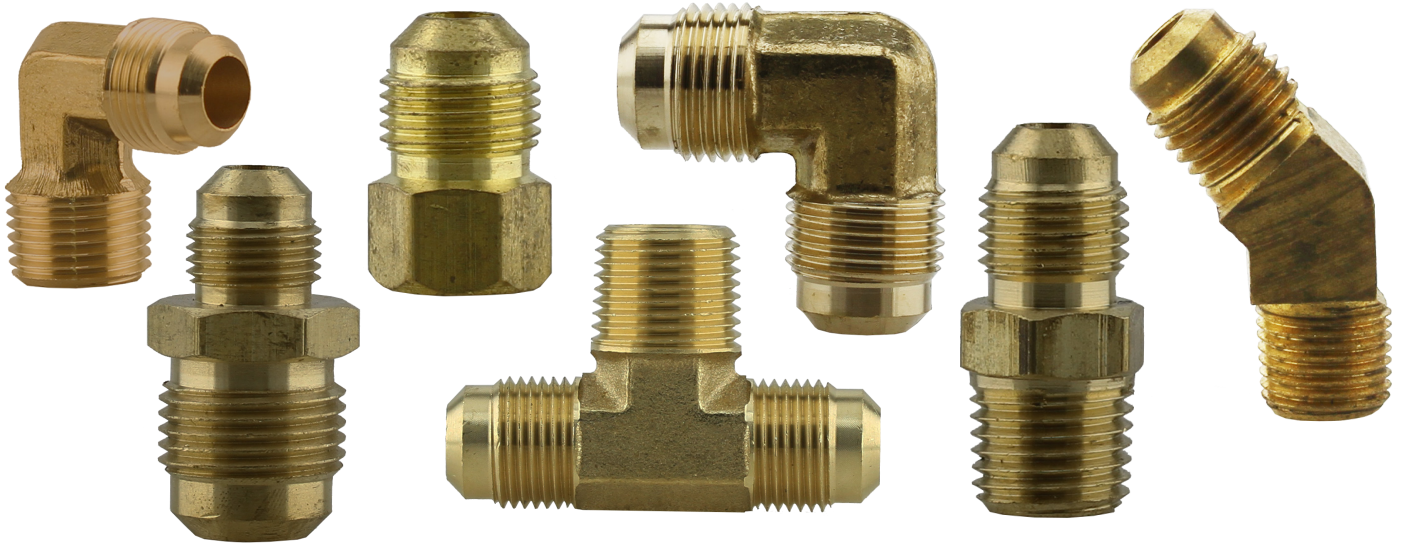


BF SERIES - BRASS FLARE FITTINGS

SPECIFICATIONS:

- Made from C37700 brass alloy (forged fittings) or C36000 brass alloy (bar stock fittings)
- Maximum operating temperature range: -65 to 250 °F (-54 to 121 °C)
- SAE 45° flare fittings are to be used for low to medium pressure applications
- Compatible with copper, brass, aluminum, and welded steel hydraulic tubing
- Resistant to mechanical pullout and vibration with the use of long nut
- Commonly used in plumbing, oil, gas, and refrigerant lines
- For use with gas, fuel oil, LP-gas, and natural gas, forged nuts should be used over milled nuts
- Can be disassembled and reassembled without an effect on the seal
- Do not use BF series leaded flare fittings for potable water applications



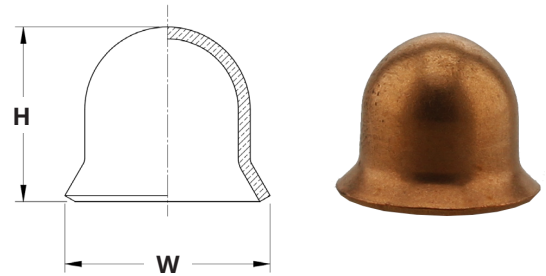
45° FLARE FITTING WORKING PRESSURE GUIDE					
Size Code	Copper Tube Dimensions			Working Pressure	
	Outside Diameter	Inside Diameter (in)	Wall Thickness (in)	PSI	kPa
02	1/8"	0.065	0.03	2800	19305
03	3/16"	0.128	0.03	1900	13100
04	1/4"	0.190	0.03	1400	9653
05	5/16"	0.249	0.032	1200	8274
06	3/8"	0.311	0.032	1000	6895
08	1/2"	0.436	0.032	750	5171
10	5/8"	0.555	0.035	650	4482
12	3/4"	0.680	0.035	550	3792
14	7/8"	0.805	0.035	450	3103

Working pressures, temperatures, and type of tubing used are all critical factors. The provided table is to be used as a guide only for selection and is based on the use of copper tubing. It is solely the end user's responsibility to determine the suitability of the hose fitting for the intended service.

BF-57 SERIES - SEALING BONNET

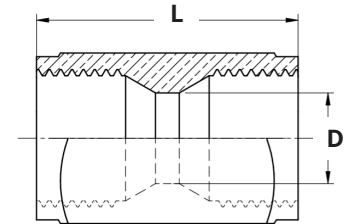
■ Copper

DIMENSIONS					
Part No.	Size (Flare)	W		H	
		in	mm	in	mm
BF-57-06	3/8"	0.55	14.0	0.34	8.60
BF-57-08	1/2"	0.66	16.8	0.41	10.4



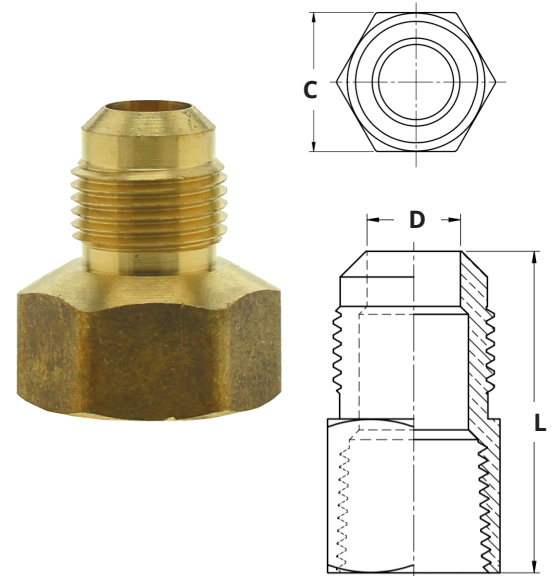
BF-32 SERIES - FEMALE FLARE COUPLING

DIMENSIONS							
Part No.	Size (Female Flare)	C		D		L	
		in	mm	in	mm	in	mm
BF-32-06	3/8"	0.81	20.6	0.38	9.52	1.25	31.8
BF-32-08	1/2"	0.94	23.8	0.50	12.7	1.44	36.6



BF-46 SERIES - FLARE x FPT COUPLING

DIMENSIONS							
Part No.	Size (Flare x FPT)	C		D		L	
		in	mm	in	mm	in	mm
BF-46-0402	1/4"x1/8"	0.56	14.3	0.19	4.78	1.03	26.2
BF-46-0404	1/4"x1/4"	0.63	15.9	0.19	4.78	1.06	27.0
BF-46-0406	1/4"x3/8"	0.75	19.1	0.19	4.78	1.18	30.0
BF-46-0408	1/4"x1/2"	0.94	23.8	0.19	4.78	1.20	30.5
BF-46-0504	5/16"x1/4"	0.68	17.3	0.22	5.56	1.28	32.5
BF-46-0602	3/8"x1/8"	0.63	15.9	0.28	7.14	1.13	28.8
BF-46-0604	3/8"x1/4"	0.63	15.9	0.28	7.14	1.09	27.8
BF-46-0606	3/8"x3/8"	0.75	19.1	0.28	7.14	1.28	32.5
BF-46-0608	3/8"x1/2"	0.87	22.2	0.28	7.14	1.30	33.0
BF-46-0612	3/8"x3/4"	1.13	28.6	0.28	7.14	1.43	36.2
BF-46-0806	1/2"x3/8"	0.75	19.1	0.41	10.3	1.40	35.6
BF-46-0808	1/2"x1/2"	0.87	22.2	0.41	10.3	1.43	36.3
BF-46-0812	1/2"x3/4"	1.13	28.6	0.41	10.3	1.41	35.8
BF-46-1008	5/8"x1/2"	0.87	22.2	0.50	12.7	1.54	39.0
BF-46-1012	5/8"x3/4"	1.13	28.6	0.50	12.7	1.62	41.2
BF-46-1212	3/4"x3/4"	1.13	28.6	0.69	17.5	1.77	45.0
BF-46-1412	7/8"x3/4"	1.31	33.3	0.75	19.1	1.94	49.3



BOSHART
INDUSTRIES

© 2020 Boshart Industries Inc. All Rights Reserved.

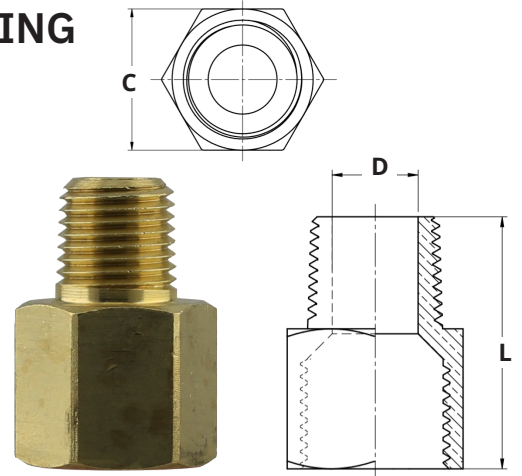
25 Whaley Avenue, PO Box 310, Milverton, ON CANADA N0K 1M0
Tel: 800-561-3164

boshart.com ♦ blog.boshart.com

BII-BF-57,BF-32,BF-46-0124(2711,604,313)

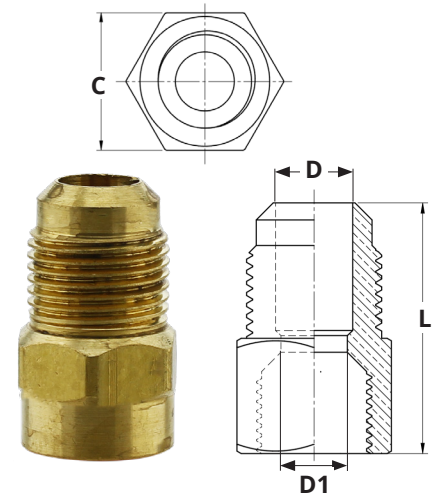
BF-33 SERIES - FEMALE FLARE x MPT COUPLING

DIMENSIONS							
Part No.	Size (Female Flare x MPT)	C		D		L	
		in	mm	in	mm	in	mm
BF-33-0402	1/4"x1/8"	0.92	23.4	0.18	4.57	0.91	23.1
BF-33-0404	1/4"x1/4"	0.63	16.0	0.18	4.57	1.00	25.4
BF-33-0604	3/8"x1/4"	0.81	20.7	0.34	8.60	1.12	28.4
BF-33-0806	1/2"x3/8"	1.00	25.4	0.44	11.1	1.34	34.0
BF-33-0808	1/2"x1/2"	0.94	23.9	0.44	11.1	1.46	37.1

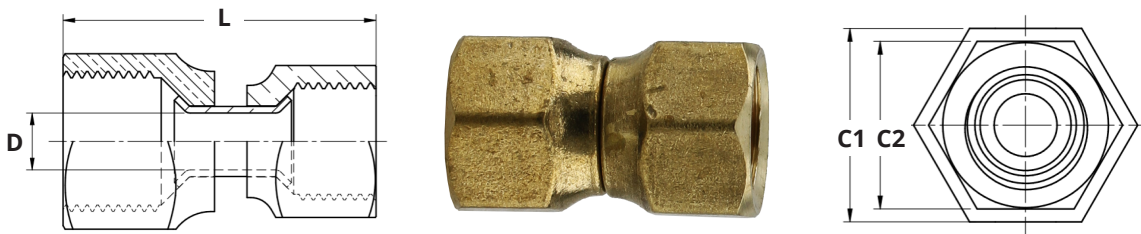


BF-35 SERIES - REDUCING COUPLING

DIMENSIONS									
Part No.	Size (Female Flare x Male Flare)	C		D1		D		L	
		in	mm	in	mm	in	mm	in	mm
BF-35-0406	1/4"x3/8"	0.82	20.8	0.18	4.57	0.28	7.14	1.12	28.4
BF-35-0604	3/8"x1/4"	0.81	20.6	0.38	9.65	0.19	4.78	1.22	31.0
BF-35-0806	1/2"x3/8"	0.94	23.9	0.50	12.7	0.28	7.14	1.44	36.6
BF-35-0810	1/2"x5/8"	1.00	25.4	0.50	12.7	0.50	12.7	1.63	41.4



BF-34(R) SERIES - FEMALE FLARE SWIVEL COUPLING



DIMENSIONS									
Part No.	Size (Female Flare)	C1		C2		D		L	
		in	mm	in	mm	in	mm	in	mm
BF-34-04	1/4"x1/4"	0.62	15.8	0.62	15.8	0.18	4.57	1.31	33.3
BF-34-06	3/8"x3/8"	0.81	20.6	0.81	20.6	0.31	7.75	1.50	38.1
BF-34-08	1/2"x1/2"	0.93	23.6	0.93	23.6	0.43	10.9	1.60	40.6
BF-34-10	5/8"x5/8"	1.04	26.4	1.04	26.4	0.56	14.1	2.00	50.8
BF-34R-0604	3/8"x1/4"	0.81	20.6	0.62	15.8	0.18	4.57	1.35	34.3
BF-34R-0806	1/2"x3/8"	0.93	23.6	0.81	20.6	0.31	7.75	1.55	39.4

BOSHART
INDUSTRIES

© 2020 Boshart Industries Inc. All Rights Reserved.

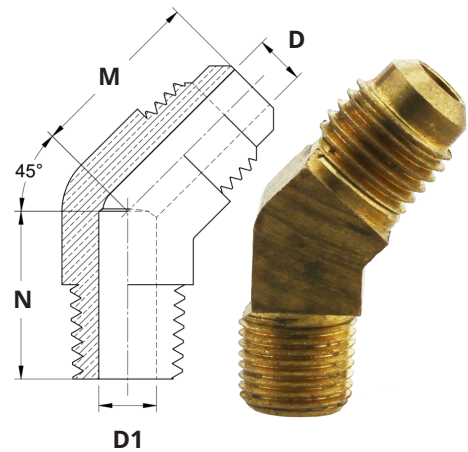
25 Whaley Avenue, PO Box 310, Milverton, ON CANADA N0K 1M0
Tel: 800-561-3164

boshart.com ♦ blog.boshart.com

BII-BBF-33,BF-35,BF-34(R)-0124(2711,604,313)

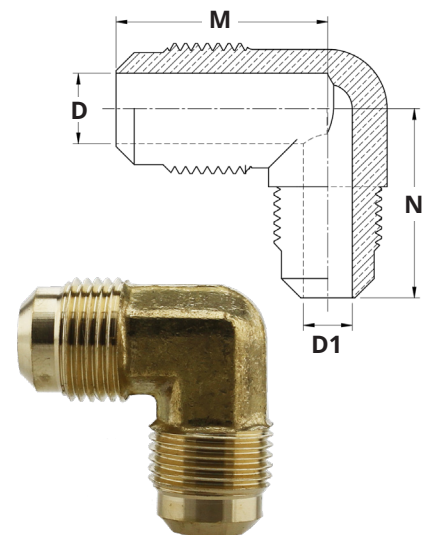
BF-54 SERIES - FLARE x MPT 45° ELBOW

DIMENSIONS									
Part No.	Size (Flare x MPT)	M		N		D		D1	
		in	mm	in	mm	in	mm	in	mm
BF-54-0402	1/4"x1/8"	0.74	18.7	0.66	16.8	0.19	4.80	0.22	5.60



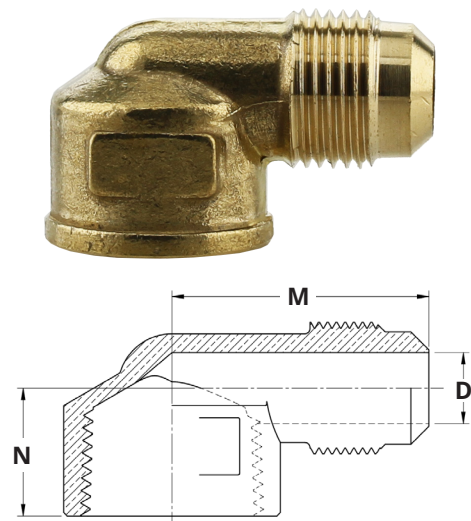
BF-55(R) SERIES - FLARE 90° ELBOW

DIMENSIONS									
Part No.	Size (Flare x Flare)	M		N		D		D1	
		in	mm	in	mm	in	mm	in	mm
BF-55-02	1/8"x1/8"	0.64	16.3	0.64	16.3	0.08	2.11	0.08	2.11
BF-55-04	1/4"x1/4"	0.87	22.0	0.87	22.0	0.19	4.78	0.19	4.78
BF-55-06	3/8"x3/8"	1.00	25.4	1.00	25.4	0.28	7.14	0.28	7.14
BF-55-08	1/2"x1/2"	1.16	29.4	1.16	29.4	0.41	10.3	0.41	10.3
BF-55-10	5/8"x5/8"	1.41	35.7	1.41	35.7	0.50	12.7	0.50	12.7
BF-55-12	3/4"x3/4"	1.54	39.0	1.54	39.0	0.63	15.9	0.63	15.9
BF-55R-0806	1/2"x3/8"	1.16	29.4	1.09	27.8	0.41	10.3	0.31	7.92



BF-50 SERIES - FLARE x FPT 90° ELBOW

DIMENSIONS							
Part No.	Size (Flare x FPT)	M		N		D	
		in	mm	in	mm	in	mm
BF-50-0604	3/8"x1/4"	1.08	27.5	0.45	11.5	0.28	7.14
BF-50-0606	3/8"x3/8"	1.03	26.2	0.57	14.6	0.27	7.06
BF-50-0608	3/8"x1/2"	1.16	29.4	0.66	16.7	0.28	7.14
BF-50-0808	1/2"x1/2"	1.29	32.8	0.59	15.0	0.41	10.3
BF-50-0812	1/2"x3/4"	1.41	35.7	0.71	18.2	0.41	10.3
BF-50-1008	5/8"x1/2"	1.48	37.5	0.72	18.3	0.50	12.7



BOSHART
INDUSTRIES

© 2020 Boshart Industries Inc. All Rights Reserved.

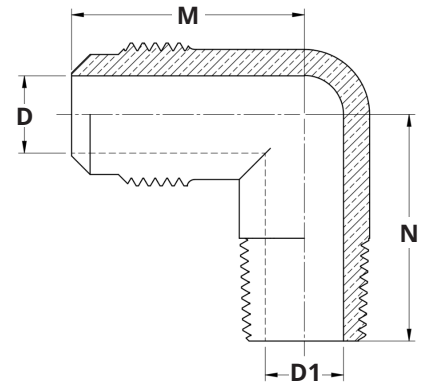
25 Whaley Avenue, PO Box 310, Milverton, ON CANADA N0K 1M0
Tel: 800-561-3164

boshart.com ♦ blog.boshart.com

BII-BF-54,BF-55(R),BF-50-0124(2711,604,313)

BF-49 SERIES - FLARE x MPT 90° ELBOW

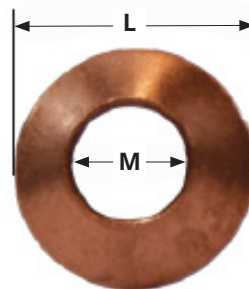
DIMENSIONS									
Part No.	Size (Flare x MPT)	M		N		D		D1	
		in	mm	in	mm	in	mm	in	mm
BF-49-0202	1/8"x1/8"	0.96	24.5	0.77	19.6	0.08	2.11	0.22	5.56
BF-49-0302	3/16"x1/8"	0.96	24.5	0.77	19.6	0.13	3.18	0.22	5.56
BF-49-0304	3/16"x1/4"	0.96	24.5	0.77	19.6	0.13	3.18	0.31	7.92
BF-49-0402	1/4"x1/8"	0.96	24.5	0.77	19.6	0.19	4.78	0.22	5.56
BF-49-0404	1/4"x1/4"	0.96	24.5	0.83	21.1	0.19	4.78	0.31	7.92
BF-49-0406	1/4"x3/8"	0.96	24.5	0.94	23.8	0.19	4.78	0.41	10.3
BF-49-0408	1/4"x1/2"	1.11	28.2	1.10	28.0	0.19	4.78	0.57	14.5
BF-49-0502	5/16"x1/8"	0.96	24.5	0.77	19.6	0.22	5.50	0.22	5.56
BF-49-0504	5/16"x1/4"	0.95	24.2	0.83	21.1	0.22	5.50	0.31	7.92
BF-49-0602	3/8"x1/8"	1.00	25.4	0.82	21.0	0.28	7.14	0.22	5.56
BF-49-0604	3/8"x1/4"	1.00	25.4	0.88	22.4	0.28	7.14	0.31	7.92
BF-49-0606	3/8"x3/8"	1.00	25.4	0.91	23.1	0.28	7.14	0.41	10.3
BF-49-0608	3/8"x1/2"	1.08	27.5	1.10	28.0	0.28	7.14	0.57	14.5
BF-49-0612	3/8"x3/4"	1.27	32.3	1.19	30.1	0.28	7.14	0.75	19.1
BF-49-0804	1/2"x1/4"	1.22	31.0	1.01	25.7	0.44	11.1	0.31	7.92
BF-49-0806	1/2"x3/8"	1.22	31.0	1.12	28.5	0.41	10.3	0.41	10.3
BF-49-0808	1/2"x1/2"	1.13	28.6	1.14	29.0	0.44	11.1	0.56	14.3
BF-49-0812	1/2"x3/4"	1.40	35.5	1.22	31.0	0.40	10.2	0.75	19.1
BF-49-1008	5/8"x1/2"	1.34	34.0	1.18	30.0	0.50	12.7	0.57	14.5
BF-49-1012	5/8"x3/4"	1.39	35.2	1.28	32.6	0.50	12.7	0.74	19.0



BF-59 SERIES - FLARE GASKET

■ Copper

DIMENSIONS					
Part No.	Size	L		M	
		in	mm	in	mm
BF-59-06	3/8"	0.55	14.0	0.28	7.11
BF-59-08	1/2"	0.66	16.8	0.41	10.4



BOSHART
INDUSTRIES

© 2020 Boshart Industries Inc. All Rights Reserved.

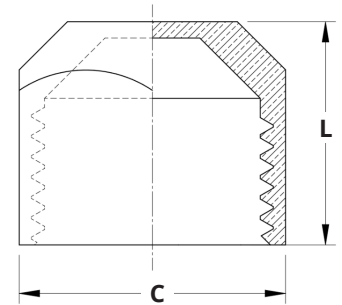
25 Whaley Avenue, PO Box 310, Milverton, ON CANADA N0K 1M0
Tel: 800-561-3164

boshart.com ♦ blog.boshart.com

BII-BF-49,BF-59-0124(2711,604,313)

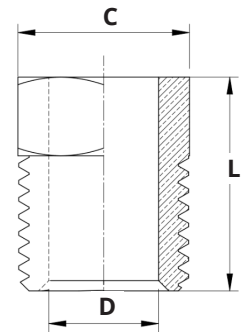
BF-56 SERIES - FLARE CAP NUT

DIMENSIONS					
Part No.	Size	C		L	
		in	mm	in	mm
BF-56-03	3/16"	0.44	11.1	0.37	9.50
BF-56-04	1/4"	0.50	12.7	0.47	12.0
BF-56-05	5/16"	0.63	15.9	0.53	13.5
BF-56-06	3/8"	0.69	17.5	0.59	15.1
BF-56-08	1/2"	0.81	20.6	0.69	17.4
BF-56-10	5/8"	0.94	23.8	0.81	20.6
BF-56-12	3/4"	1.18	30.0	0.90	22.8



BF-41INB SERIES - FLARE INVERTED NUT

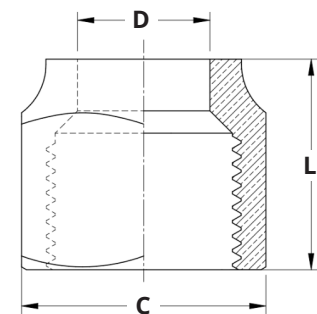
DIMENSIONS							
Part No.	Size	C		D		L	
		in	mm	in	mm	in	mm
BF-41INB-04	1/4"	0.43	10.9	0.26	6.60	0.56	14.2
BF-41INB-05	5/16"	0.50	12.7	0.32	8.10	0.63	15.9
BF-41INB-08	1/2"	0.75	19.1	0.51	13.0	0.74	18.8



BF-40(R) SERIES - FLARE SHORT FORGED NUT

■ Use only forged flare nuts on gas and fuel oil installations.

DIMENSIONS							
Part No.	Size	C		D		L	
		in	mm	in	mm	in	mm
BF-40-03	3/16"	0.50	12.7	0.19	4.83	0.56	14.2
BF-40-04	1/4"	0.63	15.9	0.25	6.35	0.59	15.0
BF-40-05	5/16"	0.69	17.5	0.31	7.94	0.64	16.3
BF-40-06	3/8"	0.81	20.6	0.37	9.52	0.69	17.5
BF-40-08	1/2"	0.93	23.6	0.50	12.7	0.81	20.7
BF-40-10	5/8"	1.04	26.4	0.63	15.9	0.94	23.9
BF-40-12	3/4"	1.25	31.8	0.75	19.1	1.02	26.0
BF-40-14	7/8"	1.38	35.1	0.87	22.1	1.18	30.0
BF-40R-0604	3/8"x1/4"	0.81	20.6	0.25	6.35	0.70	17.8
BF-40R-0806	1/2"x3/8"	0.94	23.8	0.37	9.52	0.83	21.0
BF-40R-1008	5/8"x1/2"	1.06	27.0	0.50	12.7	0.98	25.0



BOSHART
INDUSTRIES

© 2020 Boshart Industries Inc. All Rights Reserved.

25 Whaley Avenue, PO Box 310, Milverton, ON CANADA N0K 1M0
Tel: 800-561-3164

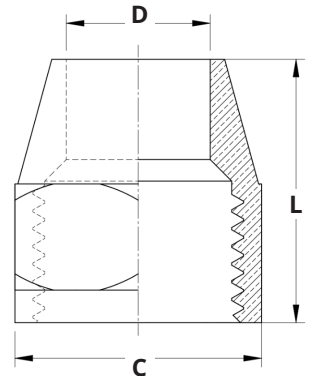
boshart.com ♦ blog.boshart.com

BII-BF-56, BF-41INB, BF-40(R)-0124(2711,604, 313)

BF-41S SERIES - FLARE SHORT MILLED NUT

■ Use only forged flare nuts on gas and fuel oil installations.

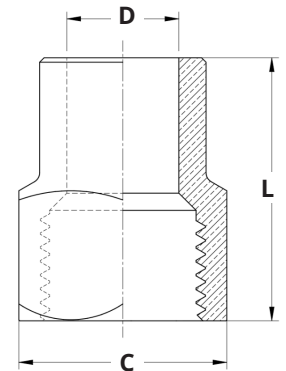
DIMENSIONS							
Part No.	Size	C		D		L	
		in	mm	in	mm	in	mm
BF-41S-02	1/8"	0.38	9.53	0.13	3.18	0.50	12.7
BF-41S-03	3/16"	0.44	11.1	0.19	4.76	0.63	15.9
BF-41S-04	1/4"	0.56	14.3	0.25	6.35	0.67	17.0
BF-41S-05	5/16"	0.63	15.9	0.31	7.94	0.69	17.5
BF-41S-06	3/8"	0.73	18.6	0.37	9.52	0.86	21.8
BF-41S-08	1/2"	0.86	21.8	0.50	12.7	0.93	23.5
BF-41S-10	5/8"	1.00	25.4	0.63	15.9	0.99	25.2
BF-41S-12	3/4"	1.18	30.0	0.75	19.1	1.30	33.0
BF-41S-14	7/8"	1.50	38.1	0.87	22.2	1.62	41.2
BF-41S-16	1"	1.62	41.1	0.98	25.0	1.81	46.0



BF-39 SERIES - FLARE LONG FORGED NUT

■ Use only forged flare nuts on gas and fuel oil installations.

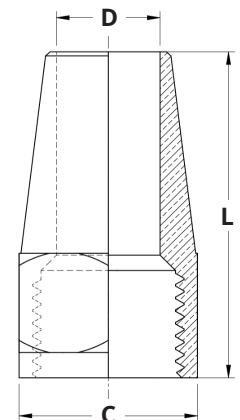
DIMENSIONS							
Part No.	Size	C		D		L	
		in	mm	in	mm	in	mm
BF-39-04	1/4"	0.63	15.9	0.25	6.35	0.94	23.9
BF-39-06	3/8"	0.81	20.6	0.37	9.52	1.06	26.9
BF-39-08	1/2"	0.93	23.6	0.50	12.8	1.17	29.6
BF-39-10	5/8"	1.04	26.4	0.63	15.9	1.25	31.8



BF-41 SERIES - FLARE LONG MILLED NUT

■ Use only forged flare nuts on gas and fuel oil installations.

DIMENSIONS							
Part No.	Size	C		D		L	
		in	mm	in	mm	in	mm
BF-41-03	3/16"	0.44	11.1	0.19	4.90	0.81	20.5
BF-41-04	1/4"	0.56	14.3	0.25	6.35	0.98	25.0
BF-41-05	5/16"	0.63	15.9	0.31	7.94	1.14	29.0
BF-41-06	3/8"	0.75	19.1	0.37	9.52	1.31	33.3
BF-41-08	1/2"	0.87	22.2	0.50	12.7	1.62	41.1
BF-41-10	5/8"	1.06	27.0	0.63	15.9	1.88	47.8
BF-41-12	3/4"	1.25	31.8	0.75	19.1	2.19	55.6



BOSHART
INDUSTRIES

© 2020 Boshart Industries Inc. All Rights Reserved.

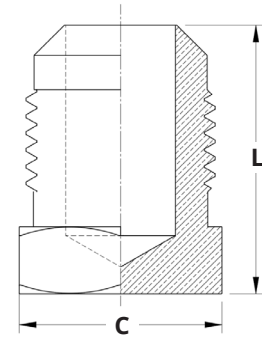
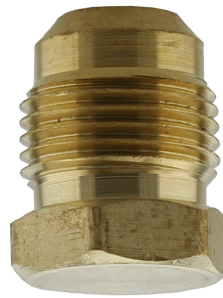
25 Whaley Avenue, PO Box 310, Milverton, ON CANADA N0K 1M0
Tel: 800-561-3164

boshart.com ♦ blog.boshart.com

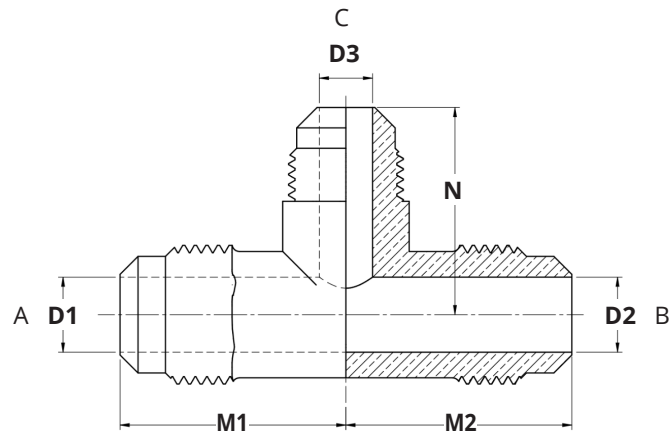
BII-BF-41S,BF-39,BF-41-0124(2711,604, 313)

BF-58 SERIES - FLARE PLUG

DIMENSIONS					
Part No.	Size	C		L	
		in	mm	in	mm
BF-58-04	1/4"	0.44	11.1	0.69	17.5
BF-58-05	5/16"	0.50	12.7	0.78	19.8
BF-58-06	3/8"	0.63	15.9	0.88	22.4
BF-58-08	1/2"	0.75	19.1	0.98	25.0



BF-44(R) SERIES - FLARE TEE



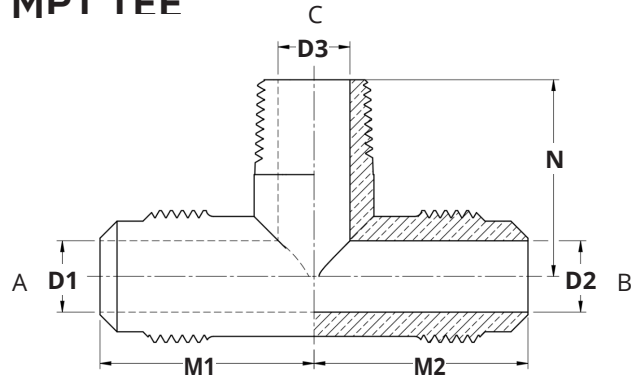
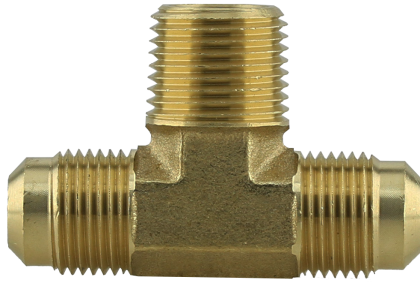
DIMENSIONS													
Part No.	Size (AxBxC)	D1		D2		D3		M1		M2		N	
		in	mm	in	mm	in	mm	in	mm	in	mm	in	mm
BF-44-02	1/8"x1/8"x1/8"	0.08	2.11	0.08	2.11	0.08	2.11	0.75	19.0	0.75	19.0	0.71	18.0
BF-44-04	1/4"x1/4"x1/4"	0.13	3.18	0.13	3.18	0.13	3.18	0.87	22.0	0.87	22.0	0.87	22.0
BF-44-06	3/8"x3/8"x3/8"	0.28	7.14	0.28	7.14	0.28	7.14	1.00	25.4	1.00	25.4	1.00	25.4
BF-44-08	1/2"x1/2"x1/2"	0.41	10.3	0.41	10.3	0.41	10.3	1.16	29.4	1.16	29.4	1.16	29.4
BF-44-10	5/8"x5/8"x5/8"	0.50	12.7	0.50	12.7	0.50	12.7	1.41	35.7	1.41	35.7	1.41	35.7
BF-44-12	3/4"x3/4"x3/4"	0.63	16.0	0.63	16.0	0.63	16.0	1.64	41.7	1.64	41.7	1.64	41.7
BF-44R-060604	3/8"x3/8"x1/4"	0.28	7.14	0.28	7.14	0.19	4.78	1.00	25.4	1.00	25.4	0.92	23.3
BF-44R-060608	3/8"x3/8"x1/2"	0.28	7.11	0.28	7.11	0.41	10.4	1.00	25.4	1.00	25.4	1.19	30.2
BF-44R-080606	1/2"x3/8"x3/8"	0.41	10.4	0.28	7.11	0.28	7.11	1.16	29.4	1.16	29.4	1.12	28.4
BF-44R-080608	1/2"x3/8"x1/2"	0.41	10.4	0.28	7.11	0.41	10.4	1.16	29.4	1.00	25.4	1.16	29.4
BF-44R-080806	1/2"x1/2"x3/8"	0.41	10.4	0.41	10.4	0.27	7.11	1.16	29.4	1.16	29.4	1.13	28.6
BF-44R-100808	5/8"x1/2"x1/2"	0.50	12.7	0.41	10.4	0.41	10.4	1.41	35.7	1.16	29.4	1.16	29.4
BF-44R-101006	5/8"x5/8"x3/8"	0.50	12.7	0.50	12.7	0.28	7.14	1.41	35.7	1.41	35.7	1.13	28.7
BF-44R-101008	5/8"x5/8"x1/2"	0.50	12.7	0.50	12.7	0.40	10.3	1.41	35.7	1.41	35.7	1.28	32.6



25 Whaley Avenue, PO Box 310, Milverton, ON CANADA N0K 1M0
Tel: 800-561-3164

boshart.com ♦ blog.boshart.com

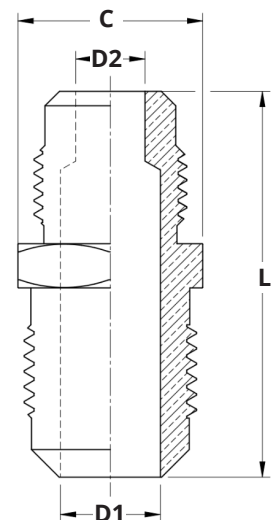
BF-45 SERIES - FLARE x FLARE x MPT TEE



DIMENSIONS													
Part No.	Size (AxBxC)	D1		D2		D3		M1		M2		N	
		in	mm	in	mm	in	mm	in	mm	in	mm	in	mm
BF-45-0606	3/8"x3/8"x3/8"	0.28	7.10	0.28	7.10	0.41	10.3	1.00	25.5	1.00	25.5	1.00	25.5
BF-45-0806	1/2"x1/2"x3/8"	0.41	10.3	0.41	10.3	0.41	10.3	1.16	29.4	1.16	29.4	1.02	26.0
BF-45-0808	1/2"x1/2"x1/2"	0.41	10.3	0.41	10.3	0.56	14.3	1.22	31.0	1.22	31.0	1.22	31.0
BF-45-1008	5/8"x5/8"x1/2"	0.50	12.7	0.50	12.7	0.56	14.3	1.41	35.7	1.41	35.7	1.36	34.5

BF-42 SERIES - FLARE UNION COUPLING

DIMENSIONS									
Part No.	Size (Flare x Flare)	D1		D2		C		L	
		in	mm	in	mm	in	mm	in	mm
BF-42-02	1/8"x1/8"	0.08	2.11	0.08	2.11	0.38	9.53	0.92	23.3
BF-42-04	1/4"x1/4"	0.19	4.78	0.19	4.78	0.44	11.1	1.19	30.2
BF-42-05	5/16"x5/16"	0.22	5.50	0.22	5.50	0.56	14.3	1.39	35.2
BF-42-06	3/8"x3/8"	0.28	7.14	0.28	7.14	0.63	15.9	1.47	37.3
BF-42-08	1/2"x1/2"	0.41	10.3	0.41	10.3	0.75	19.1	1.69	42.9
BF-42-10	5/8"x5/8"	0.50	12.7	0.50	12.7	0.87	22.2	1.95	49.5
BF-42-12	3/4"x3/4"	0.63	15.9	0.63	15.9	1.06	27.0	2.32	59.0
BF-42-14	7/8"x7/8"	0.75	19.1	0.75	19.1	1.25	31.8	2.72	69.1
BF-42R-0403	1/4"x3/16"	0.19	4.78	0.13	3.18	0.44	11.1	1.08	27.5
BF-42R-0504	5/16"x1/4"	0.26	6.70	0.19	4.78	0.56	14.3	1.30	33.1
BF-42R-0604	3/8"x1/4"	0.28	7.14	0.19	4.78	0.63	15.9	1.36	34.5
BF-42R-0605	3/8"x5/16"	0.28	7.14	0.22	5.50	0.63	15.9	1.43	36.2
BF-42R-0804	1/2"x1/4"	0.41	10.3	0.19	4.78	0.75	19.1	1.48	37.6
BF-42R-0806	1/2"x3/8"	0.41	10.3	0.28	7.14	0.75	19.1	1.59	40.4
BF-42R-1006	5/8"x3/8"	0.50	12.7	0.28	7.14	0.87	22.2	1.70	43.3
BF-42R-1008	5/8"x1/2"	0.52	13.1	0.41	10.3	0.87	22.2	1.78	45.2



BOSHART
INDUSTRIES

© 2020 Boshart Industries Inc. All Rights Reserved.

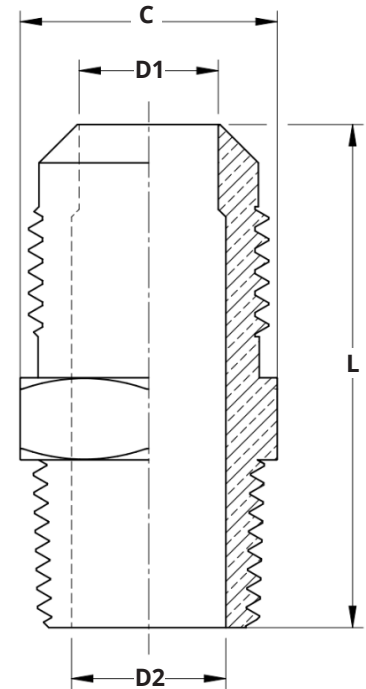
25 Whaley Avenue, PO Box 310, Milverton, ON CANADA N0K 1M0
Tel: 800-561-3164

boshart.com ♦ blog.boshart.com

BII-BF-45,BF-42(R)-0124(2711,604, 313)

BF-48 SERIES - FLARE x MPT HALF UNION

DIMENSIONS									
Part No.	Size (Flare x MPT)	D1		D2		C		L	
		in	mm	in	mm	in	mm	in	mm
BF-48-0202	1/8"x1/8"	0.08	2.11	0.22	5.56	0.44	11.1	1.00	25.4
BF-48-0302	3/16"x1/8"	0.13	3.18	0.22	5.56	0.44	11.1	1.00	25.4
BF-48-0304	3/16"x1/4"	0.13	3.18	0.34	8.71	0.44	11.1	1.17	29.7
BF-48-0402	1/4"x1/8"	0.19	4.78	0.22	5.56	0.44	11.1	1.04	26.4
BF-48-0404	1/4"x1/4"	0.19	4.78	0.34	8.71	0.56	14.3	1.10	27.9
BF-48-0408	1/4"x1/2"	0.19	4.78	0.59	15.1	0.87	22.2	1.29	32.8
BF-48-0502	5/16"x1/8"	12.7	5.50	0.22	5.50	0.56	14.3	1.26	32.0
BF-48-0504	5/16"x1/4"	12.7	5.50	0.34	8.71	0.56	14.3	1.26	32.0
BF-48-0506	5/16"x3/8"	12.7	5.50	0.44	11.1	0.69	17.5	1.33	33.8
BF-48-0508	5/16"x1/2"	12.7	5.50	0.58	14.7	0.87	22.2	1.37	34.7
BF-48-0602	3/8"x1/8"	0.28	7.14	0.22	5.54	0.63	15.9	1.23	31.2
BF-48-0604	3/8"x1/4"	0.28	7.14	0.34	8.71	0.63	15.9	1.34	34.0
BF-48-0606	3/8"x3/8"	0.28	7.14	0.44	11.1	0.69	17.5	1.37	34.8
BF-48-0608	3/8"x1/2"	0.28	7.14	0.58	14.7	0.87	22.2	1.42	36.1
BF-48-0612	3/8"x3/4"	0.28	7.14	0.75	19.1	1.06	27.0	1.55	39.4
BF-48-0804	1/2"x1/4"	0.41	10.3	0.34	8.70	0.75	19.1	1.46	37.1
BF-48-0806	1/2"x3/8"	0.41	10.3	0.45	11.5	0.75	19.1	1.47	37.3
BF-48-0808	1/2"x1/2"	0.41	10.3	0.59	15.1	0.87	22.2	1.52	38.5
BF-48-0812	1/2"x3/4"	0.41	10.3	0.78	19.8	1.06	27.0	1.68	42.7
BF-48-1006	5/8"x3/8"	0.50	12.7	0.41	10.3	0.87	22.2	1.70	43.2
BF-48-1008	5/8"x1/2"	0.50	12.7	0.59	15.1	0.87	22.2	1.66	42.1
BF-48-1012	5/8"x3/4"	0.50	12.7	0.75	19.1	1.06	27.0	1.81	46.0
BF-48-1208	3/4"x1/2"	0.69	17.5	0.58	14.7	1.06	27.0	1.83	46.5
BF-48-1212	3/4"x3/4"	0.69	17.5	0.75	19.1	1.06	27.0	1.97	50.0
BF-48-1408	7/8"x1/2"	0.75	19.1	0.53	13.5	1.25	31.8	2.07	52.5
BF-48-1412	7/8"x3/4"	0.75	19.1	0.75	19.1	1.25	31.8	2.35	59.7



For more information on installation, adjustment, repair & operation, visit Boshart Knowledge Base at

SUPPORT.BOSHART.COM



BOSHART
INDUSTRIES

© 2020 Boshart Industries Inc. All Rights Reserved.

25 Whaley Avenue, PO Box 310, Milverton, ON CANADA N0K 1M0
Tel: 800-561-3164

boshart.com ♦ blog.boshart.com

BII-BF-48-0124(2711,604, 313)