

WTC-A (ALUMINUM) & WTC-C (CAST IRON) WATERTIGHT TWO PIECE LOCKING WELL CAPS

*NOTE: THESE ARE TECHNICAL SPECIFICATIONS FOR THE NEW WTC PRODUCT LINE.

FEATURES:

- For use on steel or PVC well casings.
- Double O-ring seal ensures a reliable watertight and vermin proof seal between the cover and lower ring as well as between the lower ring and well casing.
- Two large, 3/4" diameter, 24 mesh screened air vents exceed the PAS-97 requirements ensuring the well can breathe during the pumping cycle as the water level is drawn down and replenishes to the static water level when the pump stops.
- Easy to install and maintains easy access to the well for maintenance.
- Ground bolt is supplied to facilitate grounding of the submersible pump and steel well casing. 3 set bolts secure the lower rings to the well casing and make a grounding bond to steel well casings.
- Locking feature provides a secure, tamper-proof installation (padlock not included).
- Durable black powder coat paint finish on cast iron well caps.

CERTIFICATIONS & SPECIFICATIONS:

- ASSE Standard #1093-2019 & WSC Standard PAS-97 (2019) Certified
 - Section 3.5 Tamper Resistance for Sanitary Well Caps
 - Section 3.6 Venting for Sanitary Well Caps
 - Section 3.7 Water-Resistant Capability for Sanitary Well Caps



ASSE Standard
#1093-2019 &
WSC Standard
PAS-97 (2019)

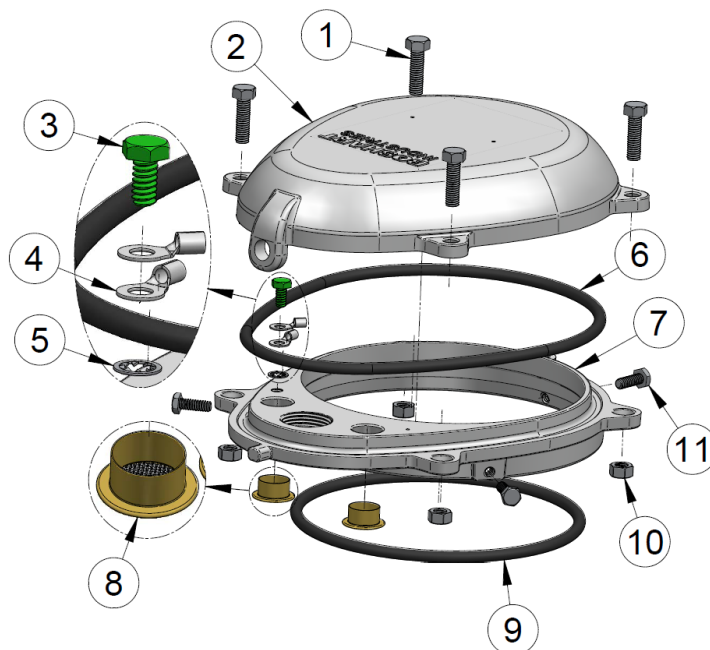


**WTC-Axxx
Aluminum Series**



**WTC-Cxxx
Cast Iron Series**

MATERIAL LIST			
No.	Qty.	Part Name	Material
1	4	5/16" - 18 UNC x 1-1/8" Long Hex Bolt	Stainless Steel 18.8
2	1	Top Cover Casting	ADC Aluminum (WTC-Axxx)
			ASTM A48, Class 20 Gray Cast Iron (WTC-Cxxx)
3	1	1/4" - 20 UNC x 1/2" Long Ground Hex Bolt	Stainless Steel 18.8 Zinc Plated Green
4	2	Wire Terminals for Up to 8 Gauge Wire for 1/4" Ground Bolt	Tin Plated Copper
5	1	1/4" Retaining Washer - ASME B18.21.1	Stainless Steel 18.8
6	1	Top Cover O-Ring 7.975" (202.57 mm) I.D. x 0.275" (6.99 mm) C.S.	NBR (AS568-445)
7	1	Bottom Ring Casting	ADC 10 Aluminum (WTC-Axxx)
			ASTM A48, Class 20 Gray Cast Iron (WTC-Cxxx)
8	2	Vents - 0.354 in ² Total Open Area	Brass Housing with 24 Stainless Steel Mesh
9	1	Casing O-Ring 6.475" (164.47 mm) I.D. x 0.275" (6.99 mm) C.S.	NBR (AS568-439)
10	4	5/16 - 18 UNC Hex Nut	Stainless Steel 18.8
11	3	1/4 - 20 UNC x 3/4" Long Set Bolt	Stainless Steel 18.8

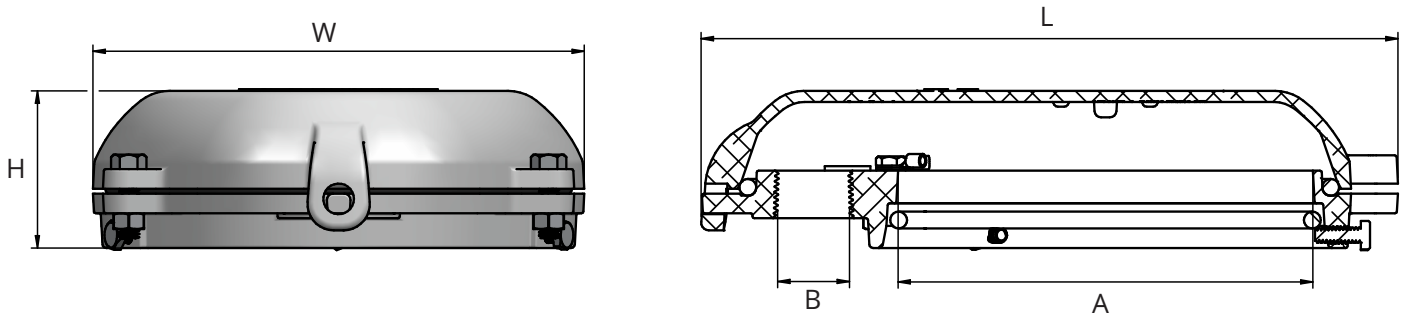


BOSHART
INDUSTRIES

25 Whaley Avenue, PO Box 310, Milverton, ON CANADA N0K 1M0
Tel: 800-561-3164

boshart.com ♦ blog.boshart.com

WTC-A & WTC-C WELL CAP DIMENSIONS:



DIMENSIONS									
Part No.		Casing O.D.	Conduit Connection	W		L		H	
Cast Iron	Aluminum	A	B (FPT)	inches	mm	inches	mm	inches	mm
-----	WTC-A05	5-9/16"	1"	7.597	192.96	10.317	262.05	2.561	65.05
WTC-C06	WTC-A06	6-5/8"	1"	8.015	203.58	11.366	288.70	2.561	65.05
	WTC-A06-BLK (Black Finish)								
WTC-C06-12	WTC-A06-12	6-5/8"	1-1/4"	8.015	203.58	11.366	288.70	2.561	65.05



**WTC-Axxx
Aluminum Series**



**WTC-Cxxx
Cast Iron Series**

For more information on installation, adjustment, repair & operation, visit Boshart Knowledge Base at

SUPPORT.BOSHART.COM



25 Whaley Avenue, PO Box 310, Milverton, ON CANADA N0K 1M0
Tel: 800-561-3164

boshart.com ♦ blog.boshart.com