

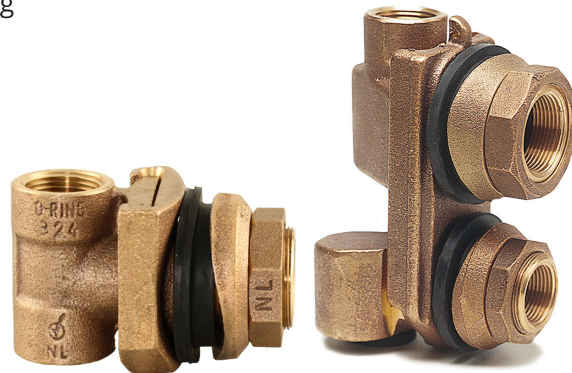
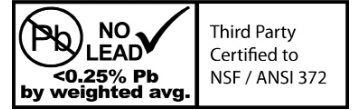
PA-NL SERIES NO LEAD BRONZE PITLESS ADAPTER

SPECIFICATION:

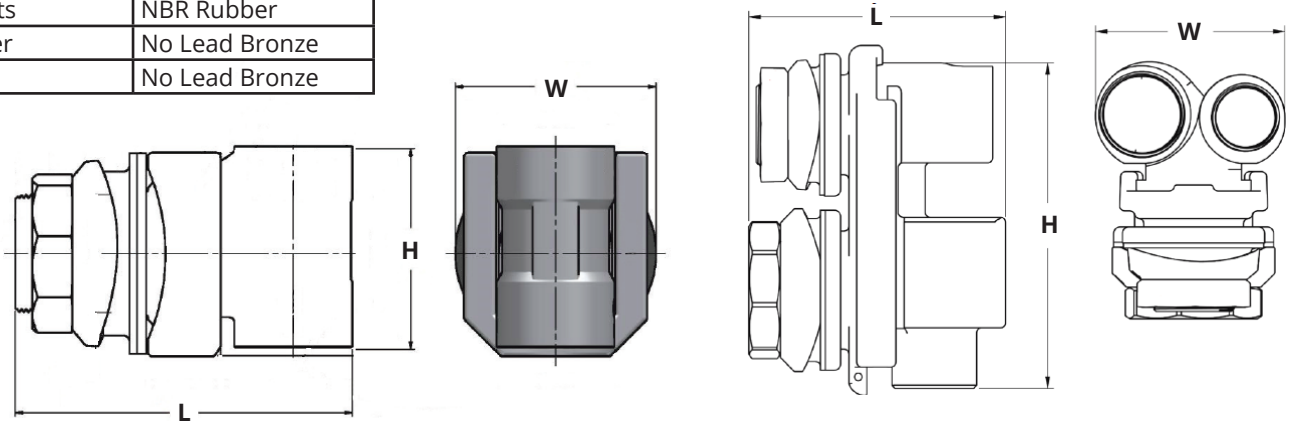
- Threads conform to ANSI/ASME B1.20.1
- Heavy duty castings
- Fits 4-1/2" to 12" I.D. casing sizes
- Large gaskets ensure positive seal to well casing
- Chamfered slide for easy installation

CERTIFICATION:

- NSF/ANSI Standard 372 Certified
- * Water Systems Council listed PAS-97 (2017)



| MATERIAL LIST | |
|---------------|----------------|
| Name | Materials |
| Elbow | No Lead Bronze |
| Slide | No Lead Bronze |
| O-ring | NBR Rubber |
| Gaskets | NBR Rubber |
| Washer | No Lead Bronze |
| Nut | No Lead Bronze |



| DIMENSIONS | | | | | | | | | | | | |
|-------------------------|----------------|------------------|---------------|--------------------|--------------|--------|--------|--------|--------|--------|--------|--------|
| Part No. | Drop Pipe Size | Casing Size I.D. | Hole Saw Size | Replacement O-ring | Working Load | H | | L | | W | | Weight |
| | Inches | Inches | Inches | Standard | lbs | inches | mm | inches | mm | inches | mm | grams |
| Single Drop Pipe | | | | | | | | | | | | |
| PA-800NL | 1 | 5 - 12 | 1-3/4 | AS568-324 | 900 | 2.84 | 72.14 | 4.35 | 110.49 | 2.72 | 69.09 | 1334 |
| PA-100NL * | 1 | 5 - 12 | 1-3/4 | AS568-324 | 2000 | 2.77 | 70.36 | 4.47 | 113.54 | 2.66 | 67.56 | 1432 |
| PA-125NL * | 1-1/4 | 5 - 12 | 2-1/8 | AS568-326 | 2000 | 3.15 | 80.01 | 5.16 | 131.06 | 3.15 | 80.01 | 2389 |
| PA-200NL * | 2 | 5-5/8 - 12 | 3-1/8 | AS568-332 | 5000 | 4.75 | 120.65 | 6.76 | 171.70 | 4.55 | 115.57 | 6380 |
| Double Drop Pipe | | | | | | | | | | | | |
| PA-2XNL * | 1 & 1-1/4 | 4-1/2 - 12 | 1-3/4 & 2-1/8 | AS568-325 | 2000 | 6.40 | 162.56 | 5.06 | 128.52 | 3.73 | 94.74 | 3670 |



25 Whaley Avenue, PO Box 310, Milverton, ON CANADA N0K 1M0
Tel: 800-561-3164

boshart.com ♦ blog.boshart.com