

FSACW-CI - CAST IRON ADJUSTABLE CABLE WEIGHT

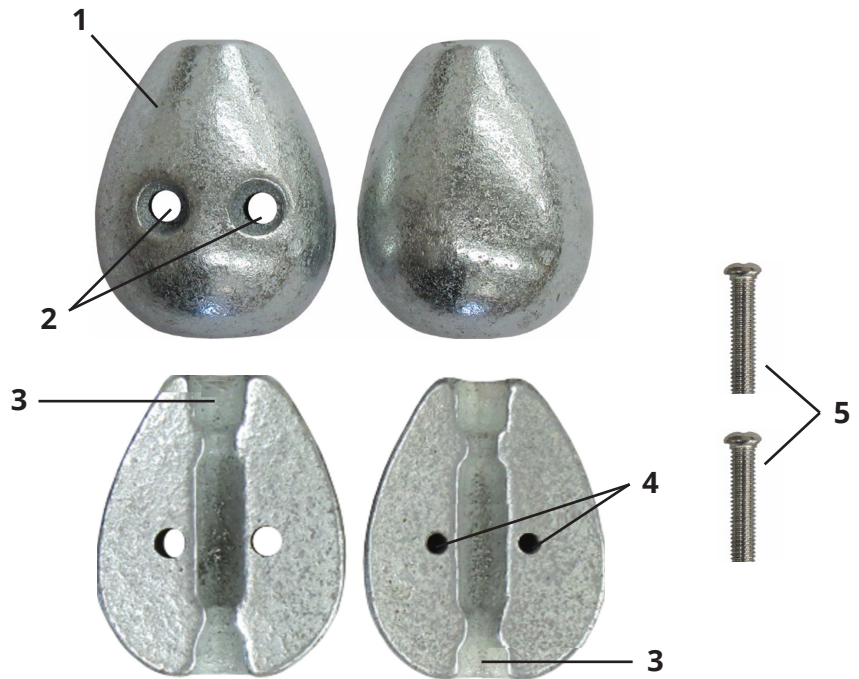
APPLICATIONS:

- Cable weights are used as a pivot point for the activation of a control or pump float switch. They are typically used in a tank where the float switch is suspended from a mounted float bracket or per local codes.
- Allow for easy adjustment of the tether length on the sensor or non-internally weighted float switches.
- Common applications include lift stations, septic tanks, holding tanks, pump chambers, and water tanks.
- Suitable for water, wastewater, and sewage applications and for fluids containing solid matter.
- Float position can be adjusted from outside of the tank. There is no need to tether the cord to a pipe inside a sewage holding pit.



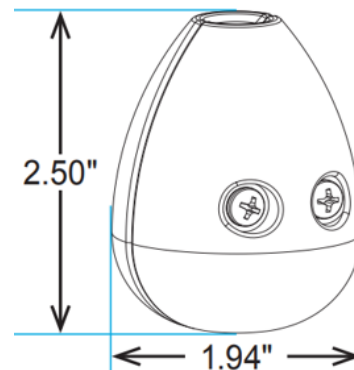
FEATURES:

- 1. Cable Weight Halves:** Cast iron cable weight is separated into two halves to affix around the float switch cable.
- 2. Screw Holes:** Two screw holes are located on the front of the outside portion of the cable weight.
- 3. Cable Slots:** The slots are located on both inside halves of the cable weight, sized for 18 AWG to 14 AWG type float switch cables. The bottom side of the weight acts as a pivot point for the control or pump float switch.
- 4. Threaded Screw Holes:** Two threaded screw holes are located on the inside, back portion of the cable weight.
- 5. Screws:** Two screws are included to fasten both halves of the cable weight together.



SPECIFICATIONS:

- Weight: 1.20 lbs
- For use in liquids up to 200 °F (93.3 °C)
- Designed for use with 18 AWG to 14 AWG type float switch cables (0.28 to 0.39 inch diameter).
- Made from zinc plated cast iron (with stainless steel screws), increasing resistance to harsh chemicals.



BOSHART
INDUSTRIES

25 Whaley Avenue, PO Box 310, Milverton, ON CANADA N0K 1M0
Tel: 800-561-3164

boshart.com ♦ blog.boshart.com

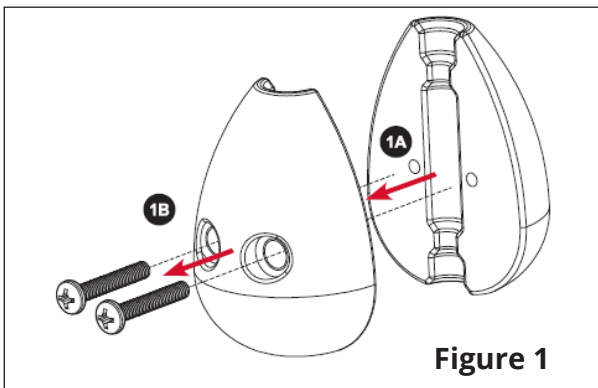


Figure 1

FSACW-CI Quick Start Guide

1. The cable weight consists of two halves, remove the two screws until they release from the screw holes and pull directly away (Figure 1).
2. Determine the desired activation level, place the float switch cable in the cable slot on the bottom half, and tether to appropriate length (Figure 2).
*Correct installation position is with the narrow end of the cable weight up.
3. Secure the float switch cable by aligning the screw holes and tighten so both halves of the cable weight are snug against the cable (Figure 3). Perform a pull test. If the float switch cable slips, tighten the screws until it is securely fastened to prevent slipping.
4. Suspend the float switch with the cable weight at the determined activation level using a mounted float bracket or per local codes (Figure 4).
5. Wire the float switch cable per the manufacturer's instructions.
6. Check installation by cycling the float on and off to ensure proper system operation.

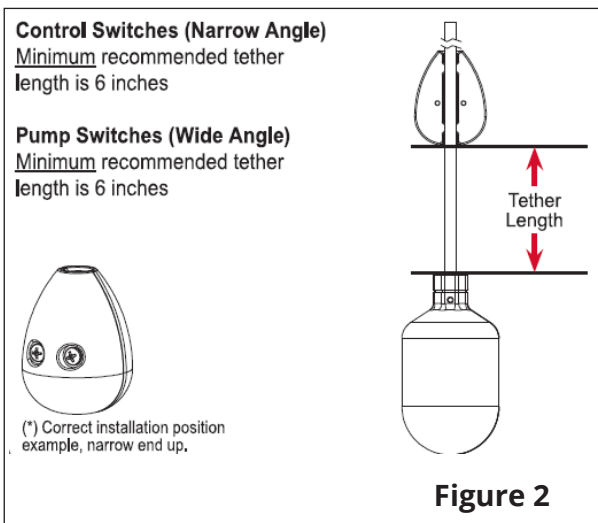


Figure 2

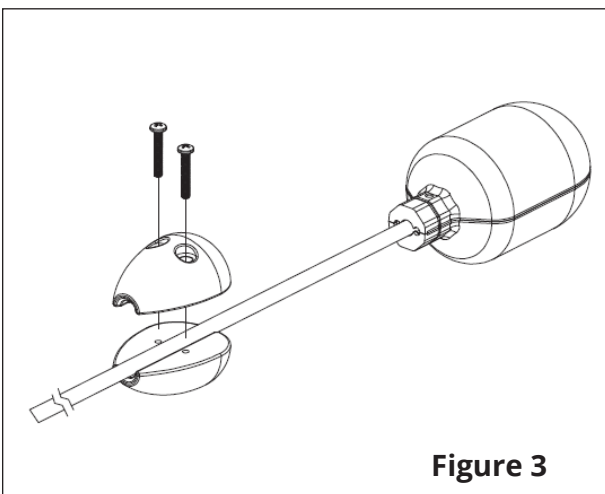


Figure 3

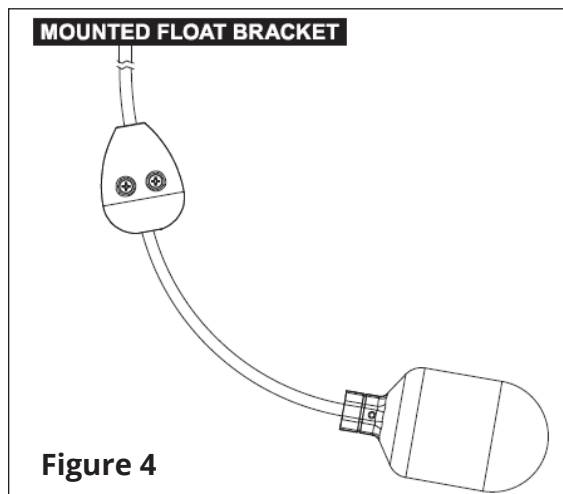


Figure 4

For more information on installation, adjustment, repair & operation, visit Boshart Knowledge Base at

SUPPORT.BOSHART.COM



BOSHART
INDUSTRIES

25 Whaley Avenue, PO Box 310, Milverton, ON CANADA N0K 1M0
Tel: 800-561-3164

boshart.com ♦ **blog.boshart.com**