

# 19-HP HEAVY DUTY CAST IRON HAND PUMP

## APPLICATIONS:

- For shallow well applications
- For outdoor and indoor installation
- Practical and decorative installation: wells, flower bed, sheds, kitchen counters
- Safe for use with drinking water
- The hand pump is for shallow well use only, with a maximum pumping depth of 25' at sea level

\*Atmospheric pressure becomes less as the altitude above sea level increases. For use at higher elevations, subtract 1 foot of depth per 1000 foot elevation to determine the maximum pumping depth

## FEATURES:

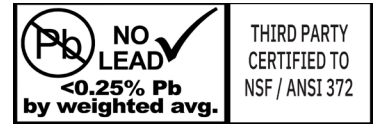
- Easy installation
  - Open spout
  - Swivel Handle: Handle position can move in conjunction with the spout which is beneficial when space is limited. Loosen the bolt where the handle attaches to the pump, turn to the desired position, and re-tighten.
  - Drain: As a precaution against water freezing in the pump and pipe, lift the handle completely to open the pump valve, and drain the water into the well.
  - When constant water accessibility is required, and freezing is not a problem, a foot valve may be placed at the bottom of the pipe to eliminate the need for priming.
- \*The addition of any external check or foot valve prohibits the drain feature from being activated.

## SPECIFICATIONS:

- Depth rating of 25 ft.
- Tapped for 1-1/4" drop pipe
- 3" I.D. cylinder barrel
- 12.80 lbs

## CERTIFICATION:

- NSF/ANSI Standard 372 Certified



## REPLACEMENT PARTS:

A variety of replacement parts are available for the hand pump.

### PART NO: 19-HP-01

- 3" plunger assembly



### PART NO: 19-HP-02

- Valve leather and weight assembly



### PART NO: 19-HP-06

- Valve and cup leather

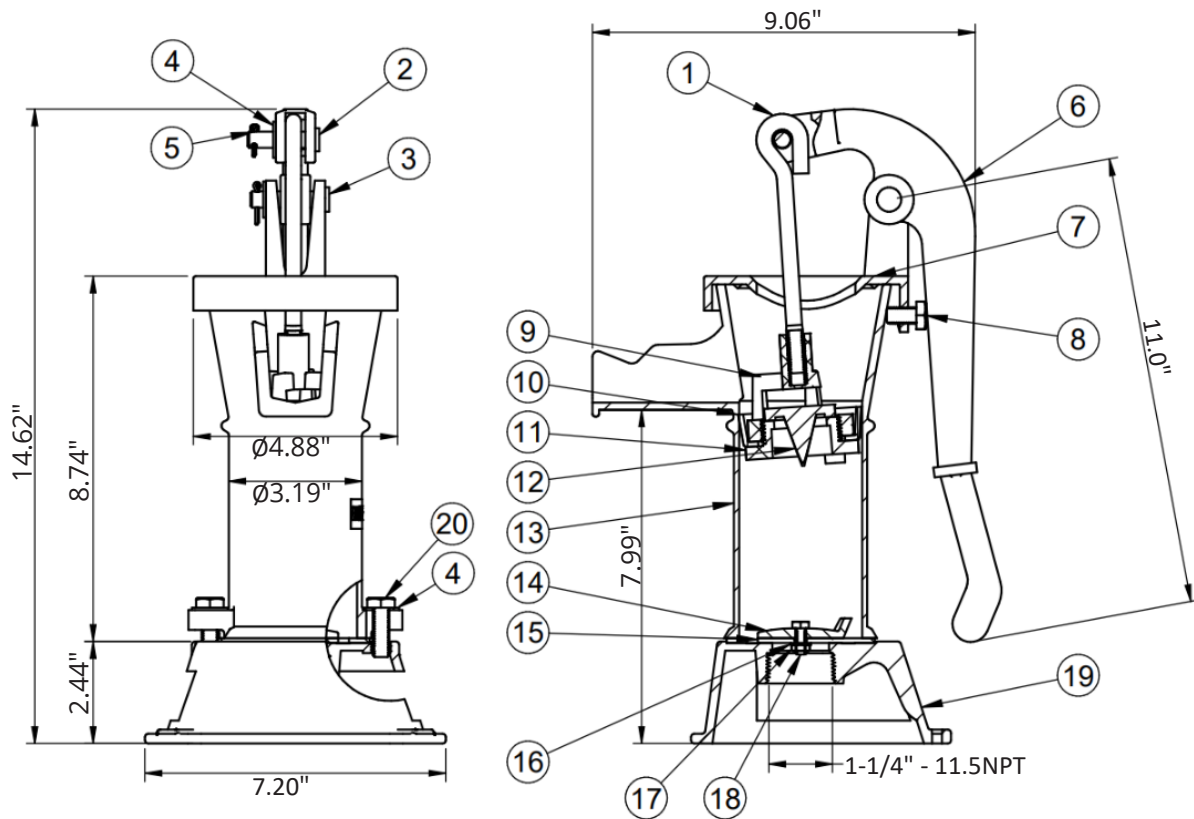


**BOSHART**  
INDUSTRIES

25 Whaley Avenue, PO Box 310, Milverton, ON CANADA N0K 1M0  
Tel: 800-561-3164

[boshart.com](http://boshart.com) ♦ [blog.boshart.com](http://blog.boshart.com)

# 19-HP HEAVY DUTY CAST IRON HAND PUMP



## MATERIAL LIST

Part Name	Material	Part Name	Material		
1	Plunger Rod	Zinc Plated Steel (ASTM A36)	11	Threaded Nut	Aluminum (ASTM A03600)
2	Short Clevis Pin	Zinc Plated Steel (ASTM A36)	12	Plunger Weight	Rough Gray Iron (ASTM A48 No. 20/25)
3	Long Clevis Pin	Zinc Plated Steel (ASTM A36)	13	Pump Cylinder	Gray Iron (ASTM A48 No. 20/25)
4	Flat Washer	Zinc Plated Steel (ASTM A36)	14	Flat Valve Weight	Rough Gray Iron (ASTM A48 No. 20/25)
5	Cotter Pin	Zinc Plated Steel (ASTM A36)	15	Flat Valve Leather	Leather
6	Pump Handle	Gray Iron (ASTM A48 No. 20/25)	16	Flat Washer	Zinc Plated Steel (ASTM A36)
7	Pump Top	Gray Iron (ASTM A48 No. 20/25)	17	Hex. Nut	Zinc Plated Steel (ASTM A36)
8	Set Screw	Zinc Plated Steel (ASTM A36)	18	Valve Bolt	Zinc Plated Steel (ASTM A36)
9	Plunger Cage	Aluminum (ASTM A03600)	19	Pump Base	Gray Iron (ASTM A48 No. 20/25)
10	Cup Leather	Leather	20	Hex. Bolt	Zinc Plated Steel (ASTM A36)

For more information on installation, adjustment, repair & operation, visit Boshart Knowledge Base at

[SUPPORT.BOSHART.COM](http://SUPPORT.BOSHART.COM)



**BOSHART**  
INDUSTRIES

25 Whaley Avenue, PO Box 310, Milverton, ON CANADA N0K 1M0  
Tel: 800-561-3164

[boshart.com](http://boshart.com) ♦ [blog.boshart.com](http://blog.boshart.com)