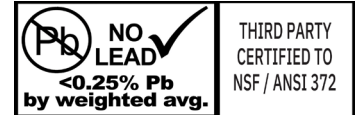


TA-48(D) & TA20-68D SERIES SUBMERSIBLE TORQUE ARRESTOR

FEATURES:

- Protects submersible pumps from starting torque damage
- Field-adjustable with snug fit
- Two piece design for quick installation; three piece for TA20-68D-BLK
- Eliminates flashing problems
- Two all stainless steel clamps are included for each arrestor

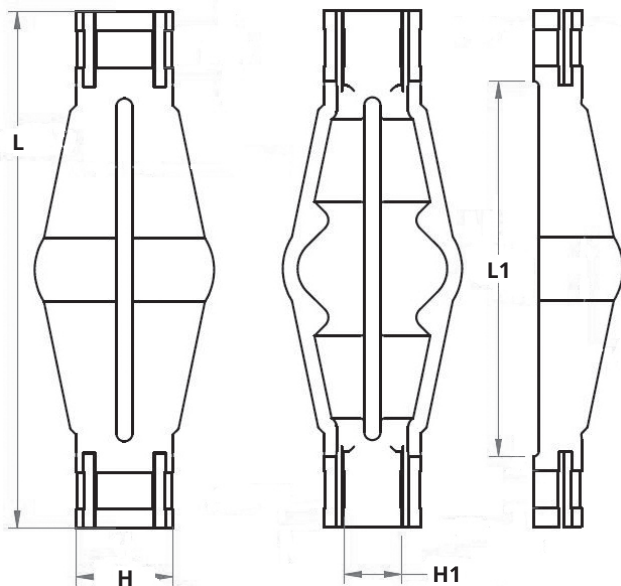


SPECIFICATION:

- Materials: Thermoplastic Rubber (TPR)
Flexible Poly Vinyl Chloride (PVC)-(TA-48-PVC only)
201 Stainless Steel-Clamps

CERTIFICATION:

- NSF/ANSI Standard 372 Certified



DIMENSIONS													
Part No.	Colour	Casing	Drop Pipe	H		H1		L		L1		Weight	
		Size	Size	inches	mm	inches	mm	inches	mm	inches	mm	lbs	kgs
Standard Thermoplastic Rubber (TPR) / PVC													
TA-48-BLK	Black	4" to 8"	1" & 1-1/4"	2.22	56.39	1.32	33.53	11.88	301.75	8.63	219.20	1.50	.68
TA-48-GREEN	Green	4" to 8"	1" & 1-1/4"	2.22	56.39	1.32	33.53	11.88	301.75	8.63	219.20	1.50	.68
TA-48-PVC	Black	4" to 8"	1" & 1-1/4"	2.22	56.39	1.00	25.40	11.88	301.75	8.38	212.85	1.65	.75
Deluxe Thermoplastic Rubber (TPR)													
TA-48D-BLK	Black	4" to 8"	1" & 1-1/4"	2.31	58.67	1.34	34.04	11.38	289.05	8.06	204.72	1.54	.70
TA-48D-GREEN	Green	4" to 8"	1" & 1-1/4"	2.31	58.67	1.34	34.04	11.38	289.05	8.06	204.72	1.54	.70
Three Piece Thermoplastic Rubber (TPR)													
TA20-68D-BLK	Black	6" to 8"	2"	2.31	58.67	1.34	34.04	11.38	289.05	8.06	204.72	2.20	1.00

For installation, go to this link: <https://support.boshart.com/what-is-the-purpose-of-a-torque-arrestor>

For option for 1-1/2" drop pipe, go to this link: <https://support.boshart.com/do-you-have-a-torque-arrestor-for-1-1/2-drop-pipe>



25 Whaley Avenue, PO Box 310, Milverton, ON CANADA N0K 1M0
Tel: 800-561-3164

boshart.com ♦ blog.boshart.com