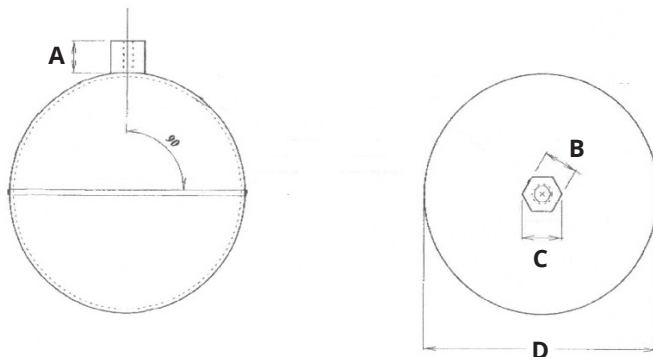


# 28-BFVF-S SERIES STAINLESS STEEL FLOATS

## SPECIFICATION:

- Material: AISI 304 Stainless Steel
- Suitable for use in corrosive fluids where high pressure or extreme temperatures may exist
- Welded seam with smooth finish



MATERIAL LIST											
Part No.	Buoyancy in Lbs	External Connection	A		B		C		D		Weight grams
			inches	mm	inches	mm	inches	mm	inches	mm	
28-BFVF-S3	0.21	1/4" - 20 SAE	0.40	10.16	0.44	11.10	0.51	12.83	3.00	76.20	103
28-BFVF-S4	0.65	1/4" - 20 SAE	0.40	10.16	0.44	11.10	0.51	12.83	4.00	101.60	170
28-BFVF-S5	1.55	1/4" - 20 SAE	0.40	10.16	0.44	11.10	0.51	12.83	5.00	127.00	290
28-BFVF-S6	2.15	1/4" - 20 SAE	0.40	10.16	0.44	11.10	0.51	12.83	6.00	152.40	390
28-BFVF-S8	6.50	3/8" - 16 SAE	0.68	17.27	0.72	18.34	0.63	15.88	8.00	203.20	720

\*Note: It is not recommended to use less than an 8" diameter float with 1-1/4" to 2" valves. Due to a lack of buoyancy - 6" & smaller floats can be used where inlet pressure is very low.

**BOSHART**  
INDUSTRIES

25 Whaley Avenue, PO Box 310, Milverton, ON CANADA N0K 1M0  
Tel: 800-561-3164

[boshart.com](http://boshart.com) ♦ [blog.boshart.com](http://blog.boshart.com)