

# 0806 SERIES - NO LEAD BRASS SWING CHECK VALVES

Swing check valves ensure that fluid flows in one direction only. A disc in the valve closes when the pressure of the flow decreases, ensuring there is no back flow. They are typically used in plumbing and heating systems. They can be installed in either a horizontal or vertical orientation (must have upward flow in the vertical position) and flow must be in the direction of the arrow on the valve body.

## SPECIFICATIONS:

- Sweat connections conform to ANSI B16.18 and thread connections conform to ANSI B1.20.1
- Maximum Pressure Rating: 200 PSI WOG Non-Shock
- WOG pressure rating is based on ambient temperature
- Maximum Temperature Rating: 180 °F (82.2 °C)
- Suitable for oil, gas, and diesel fuel applications
- Not suitable for combustible gas or steam applications
- Cracking Pressure: 0 PSI

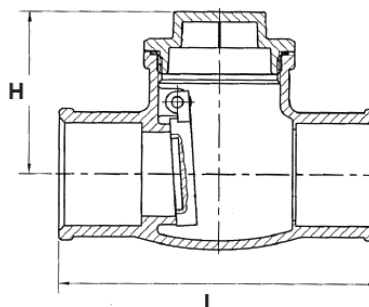
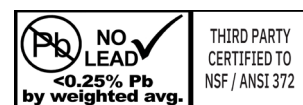


## CERTIFICATIONS:

- NSF/ANSI 372 Certified (NL test criteria <0.25% Pb by weighted average)

# 0806xx12NL SERIES - NO LEAD BRASS SWING CHECK VALVE (CxC)

PRESSURE RATING		
Flow Rate	Pressure Drop	Cv Factor
GPM @ 25 PSI	PSI	
11.40	5	5.09
20.25	5	9.05
39.42	5	17.62
59.53	5	26.61
73.88	5	33.02
103.03	5	46.05
267.72	10	84.60
299.39	10	94.61

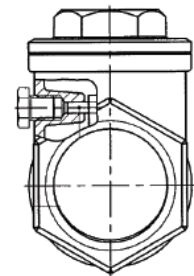
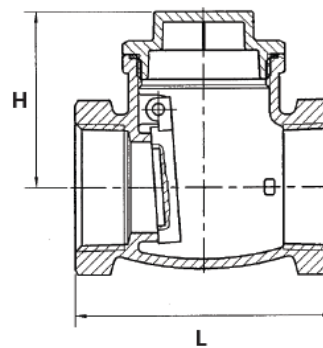
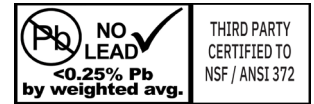


MATERIAL LIST	
Part Name	Material
Cap	NL Cast Brass (C46400)
Packing	Vulcanized Fibre
Disc	NL Cast Brass (C46400)
Body	NL Cast Brass (C46400)
Bolt	NL Brass (C46400)
Pin	NL Brass (C46400)

DIMENSIONS								
Part No.	Size	Port Diameter		L		H		Weight
		in	mm	in	mm	in	mm	grams
08060312NL	1/2" CxC	0.52	13.2	2.40	61.0	1.40	35.5	180
08060412NL	3/4" CxC	0.75	19.1	3.15	80.0	1.52	38.5	250
08060512NL	1" CxC	0.93	23.6	3.50	89.0	1.73	44.0	380
08060612NL	1-1/4" CxC	1.25	31.8	4.15	105.5	2.07	52.5	670
08060712NL	1-1/2" CxC	1.38	35.1	4.57	116.0	2.13	54.0	830
08060812NL	2" CxC	1.81	46.0	5.47	139.0	2.68	68.0	1330
08060912NL	2-1/2" CxC	2.36	59.9	6.89	175.0	3.09	78.5	2360
08061012NL	3" CxC	2.56	65.0	7.68	195.0	3.80	96.5	3750

# 0806xx11NL SERIES - NO LEAD BRASS SWING CHECK VALVE (THREADED)

PRESSURE RATING		
Flow Rate	Pressure Drop	Cv Factor
GPM @ 25 PSI	PSI	
11.40	5	5.09
20.25	5	9.05
39.42	5	17.62
59.53	5	26.61
73.88	5	33.02
103.03	5	46.05
267.72	10	84.60
299.39	10	94.61
357.97	10	113.12



MATERIAL LIST	
Part Name	Material
Cap	NL Cast Brass (C46400)
Packing	Vulcanized Fibre
Disc	NL Cast Brass (C46400)
Body	NL Cast Brass (C46400)
Bolt	NL Brass (C46400)
Pin	NL Brass (C46400)

DIMENSIONS								
Part No.	Size	Port Diameter		L		H		Weight
		in	mm	in	mm	in	mm	grams
08060311NL	1/2" FPT	0.52	13.2	2.09	53.0	1.42	36.0	190
08060411NL	3/4" FPT	0.75	19.1	2.36	60.0	1.56	39.5	260
08060511NL	1" FPT	0.93	23.6	2.62	66.5	1.77	45.0	370
08060611NL	1-1/4" FPT	1.25	31.8	3.19	81.0	2.07	52.5	640
08060711NL	1-1/2" FPT	1.38	35.1	3.54	90.0	2.17	55.0	790
08060811NL	2" FPT	1.81	46.0	4.21	107.0	2.74	69.5	1250
08060911NL	2-1/2" FPT	2.36	59.9	5.14	130.5	3.09	78.5	2230
08061011NL	3" FPT	2.56	65.0	5.77	146.5	3.80	96.5	3280
08061111NL	4" FPT	3.54	89.9	6.84	173.7	4.25	108.0	5410

For more information on installation, adjustment, repair & operation, visit Boshart Knowledge Base at

[SUPPORT.BOSHART.COM](http://SUPPORT.BOSHART.COM)



# BOSHART

## INDUSTRIES

25 Whaley Avenue, PO Box 310, Milverton, ON CANADA N0K 1M0  
Tel: 800-561-3164

[boshart.com](http://boshart.com) ♦ [blog.boshart.com](http://blog.boshart.com)