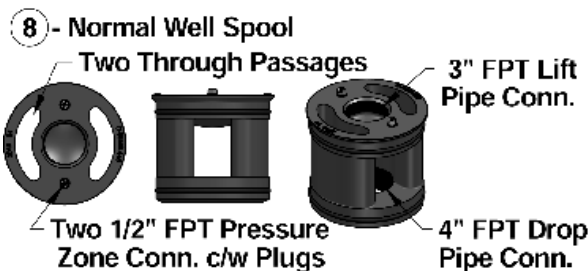
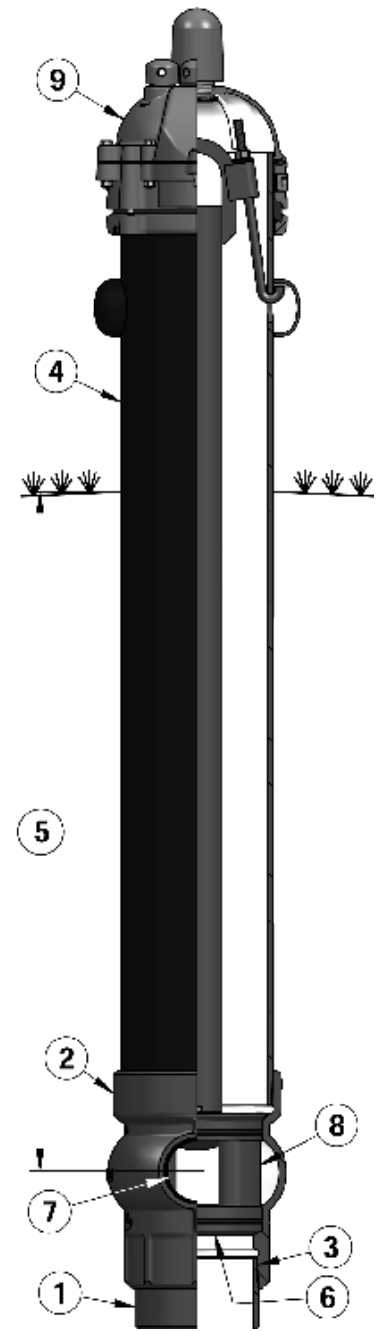


REQUEST FOR QUOTATION 8" WELL CASING x 4" FPT DROP PIPE INDUSTRIAL PITLESS UNIT

COMPANY:		DATE:
CONTACT NAME:		JOB REF:
ADDRESS:		
CITY:	PROVINCE/STATE:	POSTAL CODE/ZIP:
PHONE:	FAX:	
E-MAIL:		# OF UNITS:

PART	DESCRIPTION	FIG.
P	Pitless Unit for Submersible Pump	
08	Well Casing Size	1
	Material:	2
	Material = D (Ductile Iron) or S (Stainless Steel)	2
W	Well Casing Connection = W (Weld Nipple, Hand Tightened Only) as standard option, can be removed to make a FPT Connection.	3
	Upper Barrel Type:	4
	<ul style="list-style-type: none"> ▪ B (Black Painted Steel) Standard/Schedule 40 0.365" wall ▪ I (Black Painted Steel) with Isolation Flanges Suggested option for connecting a stainless steel pitless discharge housing to steel upper barrel / well casing to eliminate contact of dissimilar metals and galvanic corrosion.	
	<ul style="list-style-type: none"> ▪ S (304 Stainless Steel) Schedule 20 0.25" wall ▪ H (304 Stainless Steel) Standard/Schedule 40 0.365" wall ▪ P (PVC) Schedule 40 0.365" wall Supplied with Hold-Down Hook / Torque Arrestor Assemblies	
	Bury Depth = in feet 3, 4, 5, 6, 7, 8, 9, 10	5
F	Drop Pipe Connection - Female NPT (FPT) as standard option	6
4	Drop Pipe Size - 4" standard option	6
	Material:	6
F	Discharge Connection - Female NPT (FPT) as standard option	7
4	Discharge Size - 4" standard option	7
	Material:	7
	Well / Spool Type:	8
	<ul style="list-style-type: none"> ▪ N (Normal Well) - Open Through Passage Spool ▪ F (Flowing Well) - Closed Spool with Tapings for Cable Seals 	
	Well Cap:	9
	<ul style="list-style-type: none"> ▪ C (Cast Iron) as standard option (PN: WTCL-C10) ▪ N (No Cap) 	



All Flowing Well Spools are 304 Stainless Steel

See page 3 for further details.

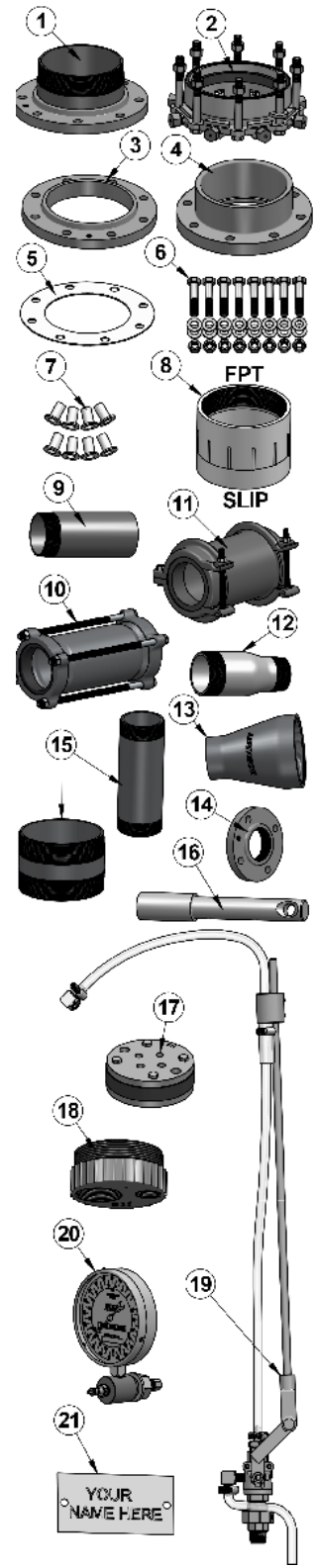


25 Whaley Avenue, PO Box 310, Milverton, ON CANADA N0K 1M0
Tel: 800-561-3164

boshart.com ♦ blog.boshart.com

	PART NAME	FIG.	DESCRIPTION	QTY.	
WELL CASING transition from 8" FPT	FL-DIQC-080	2	8" Ductile Iron Quick Connect Flange (EBAA #2108 MEGA Flange)		
	FL-FSM-080	1	8" MPT x 13-1/2" O.D. F.S. Flange / Sch. 40 Weld Nipple Assembly (5-1/4" L.)		
	FL-FSSW-080	3	8" SLIP x 13-1/2" O.D. F.S. Class 150 Flange		
	FL-SS304M-080	1	8" MPT x 13-1/2 O.D. 304 S.S. Flange / Sch. 40 Weld Nipple Assembly (5-1/4" L.)		
	FL-SS304SW-080	3	8" SLIP x 13-1/2" O.D. 304 S.S. Class 150 Flange		
	854-080	4	8" Slip x 13-1/2" O.D. PVC Class 150 Flange		
	IPA-DG08	5	8" x 13-1/2" O.D. Durlon Class 150 Gasket		
	IPA-SSBK08	6	8" S.S. Class 150 Bolt Kit (8) 3/4"-10NC x 3-1/2" L. Bolts c/w Nuts & Washers		
	IPA-IK08	7	8" Class 150 Flange Isolation Kit		
	GN-8060	15	8" x 6" Sch. 40 Galvanized Nipple		
	SS304N-8060	15	8" x 6" Sch. 40 304 S.S. Nipple		
435-080	8	8" FPT x 8" Slip PVC Female Adapter			
DROP PIPE transition from 4" FPT to...	GN-40120	15	4" x 12" Sch. 40 Galvanized Nipple		
	GHN-40120	15	4" x 12" Sch. 80 Galvanized Nipple		
	GHSWN-4020	12	4" MPT x 2" MPT x 9" L. Sch. 80 Zinc Plated Swage Nipple		
	IPGHRC-4030	13	4" FPT x 3" FPT x 9" L. Heavy Duty Zinc Plated Reducing Coupling		
	IPGHRC-6040	13	6" FPT x 4" FPT x 12" L. Heavy Duty Zinc Plated Reducing Coupling		
	<i>All Flowing Well Spools are 304 Stainless Steel, Stainless or PVC Drop Pipe Recommended to Avoid Dissimilar Metals.</i>				
	SSH304N-40120	15	4" x 12" Sch. 80 304 Stainless Steel Nipple		
	SSH304SWN-4020	12	4" MPT x 2" MPT x 9" L. Sch. 80 304 S.S. Swage Nipple		
	IPSSH304RC-4030	13	4" FPT x 3" FPT x 9" L. Heavy Duty 304 S.S. Reducing Coupling		
	IPSSH304RC-6040	13	6" FPT x 4" FPT x 12" L. Heavy Duty 304 S.S. Reducing Coupling		
	DISCHARGE transition from 4" FPT to...	GHN-40120T	9	4" x 12" Sch. 80 Galvanized T.O.E. Nipple	
MJ-DIQC-040		10	4" (4-1/2" O.D.) x 12" Ductile Iron M.J. Coupling (FORD #FC3-450-12-P)		
GHSWN-4020		12	4" MPT x 2" MPT x 9" L. Sch. 80 Zinc Plated Swage Nipple		
IPGHRC-4030		13	4" FPT x 3" FPT x 9" L. Heavy Duty Zinc Plated Reducing Coupling		
IPGHRC-6040		13	6" FPT x 4" FPT x 12" L. Heavy Duty Zinc Plated Reducing Coupling		
GHN-4060		15	4" x 6" Sch. 80 Galvanized Nipple		
FL-FST-020		14	2" FPT X 6" O.D. F.S. Class 150 Threaded Flange		
FL-FST-030		14	3" FPT X 7-1/2" O.D. F.S. Class 150 Threaded Flange		
FL-FST-040		14	4" FPT X 9" O.D. F.S. Class 150 Threaded Flange		
FL-FST-060		14	6" FPT X 11" O.D. F.S. Class 150 Threaded Flange		
SS304N-40120T		9	4" x 12" Sch. 80 304 S.S. T.O.E. Nipple		
MJ-SS304QC-040		11	4" (4-1/2" O.D.) x 11.70" 304 S.S. M.J. Coupling (ROBAR MODEL#1696-2B)		
SSH304SWN-4020		12	4" MPT x 2" MPT x 9" L. Sch. 80 304 S.S. Swage Nipple		
IPSSH304RC-4030		13	4" FPT x 3" FPT x 9" L. Heavy Duty 304 S.S. Reducing Coupling		
IPSSH304RC-6040		13	6" FPT x 4" FPT x 12" L. Heavy Duty 304 S.S. Reducing Coupling		
SSH304N-4060		15	4" x 6" Sch. 80 304 S.S. Nipple		
FL-SS304T-020		14	2" FPT X 6" O.D. 304 S.S. Class 150 Threaded Flange		
FL-SS304T-030		14	3" FPT X 7-1/2" O.D. 304 S.S. Class 150 Threaded Flange		
FL-SS304T-040		14	4" FPT X 9" O.D. 304 S.S. Class 150 Threaded Flange		
FL-SS304T-060		14	6" FPT X 11" O.D. 304 S.S. Class 150 Threaded Flange		
852-020		14	2" FPT X 6" O.D. PVC Class 150 Threaded Flange		
852-030		14	3" FPT X 7-1/2" O.D. PVC Class 150 Threaded Flange		
852-040		14	4" FPT X 9" O.D. PVC Class 150 Threaded Flange		
852-060		14	6" FPT X 11" O.D. PVC Class 150 Threaded Flange		
IPA-DG02		5	2" x 6" O.D. Durlon Class 150 Gasket		
IPA-DG03		5	3" x 7-1/2" O.D. Durlon Class 150 Gasket		
IPA-DG04		5	4" x 9" O.D. Durlon Class 150 Gasket		
IPA-DG06		5	6" x 11" O.D. Durlon Class 150 Gasket		
IPA-SSBK02		6	2" S.S. Class 150 Bolt Kit (4) 5/8" -11NC x 2-3/4" L. Bolts c/w Nuts & Washers		
IPA-SSBK03		6	3" S.S. Class 150 Bolt Kit (4) 5/8"-11NC x 3" L. Bolts c/w Nuts & Washers		
IPA-SSBK04		6	4" S.S. Class 150 Bolt Kit (8) 5/8"-11NC x 3" L. Bolts c/w Nuts & Washers		
IPA-SSBK06		6	6" S.S. Class 150 Bolt Kit (8) 3/4"-10NC x 3-1/2" L. Bolts c/w Nuts & Washers		
IPA-IK02		7	2" Class 150 Flange Isolation Kit		
IPA-IK03	7	3" Class 150 Flange Isolation Kit			
IPA-IK04	7	4" Class 150 Flange Isolation Kit			
IPA-IK06	7	6" Class 150 Flange Isolation Kit			
WELL CAP & OTHER ACCESS.	WCPNP	21	Aluminum Personalized Name Plate (See Pg.75 of Ind. Pitless Booklet)		
	WTCL-CLP	16	S.S. Locking Pins for Accessory Ports (See Pg.75 of Ind. Pitless Booklet)		
	WSVK05-12	17	1/2" MPT Water Sampling Valve Kit (See Pg.80 of Ind. Pitless Booklet)		
	WCDTK	20	Depth Tester Kit (See Pg.82 of Ind. Pitless Booklet)		
	WTCL-CS40-187-4	17	4" Conduit Cable Seal 0.087" - 0.187" O.D. (See Pg.84 of Ind. Pitless Booklet)		
	WTCL-CS40-312-4	17	4" Conduit Cable Seal 0.187" - 0.312" O.D. (See Pg.84 of Ind. Pitless Booklet)		
	WTCL-CS40-437-4	17	4" Conduit Cable Seal 0.312" - 0.437" O.D. (See Pg.84 of Ind. Pitless Booklet)		
	WTCL-CS40-563-4	17	4" Conduit Cable Seal 0.437" - 0.563" O.D. (See Pg.84 of Ind. Pitless Booklet)		
	WTCL-CS40-700-4	17	4" Conduit Cable Seal 0.563" - 0.700" O.D. (See Pg.84 of Ind. Pitless Booklet)		
	WTCL-CA40-2010	18	4" MPT x 2" FPT & 1" FPT Conduit Adapter (See Pg.85 of Ind. Pitless Booklet)		

ALL FITTINGS & ACCESSORIES ARE OPTIONAL & QUOTED SEPARATELY
8" WELL CASING x 4" FPT DROP PIPE INDUSTRIAL PITLESS UNIT



ALL CABLE SEALS / BUSHINGS ARE OPTIONAL & QUOTED SEPARATELY

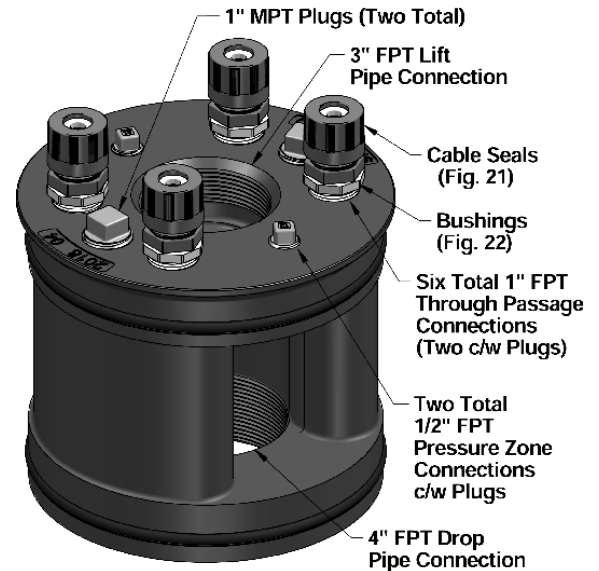
8" WELL CASING x 4" FPT DROP PIPE INDUSTRIAL PITLESS UNIT

NOTE: THIS PAGE IS ONLY APPLICABLE IF YOU HAVE SELECTED A TYPE "F" FLOWING WELL PITLESS UNIT!

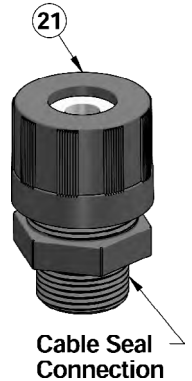
8" Flowing Well Spools have six 1" FPT through passage tapings. Two are supplied with 1" plugs which can be discarded if additional sensors wires are being installed through the 5th and 6th ports.

Typically, four spool cable seals are required for common three wire pump installations using four Wire Pump Cable (sometimes referred to as 3 CONDUCTOR (BRY) with GROUND (G). The Spool Cable Seals are sold separately (see page 78 of the Industrial Pitless Catalogue for full details and installation instructions)

CAUTION: Always verify cable O.D. with pump cable suppliers, pay close attention to the green ground wire O.D. as the pump cable may or may not have a reduced wire gage for the ground wire requiring a different cable seal for the ground than used for the conductors. The 0.062" to 0.187" cable seal is only available with a 1/2" MPT connection and therefore requires a different reducer bushing as detailed in the chart below.

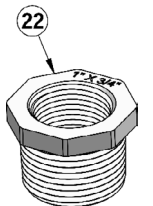


Part Number	FIG.	Cable Seal Connection	Cable Dia Range (Inch)		Grommet Colour	US Pump Cable		CAN Pump Cable	QTY.
			Min.	Max.		PVC Insulation	PVC Insulation / Nylon Jacket	TWU-40C PVC Insulation	
								GA GAUGE - (Stands) - Insulation O.D.	
IPA-CS05-0612	21	1/2" MPT	0.062	0.125	Black		14(1) 0.105" 14(19) 0.112" 12(1) 0.122"		
IPA-CS05-1218			0.125	0.187	Yellow	14(1) 0.157" 14(7) 0.168" 12(1) 0.174" 12(19) 0.186"	12(19) 0.130" 10(1) 0.153" 10(19) 0.164"		
439-130	22	1" MPT x 1/2" FPT PVC Bushing		Each 1/2" MPT Spool Cable Seal ordered will also require one 439-130 PVC Reducing Bushing for installation					



Cable Seal Connection

IPA-CS07-1825	21	3/4" MPT	0.187	0.250	Orange	10(1) 0.195" 10(19) 0.218"	8(19) 0.220"	14(1) 0.187" 14(7) 0.196" 12(1) 0.205" 12(7) 0.216" 10(1) 0.226" 10(7) 0.237"	
IPA-CS07-2537			0.250	0.375	Gray	8(19) 0.269" 6(19) 0.310" 4(19) 0.361"	6(19) 0.256" 4(19) 0.325" 3(19) 0.353"	8(1) 0.311" 6(7) 0.348"	
IPA-CS07-3743			0.375	0.437	Green	2(19) 0.423"	2(19) 0.386"	4(7) 0.396" 3(7) 0.426"	
IPA-CS07-4356			0.437	0.562	Black	1(19) 0.480" 1/0(19) 0.520"	1(19) 0.443" 1/0(19) 0.484" 2/0(19) 0.529"	2(7) 0.458" 1(7) 0.529" 1/0(19) 0.570"	
IPA-CS07-5062			0.500	0.625	Gray	2/0(19) 0.560" 3/0(19) 0.610"	3/0(19) 0.579"	2/0(19) 0.618"	
IPA-CS07-6275			0.625	0.750	Orange	4/0(19) 0.670"	4/0(19) 0.635"	4/0(19) 0.728"	
439-131	22	1" MPT x 3/4" FPT PVC Bushing		Each 3/4" MPT Spool Cable Seal ordered will also require one 439-131 PVC Reducing Bushing for installation					



DIAMETER & LENGTH CONVERSION CHARTS

Pipe is identified by “nominal” size related only loosely to actual dimensions. Inch pipe products are called NPS or “nominal pipe size” and their metric equivalents are called DN or “diameter nominal”. The metric designations conform to International Standards Organization (ISO) usage and apply to all plumbing piping.

NOMINAL PIPE SIZE CONVERSION TO METRIC SIZE					
mm	inch	mm	inch	mm	inch
3.2	1/8"	50	2"	200	8"
6.4	1/4"	65	2-1/2"	250	10"
9.5	3/8"	80	3"	300	12"
15	1/2"	90	3-1/2"	350	14"
20	3/4"	100	4"	400	16"
25	1"	115	4-1/2"	450	18"
32	1-1/4"	125	5"	500	20"
40	1-1/2"	150	6"		

► for larger pipe use 25 mm = 1"

METRIC TO IMPERIAL LENGTH								
metre	inch	feet	metre	inch	feet	metre	inch	feet
			2.0	78.7"	6.6	4.0	157.5"	13.1
0.1	3.9"	0.3	2.1	82.7"	6.9	4.1	161.4"	13.5
0.2	7.9"	0.7	2.2	86.6"	7.2	4.2	165.4"	13.8
0.3	11.8"	1.0	2.3	90.6"	7.5	4.3	169.3"	14.1
0.4	15.7"	1.3	2.4	94.5"	7.9	4.4	173.2"	14.4
0.5	19.7"	1.6	2.5	98.4"	8.2	4.5	177.3"	14.8
0.6	23.6"	2.0	2.6	102.4"	8.5	4.6	181.1"	15.1
0.7	27.6"	2.3	2.7	106.3"	8.9	4.7	185.0"	15.4
0.8	31.5"	2.6	2.8	110.2"	9.2	4.8	189.0"	15.7
0.9	35.4"	3.0	2.9	114.2"	9.5	4.9	192.9"	16.1
1.0	39.4"	3.3	3.0	118.1"	9.8	5.0	196.9"	16.4
1.1	43.3"	3.6	3.1	122.0"	10.2	5.1	200.8"	16.7
1.2	47.2"	3.9	3.2	126.0"	10.5	5.2	204.7"	17.1
1.3	51.2"	4.3	3.3	129.9"	10.8	5.3	208.7"	17.4
1.4	55.1"	4.6	3.4	133.9"	11.2	5.4	212.6"	17.7
1.5	59.1"	4.9	3.5	137.8"	11.5	5.5	216.5"	18.0
1.6	63.0"	5.2	3.6	141.7"	11.8	5.6	220.5"	18.4
1.7	66.9"	5.6	3.7	145.7"	12.1	5.7	224.4"	18.7
1.8	70.9"	5.9	3.8	149.6"	12.5	5.8	228.3"	19.0
1.9	74.8"	6.2	3.9	153.5"	12.8	5.9	232.3"	19.4

► Meters to Inches - Multiply by X 39.3701 ► Meters to Feet - Multiply by X 3.28084



25 Whaley Avenue, PO Box 310, Milverton, ON CANADA N0K 1M0
Tel: 800-561-3164

boshart.com ♦ blog.boshart.com