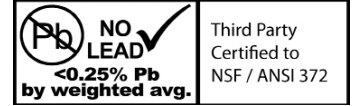


2" DIAL PRESSURE GAUGE LOWER MOUNT

APPLICATION:

General purpose gauge, for potable water pumps & systems, these gauges are suitable for compressors, hydraulic presses, machinery, pneumatic equipment and motors, for most commercial air, water and steam services. To be used with fluid medium which does not clog connection or corrode copper alloy.

Not for use with oxygen, natural gas or propane.



CERTIFICATION:

- NSF/ANSI Standard 372 Certified (No Lead Series Only)

| GAUGE SPECIFICATIONS | |
|----------------------|---------------------------------------|
| Standard | ASME B40.1 |
| Dial | 2" (51mm) White Aluminum Dial |
| Case | Steel or ABS |
| Lens | Acrylic |
| Ring (Bezel) | N/A |
| Connection | Brass / No Lead Brass (NL) |
| Bourdon Tube | Copper alloy |
| Fill Liquid | N/A |
| Pointer | Aluminum (Anodized Black) |
| Welding | Tin Solder |
| Working Pressure | Max. 75% of Full Scale Valve (F.S.V.) |
| Ambient Op. Temp. | -40°F to 140°F (-40°C to 60°C) |
| Media Op. Temp. | Max. 140°F (60°C) |
| Accuracy | 3% - 2% - 3% Grade B |
| Enclosure Rating | General Purpose |



PG-xx

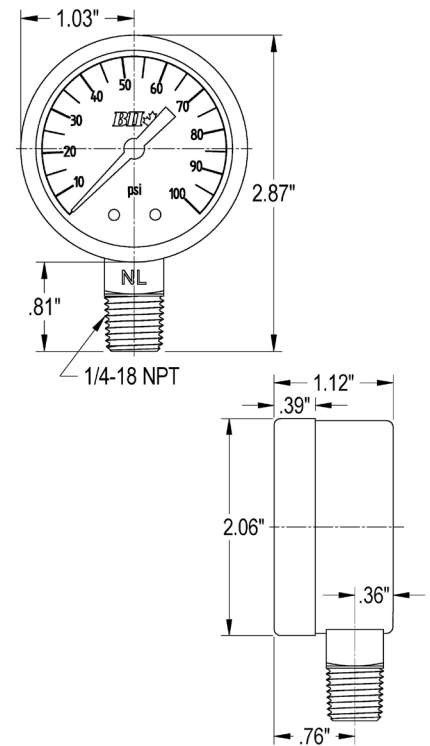


PGV-xx



PGC-xx

| DIMENSIONS | | | | | |
|--|------------------|------------|------------|------------|--------------|
| Part No. | No Lead Part No. | Connection | Range | Increments | Weight grams |
| | | | PSI | | |
| Steel Case | | | | | |
| N/A | PG-15NL | 1/4" MPT | 0-15 | 0.2 | 89 |
| PG-30 | PG-30NL | 1/4" MPT | 0-30 | 0.5 | 89 |
| PG-60 | PG-60NL | 1/4" MPT | 0-60 | 1 | 89 |
| N/A | PG-0-100NL | 1/8" MPT | 0-100 | 1 | 89 |
| PG-100 | PG-100NL | 1/4" MPT | 0-100 | 1 | 89 |
| PG-160 | PG-160NL | 1/4" MPT | 0-160 | 2 | 89 |
| PG-200 | PG-200NL | 1/4" MPT | 0-200 | 2 | 89 |
| PG-300 | PG-300NL | 1/4" MPT | 0-300 | 5 | 89 |
| ABS Case | | | | | |
| PGP-30 | PGP-30NL | 1/4" MPT | 0-30 | 0.5 | 80 |
| PGP-0-60 | N/A | 1/8" MPT | 0-60 | 1 | 80 |
| PGP-60 | PGP-60NL | 1/4" MPT | 0-60 | 1 | 80 |
| N/A | PGP-100NL | 1/4" MPT | 0-100 | 1 | 80 |
| N/A | PGP-200NL | 1/4" MPT | 0-200 | 2 | 80 |
| VACUUM GAUGE | | | | | |
| PGV-30 | N/A | 1/4" MPT | 30-0Hg | 0.5 | 80 |
| COMBINATION VACUUM / PRESSURE GAUGE | | | | | |
| PGC-30-30 | N/A | 1/4" MPT | 30Hg-0-30 | 0.5 | 100 |
| PGC-30-150 | N/A | 1/4" MPT | 30Hg-0-150 | 1 | 100 |



BOSHART
INDUSTRIES

25 Whaley Avenue, PO Box 310, Milverton, ON CANADA N0K 1M0
Tel: 800-561-3164

boshart.com ♦ blog.boshart.com