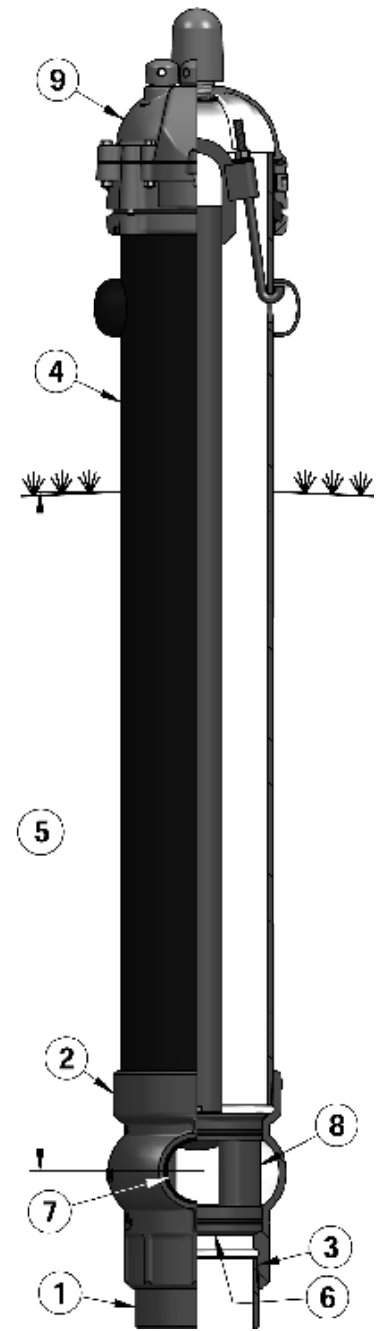


# REQUEST FOR QUOTATION 12" WELL CASING x 6" FPT DROP PIPE INDUSTRIAL PITLESS UNIT

|               |                 |                  |
|---------------|-----------------|------------------|
| COMPANY:      |                 | DATE:            |
| CONTACT NAME: |                 | JOB REF:         |
| ADDRESS:      |                 |                  |
| CITY:         | PROVINCE/STATE: | POSTAL CODE/ZIP: |
| PHONE:        | FAX:            |                  |
| E-MAIL:       | # OF UNITS:     |                  |

| PART | DESCRIPTION  | FIG. |
|------|--|------|
| P    | Pitless Unit for Submersible Pump  |      |
| 12   | Well Casing Size   | 1    |
|      | Material:  | 1    |
|      | Material = D (Ductile Iron) or S (Stainless Steel)   | 2    |
| W    | Well Casing Connection = W (Weld Nipple, Hand Tightened Only) as standard option, can be removed to make a FPT Connection.   | 3    |
|      | <b>Upper Barrel Type:</b>  | 4    |
|      | <ul style="list-style-type: none"> <li>▪ B (Black Painted Steel) Standard/Schedule 30 0.375" wall</li> <li>▪ I (Black Painted Steel) with Isolation Flanges</li> </ul> Suggested option for connecting a stainless steel pitless discharge housing to steel upper barrel / well casing to eliminate contact of dissimilar metals and galvanic corrosion. | 4    |
|      | <ul style="list-style-type: none"> <li>▪ S (304 Stainless Steel) Schedule 10 0.25" wall</li> <li>▪ H (304 Stainless Steel) Standard/Schedule 30 0.375" wall</li> <li>▪ P (PVC) Schedule 40 0.375" wall</li> </ul>  | 4    |
|      | <b>Supplied with Hold-Down Hook / Torque Arrestor Assemblies</b>   |      |
|      | Bury Depth = in feet 3, 4, 5, 6, 7, 8, 9, 10   | 5    |
| F    | Drop Pipe Connection - Female NPT (FPT) as standard option   | 6    |
| 6    | Drop Pipe Size - 6" standard option  | 6    |
| F    | Discharge Connection - Female NPT (FPT) as standard option   | 7    |
| 6    | Discharge Size - 6" standard option  | 7    |
|      | <b>Well / Spool Type:</b>  | 8    |
|      | <ul style="list-style-type: none"> <li>▪ N (Normal Well) - Open Through Passage Spool</li> <li>▪ F (Flowing Well) - Closed Spool with Tapings for Cable Seals</li> </ul>   | 8    |
|      | <b>Well Cap:</b>   | 9    |
|      | <ul style="list-style-type: none"> <li>▪ C (Cast Iron) as standard option (PN: WTCL-C14)</li> <li>▪ N (No Cap)</li> </ul>  | 9    |



All Flowing Well Spools are 304 Stainless Steel

See page 3 for further details.

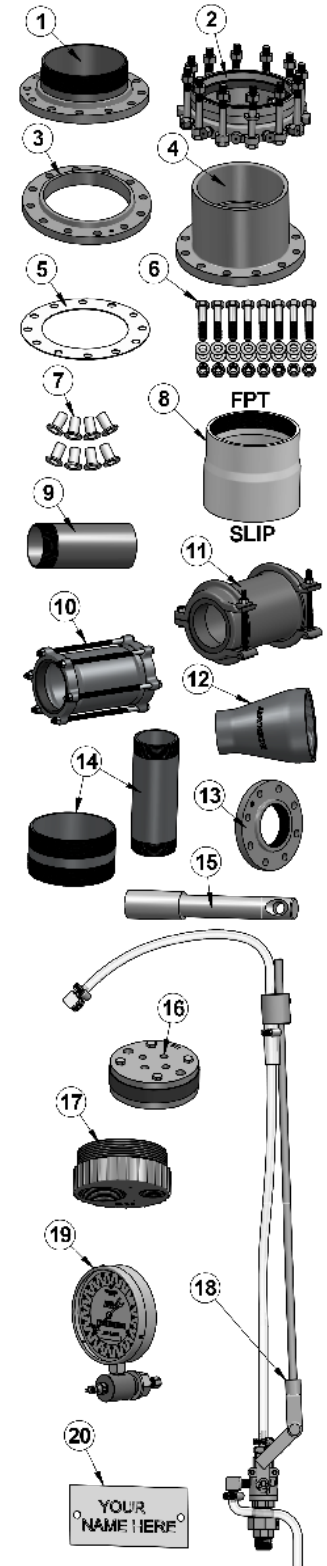


25 Whaley Avenue, PO Box 310, Milverton, ON CANADA N0K 1M0  
Tel: 800-561-3164

[boshart.com](http://boshart.com) ♦ [blog.boshart.com](http://blog.boshart.com)

|  | PART NAME  | FIG.   | DESCRIPTION  | QTY.                                      |  |
|--|--|--|--|---|--|
| <b>WELL CASING</b><br>transition from 12" FPT    | FL-DIQC-120  | 2  | 12" Ductile Iron Quick Connect Flange (EBAA #2112 MEGA Flange)                 |   |  |
|  | FL-FSM-120   | 1  | 12" MPT x 16" O.D. F.S. Flange / Sch. 40 Weld Nipple Assembly (5-1/4" L.)      |   |  |
|  | FL-FSSW-120  | 3  | 12" SLIP x 16" O.D. F.S. Class 150 Flange                                      |   |  |
|  | FL-SS304M-120  | 1  | 12" MPT x 16" O.D. 304 S.S. Flange / Sch. 40 Weld Nipple Assembly (5-1/4" L.)  |   |  |
|  | FL-SS304SW-120   | 3  | 12" SLIP x 16" O.D. 304 S.S. Class 150 Flange                                  |   |  |
|  | 854-120  | 4  | 12" Slip x 16" O.D. PVC Class 150 Flange                                       |   |  |
|  | IPA-DG12   | 5  | 12" x 16" O.D. Durlon Class 150 Gasket   |   |  |
|  | IPA-SSBK12   | 6  | 12" S.S. Class 150 Bolt Kit (12) 3/4"-10NC x 4" L. Bolts c/w Nuts & Washers    |   |  |
|  | IPA-IK12   | 7  | 12" Class 150 Flange Isolation Kit   |   |  |
|  | GN-12060   | 14   | 12" x 6" Sch. 40 Galvanized Nipple   |   |  |
|  | SS304N-12060   | 14   | 12" x 6" Sch. 40 304 S.S. Nipple   |   |  |
| 435-120F   | 8  | 12" FPT x 12" Slip PVC Female Adapter  |  |   |  |
| <b>DROP PIPE</b><br>transition from 6" FPT to... | GN-60120   | 14   | 6" x 12" Sch. 40 Galvanized Nipple   |   |  |
|  | GHN-60120  | 14   | 6" x 12" Sch. 80 Galvanized Nipple   |   |  |
|  | IPGHRC-6030  | 12   | 6" FPT x 3" FPT x 12" L. Heavy Duty Zinc Plated Reducing Coupling              |   |  |
|  | IPGHRC-6040  | 12   | 6" FPT x 4" FPT x 12" L. Heavy Duty Zinc Plated Reducing Coupling              |   |  |
|  | IPGHRC-8060  | 12   | 8" FPT x 6" FPT x 13" L. Heavy Duty Zinc Plated Reducing Coupling              |   |  |
|  | <i>All Flowing Well Spools are 304 Stainless Steel, Stainless or PVC Drop Pipe Recommended to Avoid Dissimilar Metals.</i> |  |  |   |  |
|  | SSH304N-60120  | 14   | 6" x 12" Sch. 80 304 Stainless Steel Nipple                                    |   |  |
|  | IPSSH304RC-6030  | 12   | 6" FPT x 3" FPT x 12" L. Heavy Duty 304 S.S. Reducing Coupling                 |   |  |
|  | IPSSH304RC-6040  | 12   | 6" FPT x 4" FPT x 12" L. Heavy Duty 304 S.S. Reducing Coupling                 |   |  |
|  | IPSSH304RC-8060  | 12   | 8" FPT x 6" FPT x 13" L. Heavy Duty 304 S.S. Reducing Coupling                 |   |  |
|  | <b>DISCHARGE</b><br>transition from 6" FPT to...   | GHN-60120T   | 9  | 6" x 12" Sch. 80 Galvanized T.O.E. Nipple |  |
| MJ-DIQC-060                                      |  | 10   | 6" (6-5/8" O.D.) x 12" Ductile Iron M.J. Coupling (FORD #FC3-663-12-P)         |   |  |
| IPGHRC-6030                                      |  | 12   | 6" FPT x 3" FPT x 12" L. Heavy Duty Zinc Plated Reducing Coupling              |   |  |
| IPGHRC-6040                                      |  | 12   | 6" FPT x 4" FPT x 12" L. Heavy Duty Zinc Plated Reducing Coupling              |   |  |
| IPGHRC-8060                                      |  | 12   | 8" FPT x 6" FPT x 13" L. Heavy Duty Zinc Plated Reducing Coupling              |   |  |
| GHN-6060   |  | 14   | 6" x 6" Sch. 80 Galvanized Nipple  |   |  |
| FL-FST-030                                       |  | 13   | 3" FPT X 7-1/2" O.D. F.S. Class 150 Threaded Flange                            |   |  |
| FL-FST-040                                       |  | 13   | 4" FPT X 9" O.D. F.S. Class 150 Threaded Flange                                |   |  |
| FL-FST-060                                       |  | 13   | 6" FPT X 11" O.D. F.S. Class 150 Threaded Flange                               |   |  |
| FL-FST-080                                       |  | 13   | 8" FPT X 13-1/2" O.D. F.S. Class 150 Threaded Flange                           |   |  |
| SS304N-60120T                                    |  | 9  | 6" x 12" Sch. 80 304 S.S. T.O.E. Nipple  |   |  |
| MJ-SS304QC-060                                   |  | 11   | 6" (6-5/8" O.D.) x 11.70" 304 S.S. M.J. Coupling (ROBAR MODEL#1696-2B)         |   |  |
| IPSSH304RC-6030                                  |  | 12   | 6" FPT x 3" FPT x 12" L. Heavy Duty 304 S.S. Reducing Coupling                 |   |  |
| IPSSH304RC-6040                                  |  | 12   | 6" FPT x 4" FPT x 12" L. Heavy Duty 304 S.S. Reducing Coupling                 |   |  |
| IPSSH304RC-8060                                  |  | 12   | 8" FPT x 6" FPT x 13" L. Heavy Duty 304 S.S. Reducing Coupling                 |   |  |
| SSH304N-6060                                     |  | 14   | 6" x 6" Sch. 80 304 S.S. Nipple  |   |  |
| FL-SS304T-030                                    |  | 13   | 3" FPT X 7-1/2" O.D. 304 S.S. Class 150 Threaded Flange                        |   |  |
| FL-SS304T-040                                    |  | 13   | 4" FPT X 9" O.D. 304 S.S. Class 150 Threaded Flange                            |   |  |
| FL-SS304T-060                                    |  | 13   | 6" FPT X 11" O.D. 304 S.S. Class 150 Threaded Flange                           |   |  |
| FL-SS304T-080                                    |  | 13   | 8" FPT X 13-1/2" O.D. 304 S.S. Class 150 Threaded Flange                       |   |  |
| 852-030  |  | 13   | 3" FPT X 7-1/2" O.D. PVC Class 150 Threaded Flange                             |   |  |
| 852-040  |  | 13   | 4" FPT X 9" O.D. PVC Class 150 Threaded Flange                                 |   |  |
| 852-060  |  | 13   | 6" FPT X 11" O.D. PVC Class 150 Threaded Flange                                |   |  |
| 852-080  |  | 13   | 8" FPT X 13-1/2" O.D. PVC Class 150 Threaded Flange                            |   |  |
| IPA-DG03   |  | 5  | 3" x 7-1/2" O.D. Durlon Class 150 Gasket                                       |   |  |
| IPA-DG04   |  | 5  | 4" x 9" O.D. Durlon Class 150 Gasket   |   |  |
| IPA-DG06   |  | 5  | 6" x 11" O.D. Durlon Class 150 Gasket  |   |  |
| IPA-DG08   |  | 5  | 8" x 13-1/2" O.D. Durlon Class 150 Gasket                                      |   |  |
| IPA-SSBK03                                       |  | 6  | 3" S.S. Class 150 Bolt Kit (4) 5/8"-11NC x 3" L. Bolts c/w Nuts & Washers      |   |  |
| IPA-SSBK04                                       |  | 6  | 4" S.S. Class 150 Bolt Kit (8) 5/8"-11NC x 3" L. Bolts c/w Nuts & Washers      |   |  |
| IPA-SSBK06                                       |  | 6  | 6" S.S. Class 150 Bolt Kit (8) 3/4"-10NC x 3-1/2" L. Bolts c/w Nuts & Washers  |   |  |
| IPA-SSBK08                                       |  | 6  | 8" S.S. Class 150 Bolt Kit (8) 3/4"-10NC x 3-1/2" L. Bolts c/w Nuts & Washers  |   |  |
| IPA-IK03   | 7  | 3" Class 150 Flange Isolation Kit  |  |   |  |
| IPA-IK04   | 7  | 4" Class 150 Flange Isolation Kit  |  |   |  |
| IPA-IK06   | 7  | 6" Class 150 Flange Isolation Kit  |  |   |  |
| IPA-IK08   | 7  | 8" Class 150 Flange Isolation Kit  |  |   |  |
| <b>WELL CAP &amp; OTHER ACCESS.</b>              | WCPNP  | 20   | Aluminum Personalized Name Plate (See Pg.75 of Ind. Pitless Booklet)           |   |  |
|  | WTCL-CLP   | 15   | S.S Locking Pins for Accessory Ports (See Pg.75 of Ind. Pitless Booklet)       |   |  |
|  | WSVK05-12  | 18   | 1/2" MPT Water Sampling Valve Kit (See Pg.80 of Ind. Pitless Booklet)          |   |  |
|  | WCDTK  | 19   | Depth Tester Kit (See Pg.82 of Ind. Pitless Booklet)                           |   |  |
|  | WTCL-CS40-187-4  | 16   | 4" Conduit Cable Seal 0.087" - 0.187" O.D. (See Pg.84 of Ind. Pitless Booklet) |   |  |
|  | WTCL-CS40-312-4  | 16   | 4" Conduit Cable Seal 0.187" - 0.312" O.D. (See Pg.84 of Ind. Pitless Booklet) |   |  |
|  | WTCL-CS40-437-4  | 16   | 4" Conduit Cable Seal 0.312" - 0.437" O.D. (See Pg.84 of Ind. Pitless Booklet) |   |  |
|  | WTCL-CS40-563-4  | 16   | 4" Conduit Cable Seal 0.437" - 0.563" O.D. (See Pg.84 of Ind. Pitless Booklet) |   |  |
|  | WTCL-CS40-700-4  | 16   | 4" Conduit Cable Seal 0.563" - 0.700" O.D. (See Pg.84 of Ind. Pitless Booklet) |   |  |
| WTCL-CA40-2010                                   | 17   | 4" MPT x 2" FPT & 1" FPT Conduit Adapter (See Pg.85 of Ind. Pitless Booklet) |  |   |  |

**ALL FITTINGS & ACCESSORIES ARE OPTIONAL & QUOTED SEPARATELY**  
**12" WELL CASING x 6" FPT DROP PIPE INDUSTRIAL PITLESS UNIT**



# ALL CABLE SEALS / BUSHINGS ARE OPTIONAL & QUOTED SEPARATELY

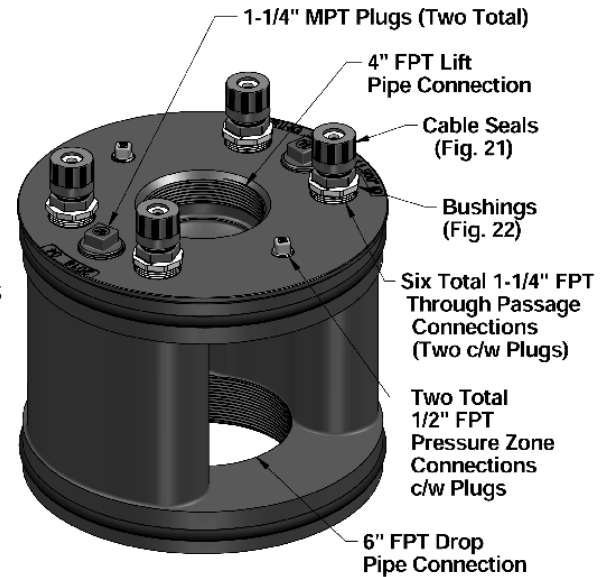
## 12" WELL CASING x 6" FPT DROP PIPE INDUSTRIAL PITLESS UNIT

NOTE: THIS PAGE IS ONLY APPLICABLE IF YOU HAVE SELECTED A TYPE "F" FLOWING WELL PITLESS UNIT!

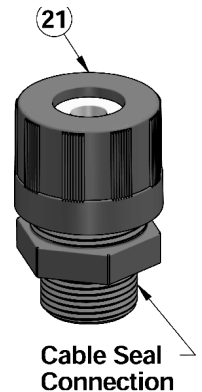
12" Flowing Well Spools have six 1-1/4" FPT through passage tapings. Two are supplied with 1-1/4" plugs which can be discarded if additional sensors wires are being installed through the 5th and 6th ports.

Typically, four spool cable seals are required for common three wire pump installations using four Wire Pump Cable (sometimes referred to as 3 CONDUCTOR (BRY) with GROUND (G). The Spool Cable Seals are sold separately (see page 78 of the Industrial Pitless Catalogue for full details and installation instructions)

**CAUTION:** Always verify cable O.D. with pump cable suppliers, pay close attention to the green ground wire O.D. as the pump cable may or may not have a reduced wire gage for the ground wire requiring a different cable seal for the ground than used for the conductors. The 0.062" to 0.187" cable seal is only available with a 1/2" MPT connection and therefore requires a different reducer bushing as detailed in the chart below.

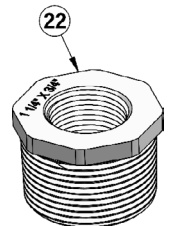


| Part Number   | FIG. | Cable Seal Connection             | Cable Dia Range (Inch) |  | Grommet Colour | US Pump Cable   |  | CAN Pump Cable                        | QTY. |
|---------------|------|-----------------------------------|------------------------|--|----------------|---|--|---------------------------------------|------|
|               |      |                                   | Min.                   | Max.   |                | PVC Insulation  | PVC Insulation / Nylon Jacket                  | TWU-40C PVC Insulation                |      |
|               |      |                                   |                        |  |                |   |  | GA GAUGE - (Stands) - Insulation O.D. |      |
| IPA-CS05-0612 | 21   | 1/2" MPT                          | 0.062                  | 0.125  | Black          |   | 14(1) 0.105"<br>14(19) 0.112"<br>12(1) 0.122"  |                                       |      |
| IPA-CS05-1218 |      |                                   | 0.125                  | 0.187  | Yellow         | 14(1) 0.157"<br>14(7) 0.168"<br>12(1) 0.174"<br>12(19) 0.186" | 12(19) 0.130"<br>10(1) 0.153"<br>10(19) 0.164" |                                       |      |
| 439-166       | 22   | 1-1/4" MPT x 1/2" FPT PVC Bushing |                        | Each 1/2" MPT Spool Cable Seal ordered will also require one 439-166 PVC Reducing Bushing for installation |                |   |  |                                       |      |



Cable Seal Connection

|               |    |                                   |       |  |        |  |  |  |  |
|---------------|----|-----------------------------------|-------|--|--------|--|--|--|--|
| IPA-CS07-1825 | 21 | 3/4" MPT                          | 0.187 | 0.250  | Orange | 10(1) 0.195"<br>10(19) 0.218"                | 8(19) 0.220"                                     | 14(1) 0.187"<br>14(7) 0.196"<br>12(1) 0.205"<br>12(7) 0.216"<br>10(1) 0.226"<br>10(7) 0.237" |  |
| IPA-CS07-2537 |    |                                   | 0.250 | 0.375  | Gray   | 8(19) 0.269"<br>6(19) 0.310"<br>4(19) 0.361" | 6(19) 0.256"<br>4(19) 0.325"<br>3(19) 0.353"     | 8(1) 0.311"<br>6(7) 0.348"   |  |
| IPA-CS07-3743 |    |                                   | 0.375 | 0.437  | Green  | 2(19) 0.423"                                 | 2(19) 0.386"                                     | 4(7) 0.396"<br>3(7) 0.426"   |  |
| IPA-CS07-4356 |    |                                   | 0.437 | 0.562  | Black  | 1(19) 0.480"<br>1/0(19) 0.520"               | 1(19) 0.443"<br>1/0(19) 0.484"<br>2/0(19) 0.529" | 2(7) 0.458"<br>1(7) 0.529"<br>1/0(19) 0.570"   |  |
| IPA-CS07-5062 |    |                                   | 0.500 | 0.625  | Gray   | 2/0(19) 0.560"<br>3/0(19) 0.610"             | 3/0(19) 0.579"                                   | 2/0(19) 0.618"   |  |
| IPA-CS07-6275 |    |                                   | 0.625 | 0.750  | Orange | 4/0(19) 0.670"                               | 4/0(19) 0.635"                                   | 4/0(19) 0.728"   |  |
| 439-167       | 22 | 1-1/4" MPT x 3/4" FPT PVC Bushing |       | Each 3/4" MPT Spool Cable Seal ordered will also require one 439-167 PVC Reducing Bushing for installation |        |  |  |  |  |



# DIAMETER & LENGTH CONVERSION CHARTS

Pipe is identified by “nominal” size related only loosely to actual dimensions. Inch pipe products are called NPS or “nominal pipe size” and their metric equivalents are called DN or “diameter nominal”. The metric designations conform to International Standards Organization (ISO) usage and apply to all plumbing piping.

| NOMINAL PIPE SIZE CONVERSION TO METRIC SIZE |        |     |        |     |      |
|---|--------|-----|--------|-----|------|
| mm  | inch   | mm  | inch   | mm  | inch |
| 3.2   | 1/8"   | 50  | 2"     | 200 | 8"   |
| 6.4   | 1/4"   | 65  | 2-1/2" | 250 | 10"  |
| 9.5   | 3/8"   | 80  | 3"     | 300 | 12"  |
| 15  | 1/2"   | 90  | 3-1/2" | 350 | 14"  |
| 20  | 3/4"   | 100 | 4"     | 400 | 16"  |
| 25  | 1"     | 115 | 4-1/2" | 450 | 18"  |
| 32  | 1-1/4" | 125 | 5"     | 500 | 20"  |
| 40  | 1-1/2" | 150 | 6"     |     |      |

►for larger pipe use 25 mm = 1"

| METRIC TO IMPERIAL LENGTH |       |      |       |        |      |       |        |      |
|---------------------------|-------|------|-------|--------|------|-------|--------|------|
| metre                     | inch  | feet | metre | inch   | feet | metre | inch   | feet |
|                           |       |      | 2.0   | 78.7"  | 6.6  | 4.0   | 157.5" | 13.1 |
| 0.1                       | 3.9"  | 0.3  | 2.1   | 82.7"  | 6.9  | 4.1   | 161.4" | 13.5 |
| 0.2                       | 7.9"  | 0.7  | 2.2   | 86.6"  | 7.2  | 4.2   | 165.4" | 13.8 |
| 0.3                       | 11.8" | 1.0  | 2.3   | 90.6"  | 7.5  | 4.3   | 169.3" | 14.1 |
| 0.4                       | 15.7" | 1.3  | 2.4   | 94.5"  | 7.9  | 4.4   | 173.2" | 14.4 |
| 0.5                       | 19.7" | 1.6  | 2.5   | 98.4"  | 8.2  | 4.5   | 177.3" | 14.8 |
| 0.6                       | 23.6" | 2.0  | 2.6   | 102.4" | 8.5  | 4.6   | 181.1" | 15.1 |
| 0.7                       | 27.6" | 2.3  | 2.7   | 106.3" | 8.9  | 4.7   | 185.0" | 15.4 |
| 0.8                       | 31.5" | 2.6  | 2.8   | 110.2" | 9.2  | 4.8   | 189.0" | 15.7 |
| 0.9                       | 35.4" | 3.0  | 2.9   | 114.2" | 9.5  | 4.9   | 192.9" | 16.1 |
| 1.0                       | 39.4" | 3.3  | 3.0   | 118.1" | 9.8  | 5.0   | 196.9" | 16.4 |
| 1.1                       | 43.3" | 3.6  | 3.1   | 122.0" | 10.2 | 5.1   | 200.8" | 16.7 |
| 1.2                       | 47.2" | 3.9  | 3.2   | 126.0" | 10.5 | 5.2   | 204.7" | 17.1 |
| 1.3                       | 51.2" | 4.3  | 3.3   | 129.9" | 10.8 | 5.3   | 208.7" | 17.4 |
| 1.4                       | 55.1" | 4.6  | 3.4   | 133.9" | 11.2 | 5.4   | 212.6" | 17.7 |
| 1.5                       | 59.1" | 4.9  | 3.5   | 137.8" | 11.5 | 5.5   | 216.5" | 18.0 |
| 1.6                       | 63.0" | 5.2  | 3.6   | 141.7" | 11.8 | 5.6   | 220.5" | 18.4 |
| 1.7                       | 66.9" | 5.6  | 3.7   | 145.7" | 12.1 | 5.7   | 224.4" | 18.7 |
| 1.8                       | 70.9" | 5.9  | 3.8   | 149.6" | 12.5 | 5.8   | 228.3" | 19.0 |
| 1.9                       | 74.8" | 6.2  | 3.9   | 153.5" | 12.8 | 5.9   | 232.3" | 19.4 |

►Meters to Inches - Multiply by X 39.3701    ►Meters to Feet - Multiply by X 3.28084



25 Whaley Avenue, PO Box 310, Milverton, ON CANADA N0K 1M0  
Tel: 800-561-3164

[boshart.com](http://boshart.com) ♦ [blog.boshart.com](http://blog.boshart.com)