

SSPEX-PC SERIES - STAINLESS STEEL CRIMP PEX FITTING PINCH CLAMP

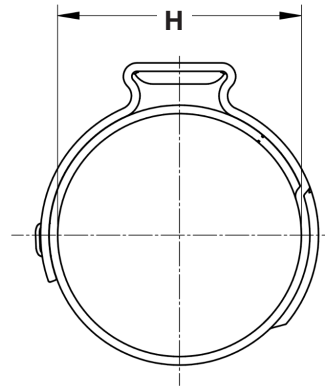
SPECIFICATIONS:

- Conforms to testing standard ASTM-F877 (Standard Specification for Crosslinked Polyethylene (PEX) Hot- and Cold-Water Distribution Systems)
- Made from 304 Stainless Steel
- Uniform clamp compression and loading designed primarily for PEX pipe
- Ratchet type pinch clamp tool minimizes mis-clamps. A single tool is used for all sizes (1/2"-1").
- Connection is immediately permanent and can be pressure tested right away whether installation temperature is hot or cold
- Interlocking design provides same high integrity connection as a copper crimp ring



APPLICATIONS

- Suitable for fast and reliable connections of PEX pipes to crimp PEX fittings
- Can be used with stainless steel, brass, and poly crimp PEX fittings
- Ideal for making connections in tight, hard to access locations
- Do not install in contact with concrete or in conditions with high-chloride water
- Common applications include: indoor water supply lines, hot water pipes, water heating systems, central air-conditioning piping systems, liquid food transportation pipelines, and petroleum and chemical plant transportation pipelines



Part No.	Description	Band Width		H (Unclamped)		H (Clamped)	
		in	mm	in	mm	in	mm
SSPEX-PC05	1/2" PEX Clamp Ring	0.28	7.0	0.69	17.5	0.61	15.5
SSPEX-PC07	3/4" PEX Clamp Ring	0.35	9.0	0.92	23.3	0.86	21.8
SSPEX-PC10	1" PEX Clamp Ring	0.39	10.0	1.17	29.6	1.12	28.4



25 Whaley Avenue, PO Box 310, Milverton, ON CANADA N0K 1M0
Tel: 800-561-3164

boshart.com ♦ blog.boshart.com

INSTALLATION INSTRUCTIONS:

1. Using a pipe cutter, cut the pipe to the desired length, making sure the cut is smooth and square. A rough, jagged or angled cut may result in a failed connection.

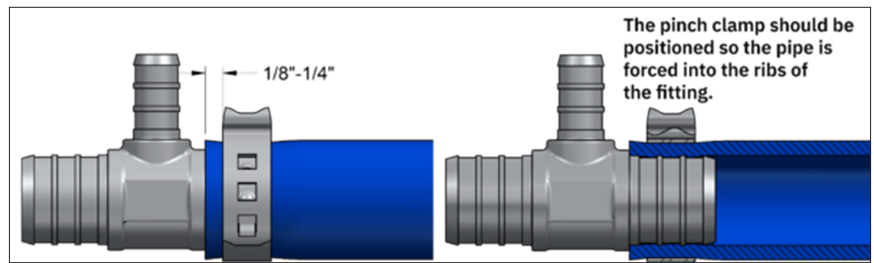


2. Select the correct sized pinch clamp and slide the clamp approximately 2" past the end of the PEX pipe.



3. Insert the fitting into the PEX pipe until it touches the shoulder of the fitting (3A). Then slide the pinch clamp back towards the fitting. Position the clamp 1/8"-1/4" from the end of the pipe (3B).

NOTE: This distance is critical to ensure that the crimp ring is positioned directly over the ribs or barbs of the fitting.

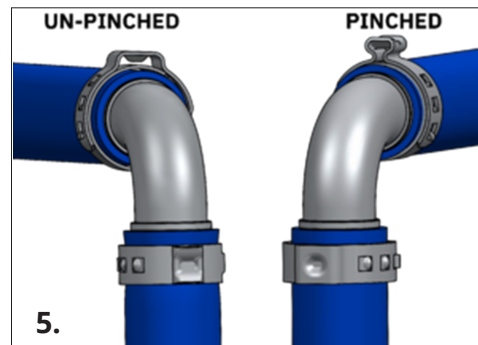


4. Position the open jaws of the ratchet type pinch clamp tool over the raised ear of the clamp and squeeze. Make sure the handles fully close to properly compress the connection.

NOTE: This tool is designed so that it will not open unless the tool has been fully closed.



5. Visually inspect the clamp and ensure the connection is secure. The ear must be formed as in the illustration to the right, which shows a clamp before it is pinched (left) and a properly formed, pinched clamp (right).



For more information on installation, adjustment, repair & operation, visit Boshart Knowledge Base at

SUPPORT.BOSHART.COM



BOSHART

INDUSTRIES

© 2020 Boshart Industries Inc. All Rights Reserved.

25 Whaley Avenue, PO Box 310, Milverton, ON CANADA N0K 1M0
Tel: 800-561-3164

boshart.com ♦ blog.boshart.com

BII-SSPEX-PC-0124(2898)