

CLASS 300 BLACK & GALVANIZED MALLEABLE IRON PIPE FITTINGS

MATERIAL SPECIFICATIONS:

- ANSI/ASTM A197 Cupola Malleable Iron Castings (Standard Specification for Cupola Malleable Iron)
- ASTM A153 Zinc Coating (Standard Specification for Zinc Coating (Hot-Dip) on Iron and Steel Hardware)
- Rated at 300 PSI for saturated steam

DIMENSIONAL SPECIFICATIONS:

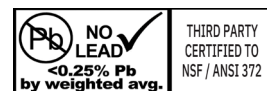
- ANSI/ASME B16.3 Threaded Fittings (Standard Specification for Malleable Iron Threaded Fittings: Classes 150 and 300)
- ANSI/ASME B16.14 Threaded Plugs, Bushings & Locknuts (Standard Specification for Ferrous Pipe Plugs, Bushings, and Locknuts with Pipe Threads)
- ANSI/ASME B16.39 Threaded Unions (Standard Specification for Malleable Iron Threaded Pipe Unions: Classes 150, 250, and 300)

THREAD SPECIFICATIONS:

- ANSI/ASME B1.20.1 Pipe Threads (Standard Specification for Pipe Threads, General Purpose, Inch)

CERTIFICATION:

- UL Manufactured
 - FM Standard 1920 (Approval Standard for Pipe Couplings and Fittings for Aboveground Fire Protection Systems)
 - NSF/ANSI 61 Certified (Drinking Water System Components - Health Effects)*
 - NSF/ANSI 372 Certified (Drinking Water System Components - Lead Content)*
 - CRNs are available
- * FOR GALVANIZED SERIES ONLY



Material List	
Name	Percent of Composition
Cupola Malleable Iron	
Iron (Fe)	≥94.0
Carbon (C)	2.9-3.1
Silicone (Si)	1.35-1.6
Manganese (Mn)	0.4-0.6
Phosphorus (P)	<0.1
Sulfur (S)	<0.2

ANSI/ASME B16.3 Pressure-Temperature Ratings for Malleable Iron Threaded Fittings - Class 300							
Temperature		Working Pressure					
		1/4"-1"		1-1/4"-2"		2-1/2"-3"	
°C	°F	PSI	kPa	PSI	kPa	PSI	kPa
-28.9 to 65.5	-20 to 150	2000	13790	1500	10342	1000	6895
93	200	1785	12307	1350	9308	910	6274
121	250	1575	10859	1200	8274	825	5688
148	300	1360	9377	1050	7239	735	5068
176	350	1150	7929	900	6205	650	4482
204	400	935	6447	750	5171	560	3861
232	450	725	4999	600	4137	475	3275
260	500	510	3516	450	3103	385	2654
287	550	300	2068	300	2068	300	2068



1. Ratings are independent of the contained fluid and are maximum non-shock pressures at the tabulated temperatures. Intermediate ratings may be obtained by interpolation.
2. The temperature shown for the corresponding pressure rating shall be the material temperature of the pressure retaining structure. It may be assumed that the material temperature is the same as the fluid temperature.
3. Piping loads, stresses, and moments are not taken into account.
4. Class 300 street elbows are not recommended for gauge pressures above 600 PSI.



© 2020 Boshart Industries Inc. All Rights Reserved.

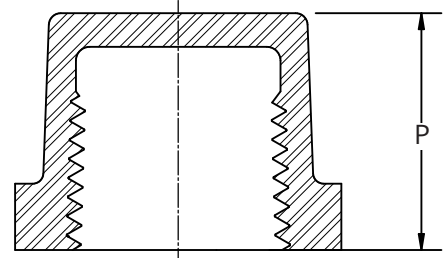
25 Whaley Avenue, PO Box 310, Milverton, ON CANADA N0K 1M0
Tel: 800-561-3164

boshart.com ♦ blog.boshart.com

CLASS 300 BLACK & GALVANIZED MALLEABLE IRON FITTINGS

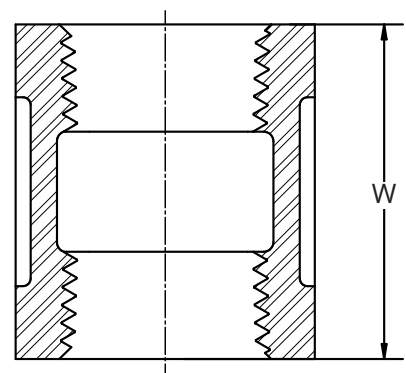
Cap - FPT

Black	Galvanized	Size	P	
			in	mm
BL3CA-02	G3CA-02	1/4"	0.78	19.8
BL3CA-03	G3CA-03	3/8"	0.83	21.1
BL3CA-05	G3CA-05	1/2"	0.98	24.9
BL3CA-07	G3CA-07	3/4"	1.08	27.4
BL3CA-10	G3CA-10	1"	1.26	32.0
BL3CA-12	G3CA-12	1-1/4"	1.38	35.0
BL3CA-15	G3CA-15	1-1/2"	1.43	36.3
BL3CA-20	G3CA-20	2"	1.68	42.7
BL3CA-25	G3CA-25	2-1/2"	2.20	56.0
BL3CA-30	G3CA-30	3"	2.36	60.0
BL3CA-40	N/A	4"	2.76	70.0



Coupling - FPT

Black	Galvanized	Size	W	
			in	mm
BL3C-02	G3C-02	1/4"	1.37	34.8
BL3C-03	G3C-03	3/8"	1.62	41.4
BL3C-05	G3C-05	1/2"	1.87	47.5
BL3C-07	G3C-07	3/4"	2.12	53.8
BL3C-10	G3C-10	1"	2.37	60.2
BL3C-12	G3C-12	1-1/4"	2.87	72.9
BL3C-15	G3C-15	1-1/2"	2.87	72.9
BL3C-20	G3C-20	2"	3.62	91.9
BL3C-25	G3C-25	2-1/2"	4.12	104.6
BL3C-30	G3C-30	3"	4.12	104.6
BL3C-40	G3C-40	4"	4.25	108.0



BOSHART
INDUSTRIES

© 2020 Boshart Industries Inc. All Rights Reserved.

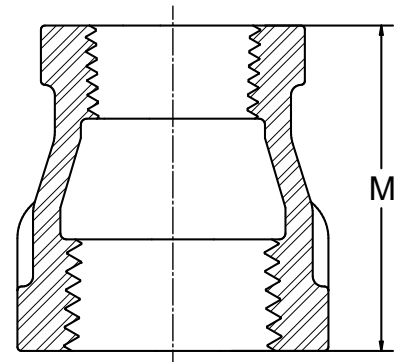
25 Whaley Avenue, PO Box 310, Milverton, ON CANADA N0K 1M0
Tel: 800-561-3164

boshart.com ♦ blog.boshart.com

CLASS 300 BLACK & GALVANIZED MALLEABLE IRON FITTINGS

Reducing Coupling - FPT

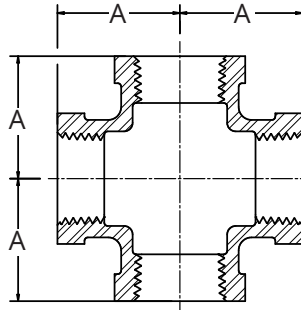
Black	Galvanized	Size	M	
			in	mm
BL3RC-0302	G3RC-0302	3/8" x 1/4"	1.44	36.6
BL3RC-0502	G3RC-0502	1/2" x 1/4"	1.69	42.9
BL3RC-0503	G3RC-0503	1/2" x 3/8"	1.69	42.9
BL3RC-0702	G3RC-0702	3/4" x 1/4"	1.75	44.5
BL3RC-0703	G3RC-0703	3/4" x 3/8"	1.75	44.5
BL3RC-0705	G3RC-0705	3/4" x 1/2"	1.75	44.5
BL3RC-1002	N/A	1" x 1/4"	2.00	51.0
BL3RC-1003	N/A	1" x 3/8"	2.00	51.0
BL3RC-1005	G3RC-1005	1" x 1/2"	2.00	50.8
BL3RC-1007	G3RC-1007	1" x 3/4"	2.00	50.8
BL3RC-1205	G3RC-1205	1-1/4" x 1/2"	2.38	60.5
BL3RC-1207	G3RC-1207	1-1/4" x 3/4"	2.38	60.5
BL3RC-1210	G3RC-1210	1-1/4" x 1"	2.38	60.5
BL3RC-1505	G3RC-1505	1-1/2" x 1/2"	2.69	68.3
BL3RC-1507	G3RC-1507	1-1/2" x 3/4"	2.69	68.3
BL3RC-1510	G3RC-1510	1-1/2" x 1"	2.69	68.3
BL3RC-1512	G3RC-1512	1-1/2" x 1-1/4"	2.69	68.3
BL3RC-2005	G3RC-2005	2" x 1/2"	3.19	81.0
BL3RC-2007	G3RC-2007	2" x 3/4"	3.19	81.0
BL3RC-2010	G3RC-2010	2" x 1"	3.19	81.0
BL3RC-2012	G3RC-2012	2" x 1-1/4"	3.19	81.0
BL3RC-2015	G3RC-2015	2" x 1-1/2"	3.19	81.0
BL3RC-2515	G3RC-2515	2-1/2" x 1-1/2"	3.69	93.7
BL3RC-2520	G3RC-2520	2-1/2" x 2"	3.69	93.7
BL3RC-3015	N/A	3" x 1-1/2"	4.06	103.1
BL3RC-3020	G3RC-3020	3" x 2"	4.06	103.1
BL3RC-3025	G3RC-3025	3" x 2-1/2"	4.06	103.1
BL3RC-4020	N/A	4" x 2"	4.38	111.0
BL3RC-4030	G3RC-4030	4" x 3"	4.41	112.0



CLASS 300 BLACK & GALVANIZED MALLEABLE IRON FITTINGS

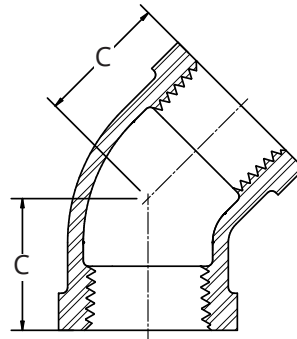
Cross - FPT

Black	Galvanized	Size	A	
			in	mm
BL3CR-02	N/A	1/4"	0.94	24.0
BL3CR-05	G3CR-05	1/2"	1.30	33.0
BL3CR-07	G3CR-07	3/4"	1.49	37.8
BL3CR-10	G3CR-10	1"	1.85	47.0
BL3CR-12	G3CR-12	1-1/4"	2.02	51.2
BL3CR-15	G3CR-15	1-1/2"	2.17	55.0
BL3CR-20	G3CR-20	2"	2.57	65.4



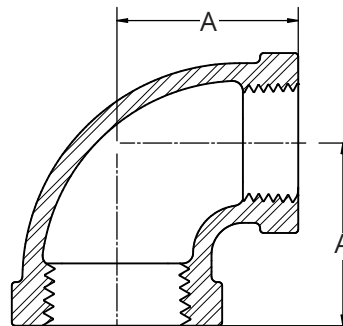
45° Elbow - FPT

Black	Galvanized	Size	C	
			in	mm
BL3E4-02	G3E4-02	1/4"	0.81	20.6
BL3E4-03	G3E4-03	3/8"	0.88	22.3
BL3E4-05	G3E4-05	1/2"	1.00	25.4
BL3E4-07	G3E4-07	3/4"	1.13	28.7
BL3E4-10	G3E4-10	1"	1.31	33.3
BL3E4-12	G3E4-12	1-1/4"	1.50	38.1
BL3E4-15	G3E4-15	1-1/2"	1.69	42.9
BL3E4-20	G3E4-20	2"	2.00	50.8
BL3E4-25	G3E4-25	2-1/2"	2.25	57.1
BL3E4-30	G3E4-30	3"	2.52	64.0
BL3E4-40	G3E4-40	4"	2.80	71.0



90° Elbow - FPT

Black	Galvanized	Size	A	
			in	mm
BL3E-02	G3E-02	1/4"	0.94	23.9
BL3E-03	G3E-03	3/8"	1.06	26.9
BL3E-05	G3E-05	1/2"	1.25	31.7
BL3E-07	G3E-07	3/4"	1.44	36.6
BL3E-10	G3E-10	1"	1.63	41.4
BL3E-12	G3E-12	1-1/4"	1.94	49.3
BL3E-15	G3E-15	1-1/2"	2.13	54.1
BL3E-20	G3E-20	2"	2.52	64.0
BL3E-25	G3E-25	2-1/2"	2.94	74.7
BL3E-30	G3E-30	3"	3.38	85.8
BL3E-40	G3E-40	4"	4.50	114.3



BOSHART
INDUSTRIES

© 2020 Boshart Industries Inc. All Rights Reserved.

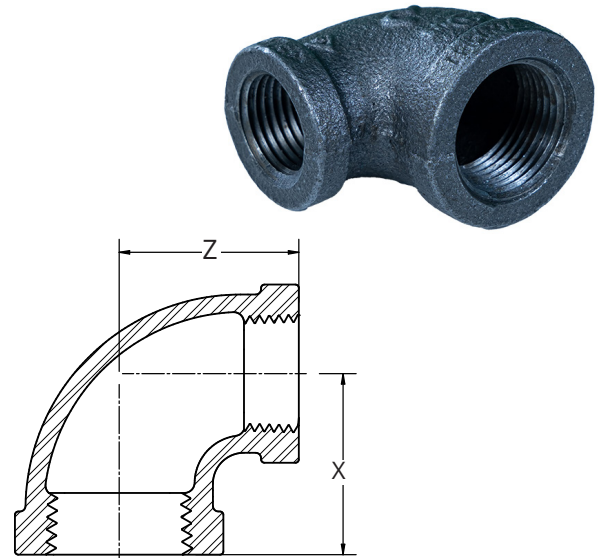
25 Whaley Avenue, PO Box 310, Milverton, ON CANADA N0K 1M0
Tel: 800-561-3164

boshart.com ♦ blog.boshart.com

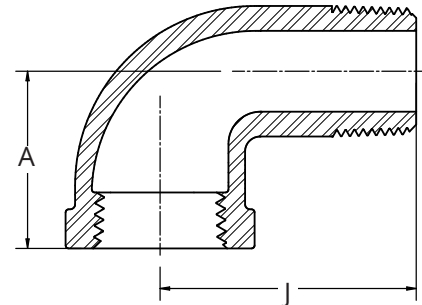
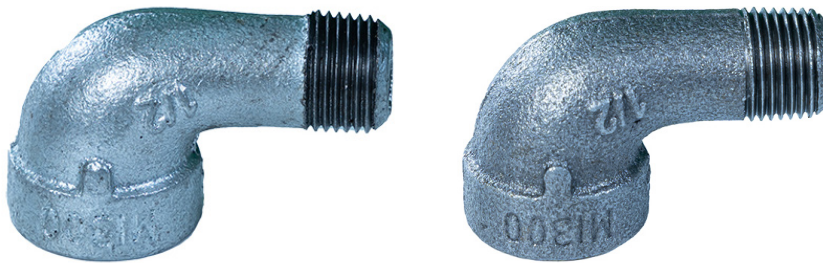
CLASS 300 BLACK & GALVANIZED MALLEABLE IRON FITTINGS

Reducing 90° Elbow - FPT

Black	Size	X		Z	
		in	mm	in	mm
BL3RE-0302	3/8" x 1/4"	0.88	22.4	22.9	26.2
BL3RE-0503	1/2" x 3/8"	1.19	30.2	1.19	30.2
BL3RE-0705	3/4" x 1/2"	1.31	33.3	1.38	35.1
BL3RE-1005	1" x 1/2"	1.47	37.4	1.50	38.0
BL3RE-1007	1" x 3/4"	1.59	40.4	1.52	38.7
BL3RE-1207	1-1/4" x 3/4"	1.63	41.4	1.75	44.5
BL3RE-1210	1-1/4" x 1"	1.75	44.5	1.88	47.0
BL3RE-1510	1-1/2" x 1"	1.88	47.8	2.00	50.8
BL3RE-1512	1-1/2" x 1-1/4"	2.00	50.8	2.06	52.3
BL3RE-2012	2" x 1-1/4"	2.13	54.1	2.31	58.7
BL3RE-2015	2" x 1-1/2"	2.25	57.2	2.38	60.5



90° Street Elbow - FPT x MPT



Black	Galvanized	Size	A		J	
			in	mm	in	mm
BL3SE-02	G3SE-02	1/4"	1.44	36.6	0.94	23.9
BL3SE-03	G3SE-03	3/8"	1.63	41.4	1.06	26.9
BL3SE-05	G3SE-05	1/2"	2.00	50.8	1.25	31.7
BL3SE-07	G3SE-07	3/4"	2.19	55.6	1.44	36.6
BL3SE-10	G3SE-10	1"	2.56	65.0	1.63	41.4
BL3SE-12	G3SE-12	1-1/4"	2.88	73.1	1.94	49.3
BL3SE-15	G3SE-15	1-1/2"	3.13	79.5	2.13	54.1
BL3SE-20	G3SE-20	2"	3.69	93.7	2.52	64.0
BL3SE-30	N/A	3"	3.46	88.0	5.16	131.0



25 Whaley Avenue, PO Box 310, Milverton, ON CANADA N0K 1M0
Tel: 800-561-3164

boshart.com ♦ blog.boshart.com

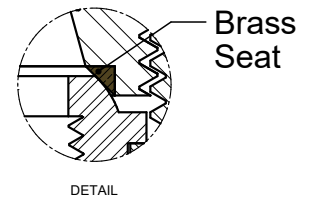
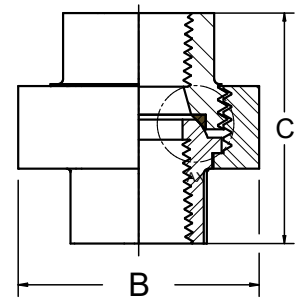
© 2020 Boshart Industries Inc. All Rights Reserved.

CLASS 300 BLACK & GALVANIZED MALLEABLE IRON FITTINGS

Union - FPT

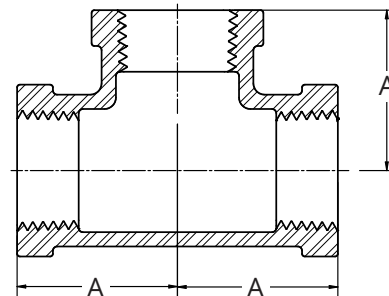
Brass Seat

Black	Galvanized	Size	B		C	
			in	mm	in	mm
BL3U-01	N/A	1/8"	0.93	23.5	1.26	32.0
BL3U-02	G3U-02	1/4"	1.34	34.0	1.56	39.5
BL3U-03	G3U-03	3/8"	1.50	38.0	1.71	43.5
BL3U-05	G3U-05	1/2"	1.75	44.5	1.81	46.0
BL3U-07	G3U-07	3/4"	2.15	54.5	2.13	54.0
BL3U-10	G3U-10	1"	2.48	63.0	2.30	58.5
BL3U-12	G3U-12	1-1/4"	3.01	76.5	2.66	67.5
BL3U-15	G3U-15	1-1/2"	3.29	83.5	2.85	72.5
BL3U-20	G3U-20	2"	3.96	100.5	3.23	82.0
BL3U-25	G3U-25	2-1/2"	4.72	120.0	3.33	84.5
BL3U-30	G3U-30	3"	5.37	136.5	4.09	104.0
BL3U-40	G3U-40	4"	7.01	178.0	4.47	113.5



Tee - FPT

Black	Galvanized	Size	A	
			in	mm
BL3T-02	G3T-02	1/4"	0.94	23.9
BL3T-03	G3T-03	3/8"	1.06	26.9
BL3T-05	G3T-05	1/2"	1.25	31.7
BL3T-07	G3T-07	3/4"	1.44	36.6
BL3T-10	G3T-10	1"	1.63	41.4
BL3T-12	G3T-12	1-1/4"	1.94	49.3
BL3T-15	G3T-15	1-1/2"	2.13	54.1
BL3T-20	G3T-20	2"	2.52	64.0
BL3T-25	G3T-25	2-1/2"	2.94	74.7
BL3T-30	G3T-30	3"	3.38	85.8
BL3T-40	G3T-40	4"	4.13	105.0



BOSHART
INDUSTRIES

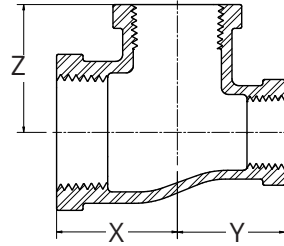
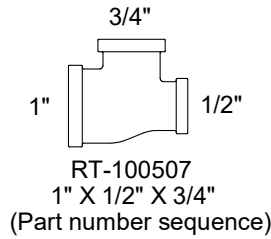
© 2020 Boshart Industries Inc. All Rights Reserved.

25 Whaley Avenue, PO Box 310, Milverton, ON CANADA N0K 1M0
Tel: 800-561-3164

boshart.com ♦ blog.boshart.com

CLASS 300 BLACK & GALVANIZED MALLEABLE IRON FITTINGS

Reducing Tee - FPT



Black	Galvanized	Size	X		Y		Z	
			in	mm	in	mm	in	mm
BL3RT-050502	N/A	1/2" x 1/4" x 1/2"	1.12	28.4	0.98	24.9	1.12	28.4
BL3RT-070505	N/A	3/4" x 1/2" x 1/2"	1.31	33.3	1.25	31.8	1.38	35.1
BL3RT-070507	N/A	3/4" x 1/2" x 3/4"	1.44	36.6	1.38	35.1	1.44	36.6
BL3RT-070702	N/A	3/4" x 3/4" x 1/4"	1.19	30.2	1.19	30.2	1.25	31.8
BL3RT-070703	N/A	3/4" x 3/4" x 3/8"	1.25	32.0	1.25	32.0	1.31	33.0
BL3RT-070705	G3RT-070705	3/4" x 3/4" x 1/2"	1.30	33.0	1.31	33.3	1.38	35.0
BL3RT-100510	G3RT-100510	1" x 1/2" x 1"	1.63	41.4	1.50	38.1	1.63	41.4
BL3RT-100707	N/A	1" x 3/4" x 3/4"	1.50	38.1	1.44	36.6	1.56	39.6
BL3RT-100710	N/A	1" x 3/4" x 1"	1.63	41.4	1.56	39.6	1.63	41.4
BL3RT-101002	N/A	1" x 1" x 1/4"	1.25	31.8	1.25	31.8	1.38	35.1
BL3RT-101005	N/A	1" x 1" x 1/2"	1.44	36.6	1.44	36.6	1.50	38.1
BL3RT-101007	G3RT-101007	1" x 1" x 3/4"	1.50	38.1	1.50	38.1	1.56	39.6
BL3RT-121010	N/A	1-1/4" x 1" x 1"	1.38	44.0	1.63	41.0	1.81	47.0
BL3RT-121205	G3RT-121205	1-1/4" x 1-1/4" x 1/2"	1.63	41.4	1.63	41.4	1.50	38.1
BL3RT-121207	G3RT-121207	1-1/4" x 1-1/4" x 3/4"	1.63	41.4	1.63	41.4	1.75	44.4
BL3RT-121210	G3RT-121210	1-1/4" x 1-1/4" x 1"	1.63	41.4	1.63	41.4	1.81	46.0
BL3RT-151505	G3RT-151505	1-1/2" x 1-1/2" x 1/2"	1.63	41.4	1.63	41.4	1.81	46.0
BL3RT-151507	G3RT-151507	1-1/2" x 1-1/2" x 3/4"	1.69	42.9	1.69	42.9	1.88	47.7
BL3RT-151510	G3RT-151510	1-1/2" x 1-1/2" x 1"	1.81	46.0	1.81	46.0	2.00	50.8
BL3RT-151512	G3RT-151512	1-1/2" x 1-1/2" x 1-1/4"	2.00	50.8	2.00	50.8	2.06	52.3
BL3RT-201520	N/A	2" x 1-1/2" x 2"	2.50	64.0	2.38	60.0	2.50	64.0
BL3RT-202005	G3RT-202005	2" x 2" x 1/2"	1.75	44.4	1.75	44.4	2.06	52.3
BL3RT-202007	G3RT-202007	2" x 2" x 3/4"	1.81	46.0	1.81	46.0	2.13	54.1
BL3RT-202010	G3RT-202010	2" x 2" x 1"	2.00	50.8	2.00	50.8	2.25	57.1
BL3RT-202012	G3RT-202012	2" x 2" x 1-1/4"	2.13	54.1	2.13	54.1	2.38	60.4
BL3RT-202015	G3RT-202015	2" x 2" x 1-1/2"	2.25	57.1	2.25	57.1	2.31	58.7
BL3RT-252515	N/A	2-1/2" x 2-1/2" x 1-1/2"	2.44	62.0	2.44	62.0	2.63	66.8
BL3RT-303020	N/A	3" x 3" x 2"	2.81	71.4	2.81	71.4	3.13	79.5

For more information on installation, adjustment, repair & operation, visit Boshart Knowledge Base at

SUPPORT.BOSHART.COM



25 Whaley Avenue, PO Box 310, Milverton, ON CANADA N0K 1M0
Tel: 800-561-3164

boshart.com ♦ blog.boshart.com